



# FENCING & BREEZEWIRE systems

**What you'll find inside**

Premium Perf fencing

Barr fencing

Aluminium tubular fencing

Quickframe & Alumawall

Zeus security

Breezewire stainless steel wire

v11



# The essentials.

<p>PAGE <b>5</b> <b>Premium Perf fencing system</b></p>	<p>PAGE <b>34</b> <b>BARR fencing</b></p>
<p>PAGE <b>42</b> <b>Tubular pool &amp; boundary fencing system</b></p>	<p>PAGE <b>48</b> <b>Batten fencing</b></p>
<p>PAGE <b>50</b> <b>Quickframe fencing system</b></p>	<p>PAGE <b>80</b> <b>Alumawall retaining wall system</b></p>
<p>PAGE <b>84</b> <b>Zeus security fencing systems</b></p>	<p>PAGE <b>98</b> <b>Zeus security sliding gate system</b></p>
<p>PAGE <b>117</b> <b>Breezewire stainless systems</b></p>	<p>PAGE <b>131</b> <b>Letterboxes</b></p>
<p>PAGE <b>133</b> <b>POSTA characters</b></p>	





Due to space restrictions, not all stock featured in this catalogue is stocked at all depots.

We recommend touching base with your closest depot prior to order placement if unsure.









# PREMIUM PERF FENCING



A NEW, EASY  
'LOW MAINTENANCE'  
FENCING SOLUTION



POOL FENCING COMPLIANT –  
AS1926.1 TESTED  
& COMPLIANT



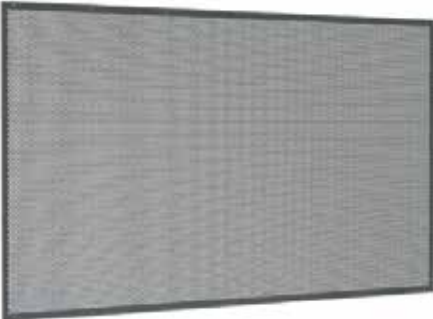
AVAILABLE IN  
BLACK & MONUMENT –  
SHATTER PROOF



TWO STYLISH DESIGNS TO  
CHOOSE FROM – FULL PERF  
OR PALM PATTERN

## 2 styles

FULL PERF



PALM



INSTALL –

## 2 methods

BRACKETS



U CHANNEL FIXING







# WHAT IS PREMIUM PERF?

## Overview

Premium Perf is an innovative new solution in the fencing industry with the added benefit of being pool fencing compliant. Perforated aluminium panels are extremely durable, corrosion resistant and are shatter proof.

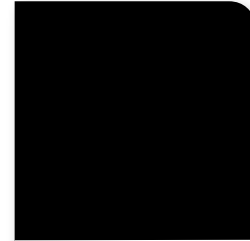
A key feature of Premium Perf is the excellent visibility through the panels resulting from the precision punching of 9mm diameter holes very close together. Additionally, Premium Perf is extremely low maintenance, especially versus glass fencing.

We are committed to excellence and Premium Perf is independently tested to ensure intrinsic strength, structural integrity and importantly for pool fencing, compliance to AS 1926.1. Testing has been conducted and certified by a NATA approved test facility using stringent testing procedures.

Premium Perf is an exciting breath of fresh air and alternative to traditional tubular fencing and glass fencing.

## Outer frame & post finishes —

Genuine Interpon powder coat

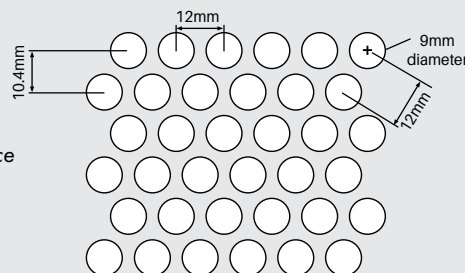


SATIN BLACK  
GN150A (B)



MONUMENT MATT  
GL229A (MN)

\*Infill panels are textured Akzo Nobel powder coat



Hole punch design ensures pool fencing compliance and maximum visibility through panel





# PREMIUM PERF PANELS

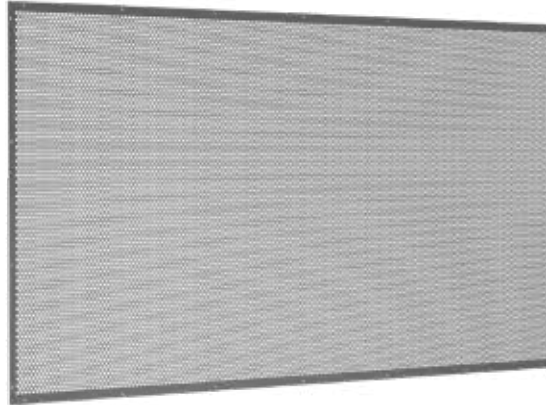
## Premium Full Perf Infill Panel

1988mm W x 1188mm H

**Matt Black & Monument Texture Powder Coat**

Order Code: **PP-PANEL-B/MN**

- Premium marine grade alloy 5052 H32; 2.5mm thick
- Akzo Nobel powder coat: matt black and monument textured
- 9mm diameter precision punched holes
- 22 x 5.2mm diameter border holes to allow fixing to the frame kit
- Excellent visibility through punched panel; great alternative to glass
- Minimal cleaning required + shatter proof
- Pool fence compliant: tested to AS1926.1
- With framing panel is 2000mmW x 1200mmH - framing sold separately
- Height and width adjustable: simply cut to size. Refer 'fabrication overview' section



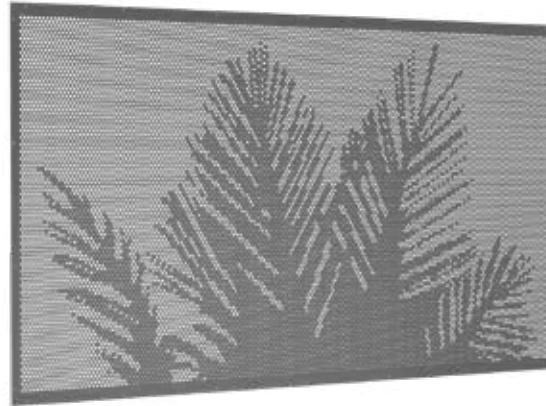
## Premium Deco Perf Infill Panel

1988mm W x 1188mm H

**Matt Black & Monument Texture Powder Coat**

Order Code: **PP-PANEL-PALM-B/MN**

- Premium marine grade alloy 5052 H32; 2.5mm thick
- Decorative punched palm pattern
- Akzo Nobel powder coat: matt black and monument textured
- 9mm diameter punched holes with 5.2mm diameter holes to create palm pattern effect
- 22 x 5.2mm diameter border holes to allow fixing to the frame kit
- Excellent visibility through punched panel; great alternative to glass
- Minimal cleaning required + shatter proof
- Pool fence compliant: tested to AS1926.1
- With framing panel is 2000mmW x 1200mmH - framing sold separately
- Height and width adjustable: simply cut to size. Refer 'fabrication overview' section



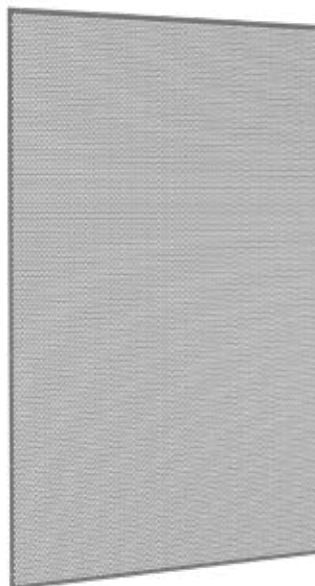
## Premium Full Perf Transition Panel

1288mm W x 1888mm H

**Matt Black & Monument Texture Powder Coat**

Order Code: **PP-PANEL-TRANS-B/MN**

- Premium marine grade alloy 5052 H32; 2.5mm thick
- Akzo Nobel powder coat: matt black and monument textured
- 9mm diameter precision punched holes
- 22 x 5.2mm diameter border holes to allow fixing to the transition frame kit
- Transition panel useful where extra height is required to overcome a step/climb point or similar - often at the beginning or end of a pool fence.
- Matches punch pattern of standard 1188mm high full perf panels ensuring seamless integration with standard panels
- With framing, transition panel is 1300mm W x 1900mm H - framing sold separately - refer special frame kit for transition panels - PP-TRANSKIT-B/MN
- Panel can be cut down in width or height. Refer 'fabrication overview' section.







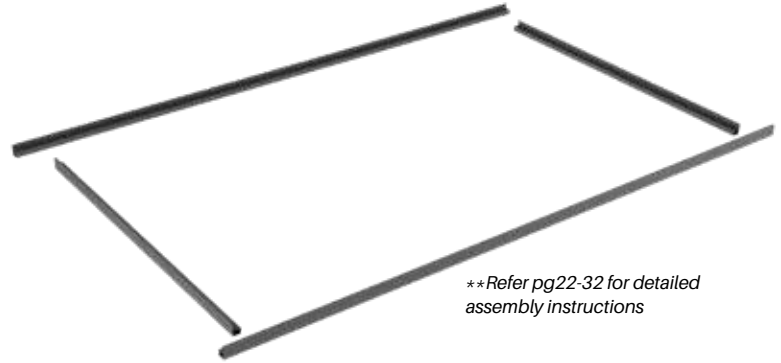
# FRAME KITS & U CHANNELS

## Premium Perf 38x25mm Frame Kit

**Satin Black & Monument powder coat**

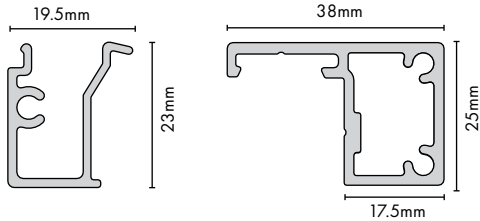
Order Code: **PP-FRAMEKIT-B/MN**

- Kit frames perf infill panel on all 4 sides.
- 2 part frame design enables hidden screw fixing of perf infill panel to frame. Panel fixing screws are covered by snap in cover. Finished frame profile is 38x25mm which suits standard fencing brackets.
- Suits framing of both full perf and deco perf infill panels
- Frame kit enables installing 2 ways: refer 'fabrication overview' for detailed information
  - 1) With shrouds/brackets: when assembled with perf infill panel, standard panel is 1200mm high and suits a 'daylight opening' width between posts of 2150mm.
  - 2) With U Channel fixing: when assembled with perf sheets, standard panel is 1200mm high and suits a 'daylight opening' width of 2012mm. **\*\* (U Channels sold separately)**
- Frame kit is easily height and width adjustable. Simply cut to size.



**\*\*Refer pg22-32 for detailed assembly instructions**

### KIT CONSISTS OF



- |   |   |
|---|---|
| 1) 2 x <b>2147mm</b> long<br>horizontal snap in covers<br>2 x <b>1149mm</b> long<br>vertical snap in covers | 2) 2 x <b>2147mm</b> long<br>horizontal frames<br>2 x <b>1149mm</b> long<br>vertical frames |
|---|---|

**\*\*Wafer screws for fixing infill panel to frame sold separately. Refer code: PP-SCREW-B/MN-50PK**

### INNOVATIVE 2-PART FRAME



#### STEP 1

Place perf infill sheet against centre frame wall



#### STEP 2

Screw off sheet and snap in cover



#### STEP 3

Completed 38 x 25mm profile with hidden screw fixing

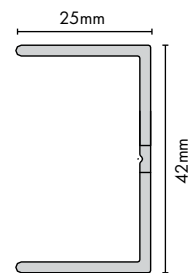
## 45x25.4mm U channels – pack of 2

1200mm long

**Satin Black & Monument powder coat**

Order Code: **PP-U-B/MN-2PK**

- Pack of 2 x U channels; 1200mm long
- 3 x 5mm pre-drilled holes per U channel
- Only required if panels installing via 'U Channel' method (ie not using brackets/shrouds)
- 38x25mm profile perf panel frame fits neatly inside U channels
- U channels are fitted to posts/pillars either side of framed perf panel
- Channels are height adjustable. Simply cut to size.



2 x 1200mm long U channels  
\*2mm wall thickness





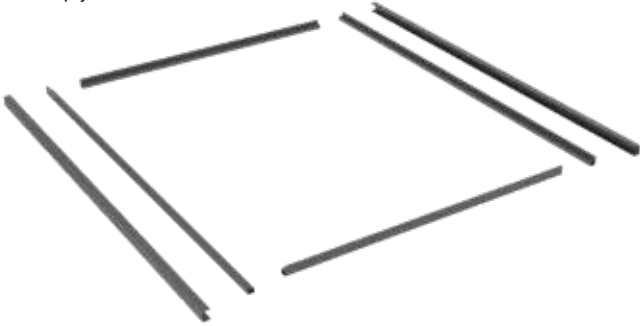
# FRAME KITS & ACCESSORIES

## Premium Perf 38x28mm Transition Panel Frame Kit

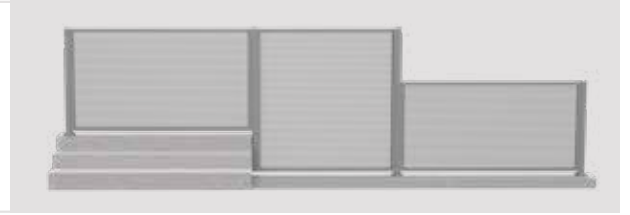
Satin Black & Monument Powder Coat

Order Code: PP-TRANSKIT-B/MN

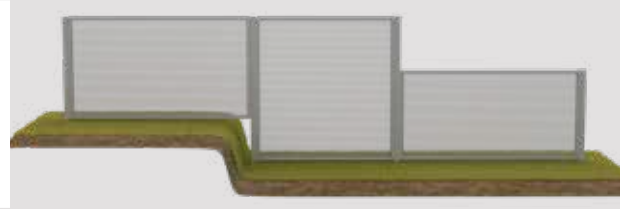
- Framing kit to suit TRANSITION full perf infill panel enabling framed panel size of 1900mm high
- Kit consists of:
  - 2 x 1400mm long horizontal rails with snap in cover
  - 2 x 1849mm long vertical rails with snap in cover
  - 2 x 1900mm long vertical U channels, with 4 x 5mm pre-drilled holes per U channel
- Kit enables installing 2 ways: with shrouds or with U channel. If shrouds used, discard U channels. Refer 'fabrication overview' for detailed information (\*\* for U channel installation, max width is 1312mm 'daylight opening') (\*\* for shroud installation, max width is 1400mm 'daylight opening')
- Frame kit is easily width and height adjustable: simply cut to size.



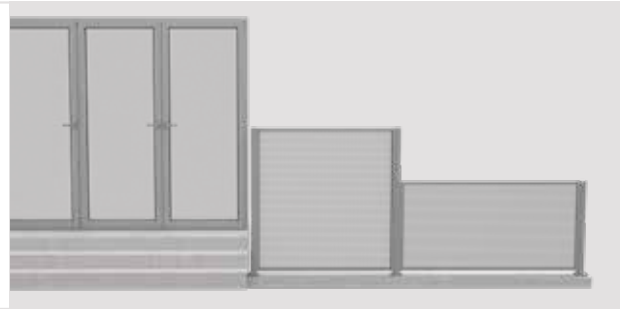
Overcome different levels along fence line



Overcome a stepping point in landscaping



Overcome stepping point issues around fence line



## Self drilling wafer screws

10Gx16mm – BAG OF 50

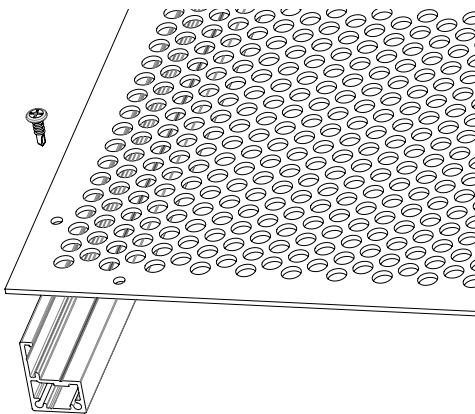
Satin black or Monument heads

Order Code: PP-SCREW-B/MN-50PK

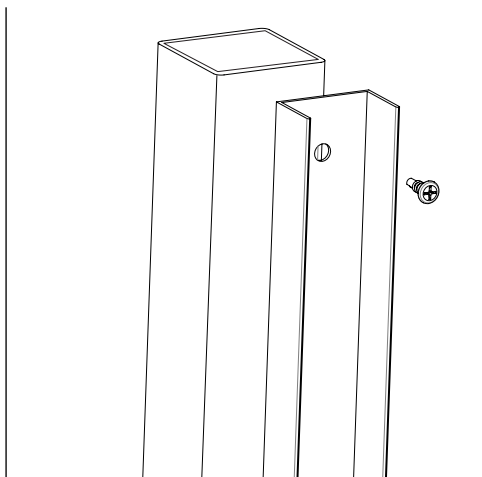
- Bags of 50 - 10G x 16mm self drilling wafer SS304 screw
- Powder coated heads for neat finish
- Screw used for a variety of applications:



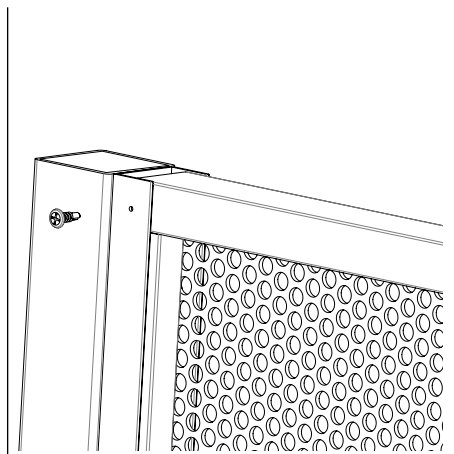
Slimline 2mm Philips drive screw head



1) Fixes perforated infill panel to framing kit  
NOTE: 22 x screws are required to screw-fix perf infill panel to frame kit



2) Fixes U channels to aluminium 50x50mm posts



3) Fixes together U channel to framing kit vertical sides





# GATES

## Premium Perf Gate

975mm W x 1200mm H

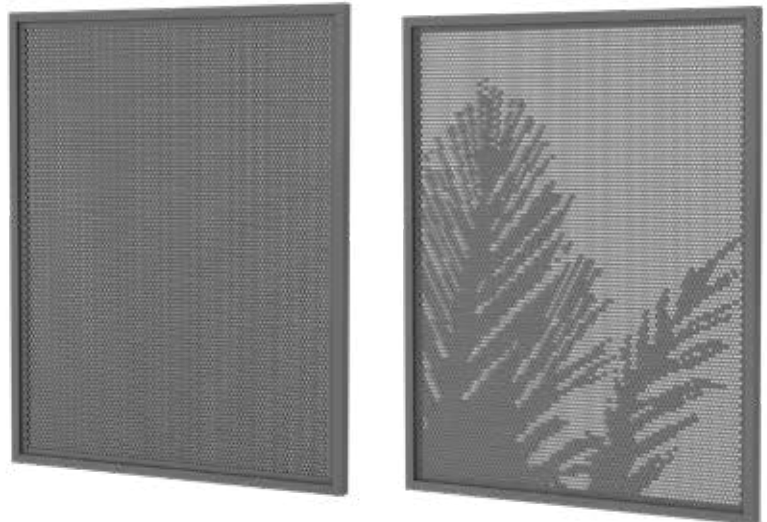
**Matt Black & Monument Texture Powder Coat punched infill**

**Satin Black & Monument Powder Coat framing**

Order Code: **PP-GATE-B/MN (for full perf)**

**PP-GATE-PALM-B/MN (for palm deco pattern)**

- FULLY ASSEMBLED gate with 38x25mm framing:
  - matches panel framing
- 975mm wide x 1200mm high gate
- Premium marine grade alloy sheets:
  - 5052 H32; 2.5mm thick
  - punched 9mm diam holes
  - Akzo Nobel powder coat: matt black or monument textured
- Framing is satin black or monument matt powder coated
- Excellent visibility through punched panel
- Pool fence compliant perf: tested to AS1926.1
- For pool fencing LATCH, gate can be installed with side pull or top pull (refer 'fabrication overview' section).







# POSTS & ACCESSORIES



## 50x50mm core drill post

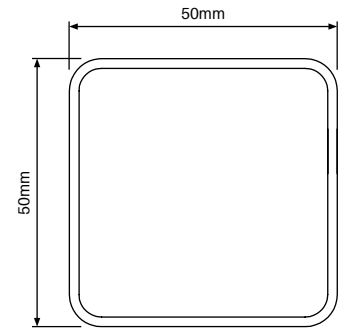
1800mm OR 2100mm H

Satin black & monument powder coat

Order Code: SS-1800-B/MN

SS-2100-B/MN

- 50mm x 50mm core drill post with anchor fin at bottom for sturdy embedment
- 1.8mm wall thickness
- Alloy 6063 - T6
- Free black top cap included



## 50x50mm base plated post

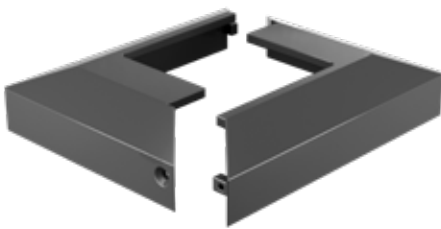
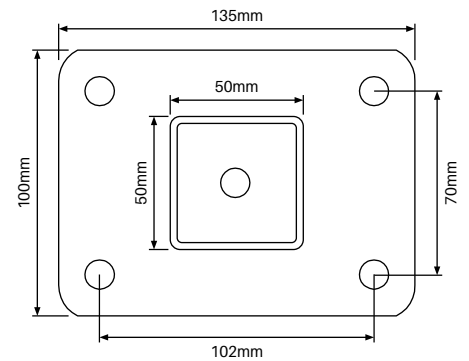
1300mm OR 1600mm H

Satin black & monument powder coat

Order Code: SS-1300-BP-B/MN

SS-1600-BP-B/MN

- 50mm x 50mm post with welded base plate (8mm thick base plate - 4x Ø11mm fixing holes)
- 1.8mm wall thickness
- Alloy 6063 - T6
- Free black top cap included



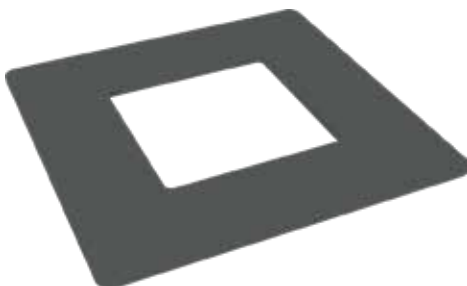
## Two part domical cover

POWDER COATED ALUMINIUM

Satin black & monument powder coat

Order Code: SS-DC-B/MN

- 2 part domical cover for base plated fence post
- Outer dimensions: 140mm L x 106mm H x 30mm H
- Suits 135x100mm base plate (post codes SS-1300-BP-B/MN, SS-1600-BP-B/MN)
- Can be fitted after fence installation



## 50x50mm post dress ring

POWDER COATED ALUMINIUM

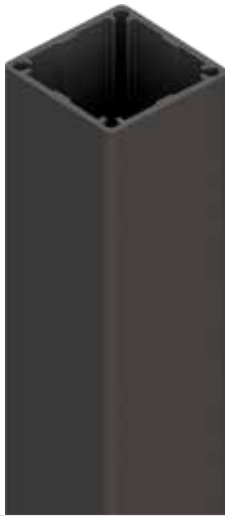
Satin black & monument powder coat

Order Code: XP-DR-B/MN

- Suits 50x50mm core drill posts
- 100mm x 100mm outer - 52mm x 52mm inner



# POSTS & ACCESSORIES



## HEAVY DUTY 50x50mm POST

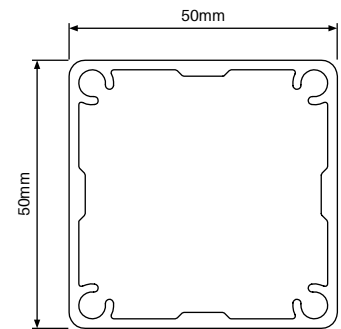
### 50x50mm full post

2400mm OR 6000mm H

Satin black & monument powder coat

Order Code: XP-2400/6000-FP-B/MN

- Alloy 6063 - T6
- 1.8mm wall thickness with 3mm ribs
- Screw flutes to screw on base plate if required
- Provides extra strength compared to standard 1.8mm wall thickness tubular posts
- Free aluminium powder coated press-in top plate included with 2400mm post, caps sold separately for 6000mm long posts



## SUITS XP-2400/6000-FP-B/MN

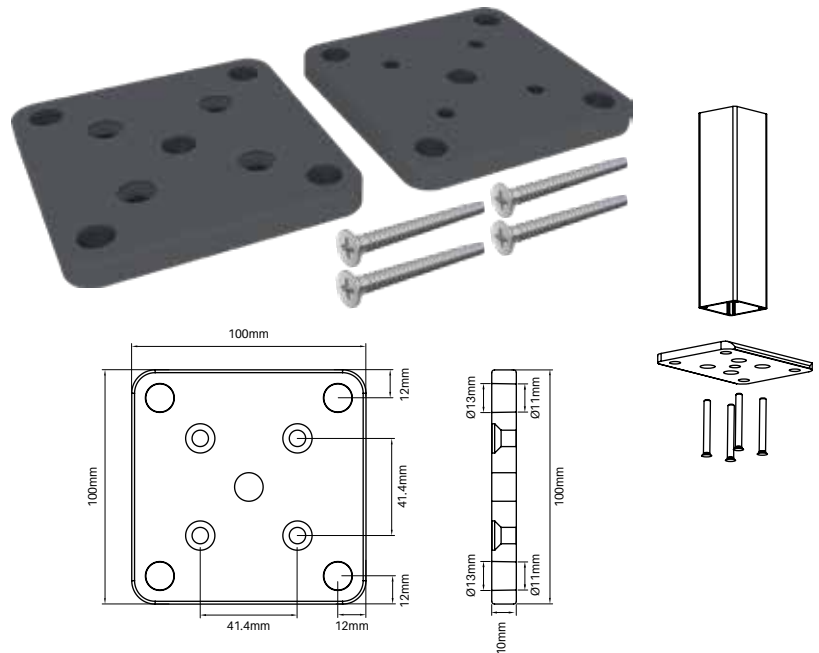
### 50x50mm post base plate set

POWDER COATED ALUMINIUM

Satin black & monument powder coat

Order Code: XP-BP-SET-B/MN

- Simply screw base plate onto core drill post
- Suits XP-2400/6000-FP posts only
- 4x 12G x 50mm long CSK screws included in set
- Suitable for pool fencing load requirements



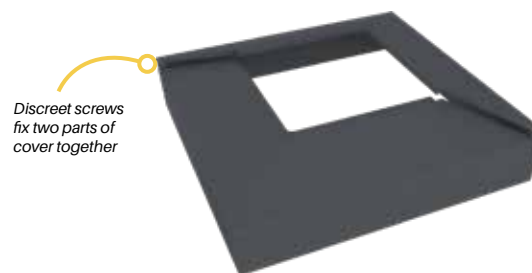
### Two part domical cover

POWDER COATED ALUMINIUM

Satin black & monument powder coat

Order Code: XP-DC-2P-B/MN

- 106x106mm outer - 52x52mm inner - Alloy ADC12
- Suits screw fixed base plated posts - does not suit welded 134x100mm base plated posts
- Cover can be fitted to posts after fence is installed



### 50x50mm post flat top plate

POWDER COATED ALUMINIUM

Satin black & monument powder coat

Order Code: XP-TP-B/MN

- Alloy ADC12 aluminium cap
- Press into post screw flutes for secure fixing
- 2400 long posts come with free top plate included - only purchase if extra top plates are required
- 6000mm long posts do not include top plates.



#### TRADE TIP

65x65mm aluminium posts also available. Refer p55 for more info.





# POSTS & ACCESSORIES



## Horizontal brackets – 4 pack

POWDER COATED ALUMINIUM  
Satin black & monument powder coat

Order Code: SS-BH4-B/MN

- Suitable for 38mm x 25mm perf rail
- 2x fixing holes to post
- Pack includes 4x brackets and 10x self tapping colour matched tek screws



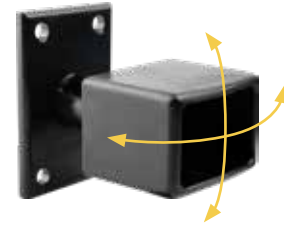
## Vertical bracket

POWDER COATED ALUMINIUM  
Single bracket

Satin black & monument powder coat

Order Code: SS-BV-B/MN

- Suitable for 38mm x 25mm perf rail
- Allows for install of panels at a vertical angle
- 2x fixing holes to post
- Fixing screws not included



## 360° bracket

NYLON  
Single bracket  
Black

Order Code: SS-B360-B

- Suitable for 38mm x 25mm perf rail
- Allows for 360° angle installation (side to side and up and down)
- 4x fixing holes to post
- Fixing screws not included



## Angle bracket

Satin black powder coat

Order Code: SS-BA-B

- Aluminium angle
- Allows for variable angle installation of panels
- 2x fixing holes to post
- An alternative to standard shrouds

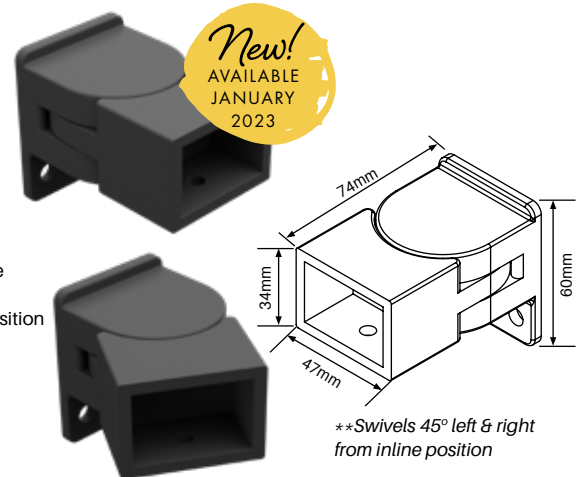
## Horizontal swivel bracket

POWDER COATED  
ALUMINIUM  
SINGLE BRACKET

Satin black & monument powder coat

Order Code: SS-BSWIV-HORIZ-B  
SS-BSWIV-HORIZ-MN

- Suitable for 38x25mm perf rails
- Stylish solution for variable HORIZONTAL angle installation of panels
- Swivels 45 degrees left and right from inline position (total 90 degree angle adjustment)
- 2 x fixing holes to post/wall
- Includes 3 x colour matched tek screws



## Self drilling tek screws

12Gx20mm – BAG OF 100

Satin black & monument powder coat

Order Code: SS-TS-100-B/MN

- Self drilling tek screw featuring integrated thread and drill/cutting tip
- 12G x 20mm tek screw with hex head
- Used in a variety of aluminium fencing applications
- Packed in convenient bags of 100 screws
- Thread and tip not powder coated to ensure proper threading/cutting

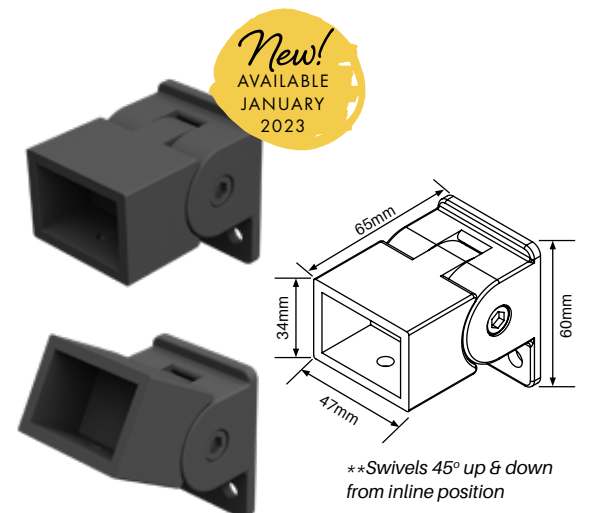
## Vertical swivel bracket

POWDER COATED  
ALUMINIUM  
SINGLE BRACKET

Satin black & monument powder coat

Order Code: SS-BSWIV-VERT-B  
SS-BSWIV-VERT-MN

- Suitable for 38x25mm perf rails
- Stylish solution for variable VERTICAL angle installation of panels
- Swivels 45 degree up and down from straight position (total 90 degree angle adjustment)
- 2 x fixing holes to post/wall
- Includes 3 x colour matched tek screws

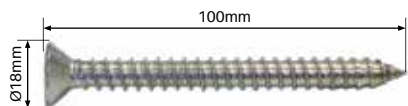




# EXTRAS & ACCESSORIES

We offer a range of stainless steel 316 M10 fixings

## M10 FIXINGS



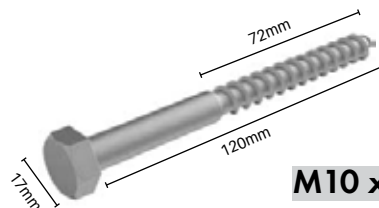
### Counter sunk timber screw – 4 pack

100MM LONG – SS316

(Hex head drive)

Order Code: **CSK-100-4PK**

- Heavy duty self tapping screw for fixing timber - 100mm long with M10 thread - Ø18mm outer head
- Hex head drive
- Countersunk head allows for countersinking of aluminium base plates if required
- Pack of 4



### M10 x 120mm hex coach screw

SS316

Order Code: **S-120COACH**

- Use if base plating to timber substrate
- Ensure timber substrate is suitable for fixing to
- Sold as single screw



### M10 Timber fixing kit

4 PACK – SS316

Order Code: **S-110LAG-4PK**

- M10 x 110mm timber lag screws x4 with nuts and washers
- Pack of 4



### M10 Concrete fixing kit

4 PACK – SS316

Order Code: **S-120ROD-4PK**

- M10 x 120mm concrete threaded rods x4 with nuts and washers
- Pack of 4



### M10 dome nut

PACK OF 4 – SS316

Order Code: **S-M10DN-4PK**

- 4 x dome nuts & split washers
- Suits M10 thread

*Tip: if M10 fixing kit used, discard standard nuts from kit and replace with dome nuts*

## Post plugs

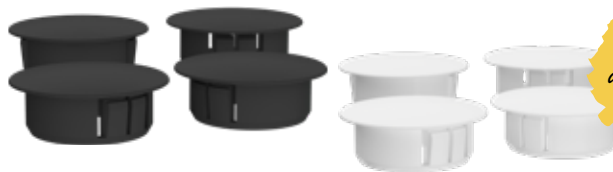
4 PACK

Black or White finish

Order code: **SS-POSTPLUG-4PK**

**SS-POSTPLUG-4PK-W**

- Ø32mm outer top suits 25mm hole
- Ideal for covering hole in post when affixing post to wall with inner fixing
- Suits post wall thickness 1.5mm – 3.2mm



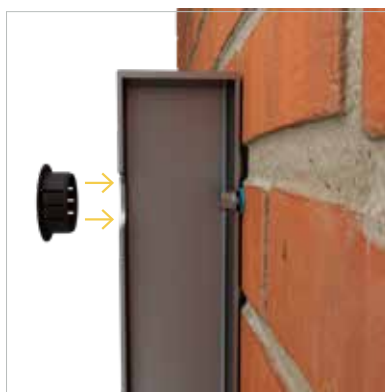
*Now available in white!*



**1** Drill a 25mm diameter hole through front wall of post



**2** Drill rear wall of post with required diameter for fixing and then fix post to wall. Insert appropriate fixing into the wall for affixing post



**3** Once post is fixed to wall with appropriate fixing method, insert post plug to cover the post hole



**4** Repeat the process as required





# POSTS & ACCESSORIES

## Horseshoe Packers

20 PACK

**Black finish**

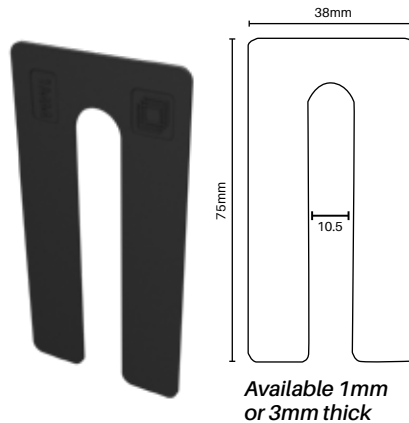
Order Code: **HSP-75X38-1MM-20PK**

1mm thick

**HSP-75X38-3MM-20PK**

3mm thick

- 38mm wide x 75mm long horseshoe packers
- 10.5mm slot
- Available in 1mm or 3mm thick (20 per pack)
- Durable black solid polypropylene
- Handy for levelling adjustments while installing
- Easy to cut down to required length



## Touch up paint

150g SPRAY CAN

**Black & monument**

Order Code:

**PAINT-B/MN**

- Colour match touch up paint
- Simply spray on for minor touch ups



## Flat top cap

**Black polypropylene finish**

Order Code: **SS-TC**

- Suits 50x50mm fencing posts (codes: SS-1800/2100-B/MN & SS-1300/1600-BP-B/MN)
- Internal fit top cap
- Black polypropylene



## Domed top cap

**Black polypropylene finish**

Order Code: **SS-TD**

- Suits 50x50mm tubular fencing posts (codes: SS-1800/2100-B/MN & SS-1300/1600-BP-B/MN)
- Internal fit top cap
- Black polypropylene
- Stylish upgrade to standard flat caps



## CPR sign

Order Code: **CPR**

- Genuine royal life saving society - Australia resuscitation chart
- Plastic coated for durability



## Polaris grout

10kg bag

Order Code:

**GROUT-POL-10KG**

- Non shrink grout
- Rapid setting
- Aggregate free



## Bostik HES grout

20kg bag

Order Code: **GROUT-BOS**

- Non shrink grout
- High early strength



## Sika HES grout

20kg bag

Order Code: **GROUT-SIKA**

- Non shrink grout
- High early strength



## Rapid set concrete

20kg bag

Order Code: **GROUT-RSC**

- For Perth depot, refer code GROUT-KWIKSET)
- Specially formulated to harden rapidly
- Just add water



## Concrete mix

20kg bag

Order Code:

**GROUT-CONCRETE**

- Quality blend of GP cement, aggregate & sand - just add water
- Ideal for high strength concreting of posts



# EXTRAS & ACCESSORIES



## Soudafix CA1400 Chemical anchor

280mL

Order Code: **SOUD-CA1400**

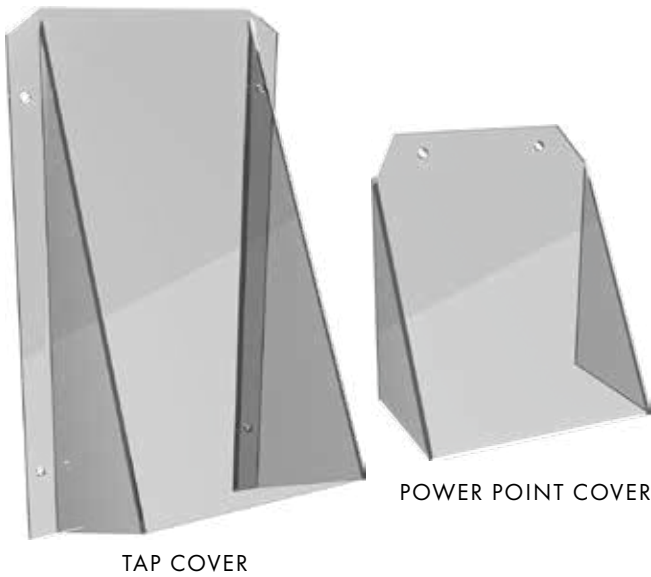
- High performance, two-component chemical anchoring resin for the pressure-free securing of anchoring rods, studs, threaded collars etc
- Easy to use and apply
- Fast cure (20°C=45min full cure; 30°C=25min full cure)
- Vinyl ester styrene free
- Can be used in damp concrete
- Apply with standard caulking gun



## Soudal heavy duty cartridge gun

Order Code: **SOUD-GUN**

- Heavy duty, steel trade quality cartridge gun
- Geared ratio 18:1 for smooth operation and easy application
- Dripless system feature automatically releases pressure to reduce mess/waste
- Suits 300ml silicone cartridges and 280ml chemical anchor



TAP COVER

POWER POINT COVER

## Toe hold prevention covers

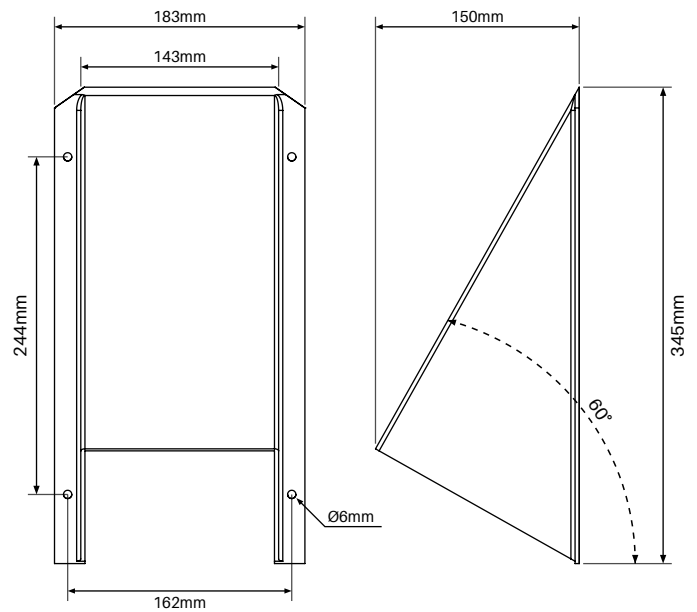
THERMOPLASTIC

Transparent finish

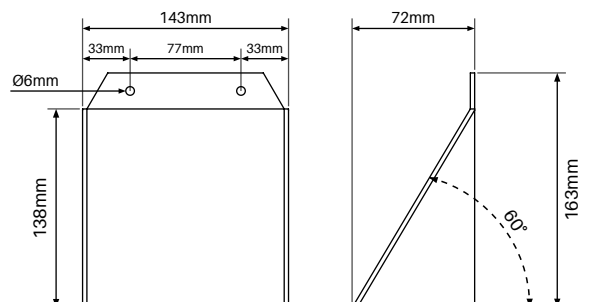
Order Code: **COVER-POWER (Power point cover)**  
**COVER-TAP (Tap cover)**

- Transparent thermoplastic
- Cover features 60 degree angle to prevent a toe hold
- Ideal solution if tap or power point considered a step point
- Resistant to impact & chemicals
- Power point cover comes with 2 x predrilled fixing hole  
Includes 2 x SS316 screws (ST5x40mm) & 2 x wall plugs
- Tap cover comes with 4 x predrilled fixing hole  
Includes 4 x SS316 screws (ST5x40mm) & 4 x wall plugs

### TAP COVER SPECIFICATION



### POWER POINT COVER SPECIFICATION











# GATE HINGES & KITS

**19mm**  
gap spacing

(variable spacing achievable)

**No**  
alignment legs



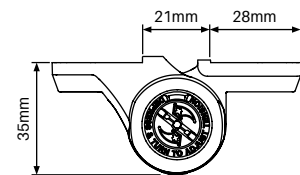
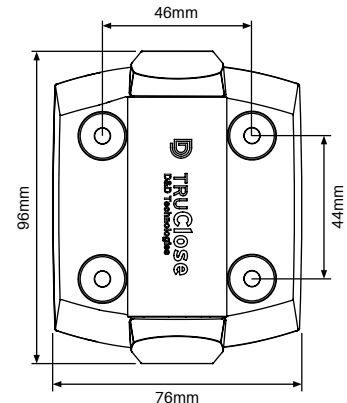
## TruClose® hinge pair

**NO ALIGNMENT LEGS**

Order Code: **TC-H-AT-B (Pair)**  
**BB-TC-H-AT-B (\*Bulk buy)**

D&D code: TCA1S3BT

- D&D patented tension adjustment
- Strong, moulded polymer and stainless steel
- Adjust tension from both ends of the hinge
- No visible fixings
- Decorative trim covers available in black finish
- Super strong engineering polymers and stainless steel components
- Won't rust, bind, sag or stain
- Limited lifetime warranty
- Pool fencing compliant - Rated for **gates up to 30kg**



## Certi cap – Series 3

Order Code: **TC-CAPS3**

D&D code: TCACAP53

- Prevents toe hold on hinge
- Durable polymer material

**No alignment legs on hinge allows for flexibility when positioning gate onto post**

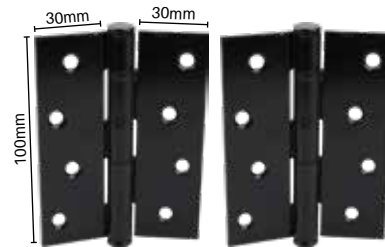
**\*BULK BUY CARTON QTY: 20 PAIRS**

## Butt hinge pair

100MM H x 75MM W

Order Code: **SS-BH10075-B**

- Cost effective where self closing hinge is not required
- Zinc plated steel
- Powder coated black
- Multiple fixing points - Ø6mm holes



**Not pool fencing compliant**



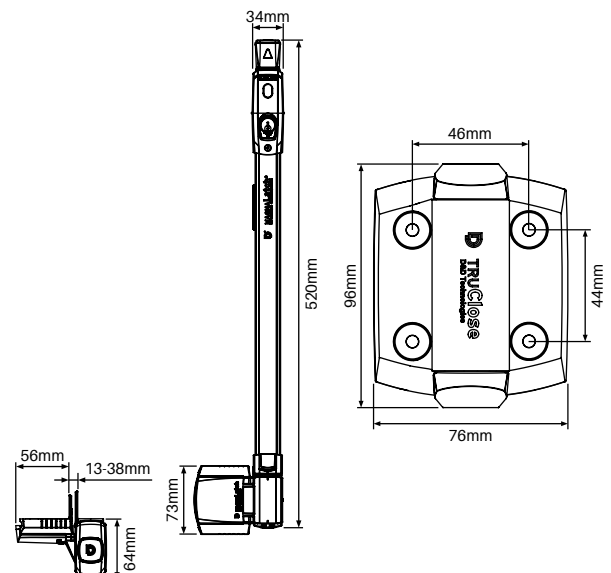
## Magna Latch® with Tru Close® hinge pair

**ADJUSTABLE TENSION**

Order Code: **ML-TL-TC-H-AT (Single)**  
**BB-ML-TL-TC-H-AT (Bulk buy)**

D&D code: MTSTDKS3LA

- Kit includes D&D top pull Magna latch and 2x TRU close hinges
- Patented tension adjustable hinges (TC-H-AT-B version hinges - no alignment legs on hinges provides for flexible installation)
- Pool fencing compliant - Rated to 30kg self close
- Magnetically triggered lockable latch



**\*BULK BUY CARTON QTY: 15 KITS**





# GATE LATCHES

13-38mm  
gap spacing



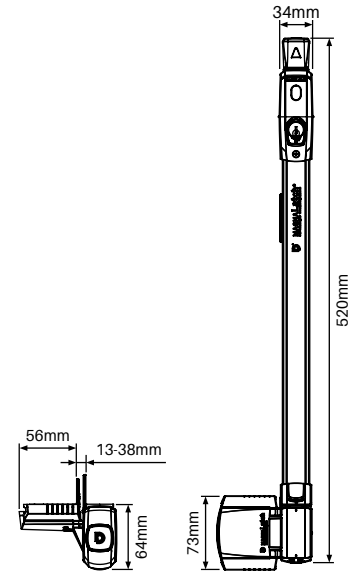
## Top pull lockable latch

Order Code: **ML-TL (Single)**  
**BB-ML-TL (\*Bulk buy)**

D&D code: ML3TPLA

- Magnetically triggered lockable latch
- Improved stylish "Series 3" design
- Adjusts horizontally and vertically
- Includes adjustable striker plate
- D&D Limited lifetime warranty
- Quick and easy installation
- Tested to over 400,000 cycles

\*BULK BUY CARTON QTY: 20PCS



8-10mm  
gap spacing



## Face mount lockable latch

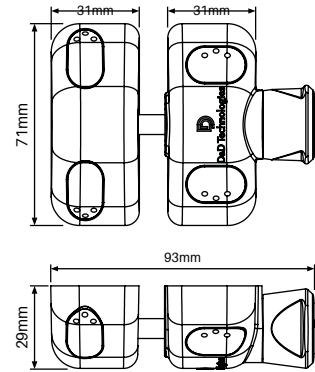
Order Code: **MR-FMLSL (Single)**  
**BB-MR-FMLSL (\*Bulk buy)**

D&D code: MLSPS2L

- Key lockable
- Adjusts horizontally and vertically
- Limited lifetime warranty
- Black polymer

**IMPORTANT NOTE:** To ensure proper stopping position of perf gate, a gate stop must also be used. Refer code SS-GS  
**\*\*TIP:** Also ensure items PP-PACKER-SP is used with side pull per below

\*BULK BUY CARTON QTY: 10PCS

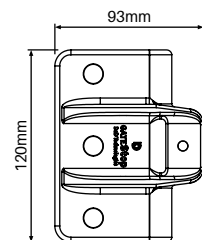


## 3mm PACKER (for side pull latch)

Black polymer finish

Order Code: PP-PACKER-SP

- 3mm black nylon packer with 2 x 35mm long SS304 screws
- Must use packer if installing SIDE PULL LATCH latch with Perf gate. Not required if installing gate with top pull latch.
- Simply place packer under side pull latch on gate frame.
- Packer ensures correct alignment between latch on gate and keeper on post.



## D&D Gate stop

Black polymer finish

Order Code: SS-GS

D&D code: TCGS3

- Ideal gate alignment device
- Prevents damage to latches & hinges
- Greatly reduces gate-slam noise
- Tough, durable polymer + rubber bumper

**IMPORTANT NOTE:** Must use if installing perf gate with side pull latch. Not required if installing with top pull latch.

\*\*TIP: Install at latch height



# GATE LATCHES

10-45mm  
gap spacing



\*Padlock not included

Not pool fencing compliant

**D** D&D Technologies®  
World's most trusted gate hardware

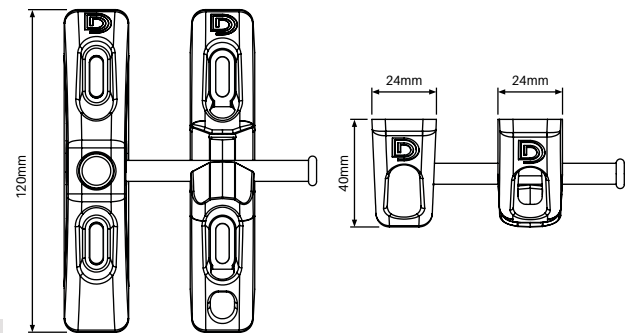
## T latch

Order Code: T-L (Single)  
BB-T-L (\*Bulk buy)

D&D code: TL01

- Padlockable toggle latch
- Lockable from one side only

\*BULK BUY CARTON QTY: 20PCS



10-35mm  
gap spacing

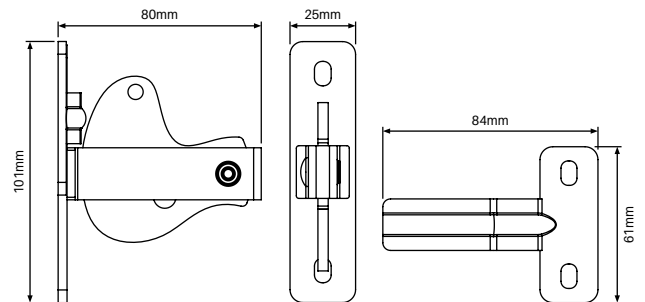


Not pool fencing compliant

## D latch

Order Code: SS-DL-B

- Easy to install D latch and striker
- Includes 4x tek screws
- Cost effective latching solution



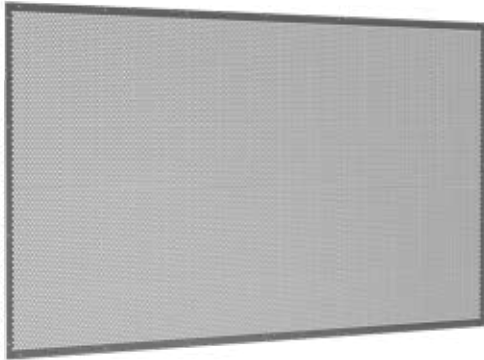






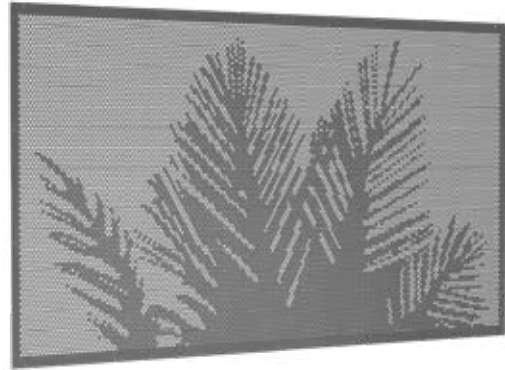
PERFORATED POOL FENCE  
FULL OR DECORATIVE INFILL PANEL  
PREMIUM PERF OUTER FRAME

FABRICATION OVERVIEW

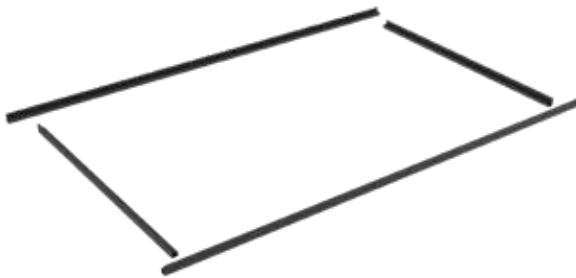


Premium Perf FULL infill panel

OR



Premium Perf DECO infill panel



Premium Perf outer frame



Wafer screws

METHOD 1:



Horizontal Brackets

METHOD 2:



U Channels





## Installation Method Overview

### METHOD 1: Horizontal Bracket Installation



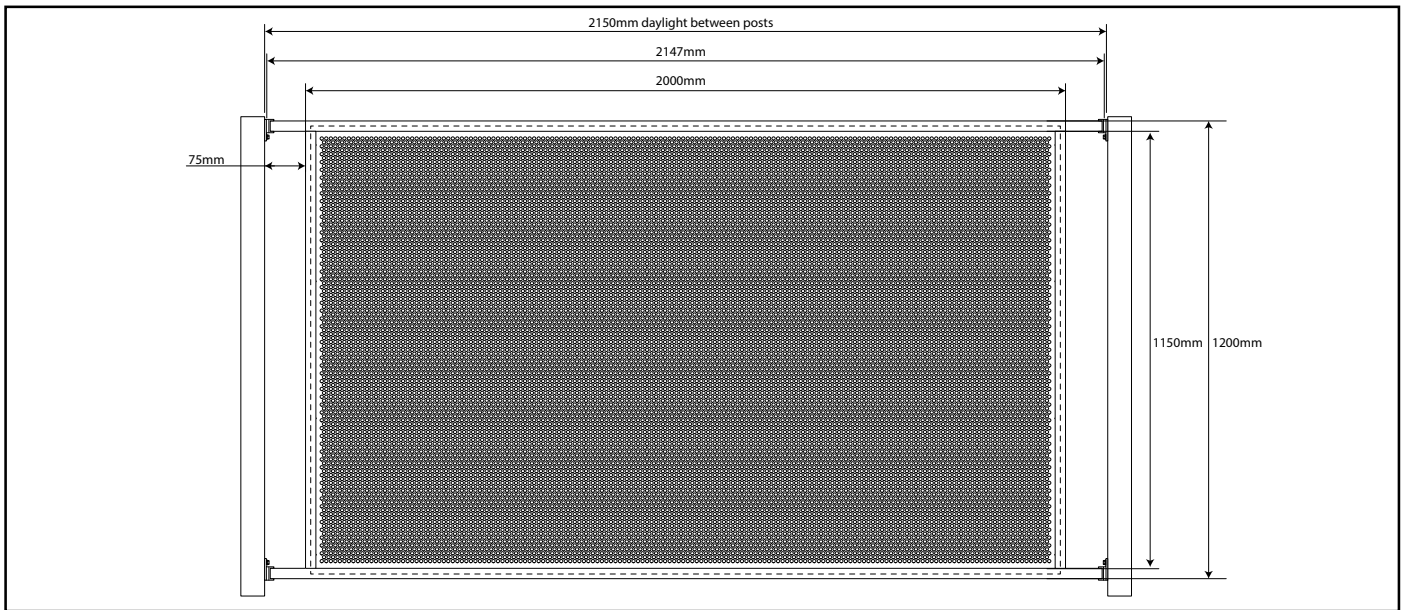
### METHOD 2: U Channel Installation





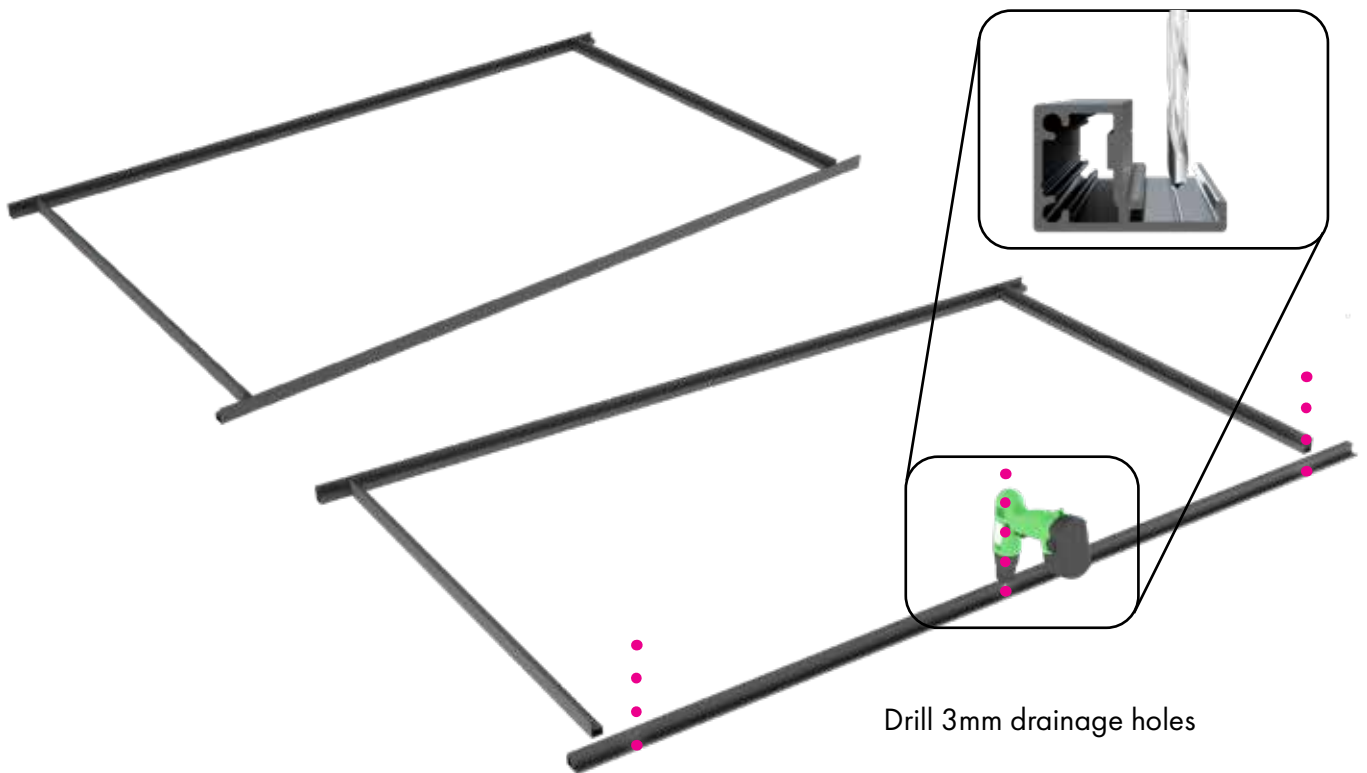
**METHOD 1**

**Premium Perf Pool Barrier Installation – Bracket Fit**  
Based on framed panel size 1200mm H x 2000mm W



**NOTE**

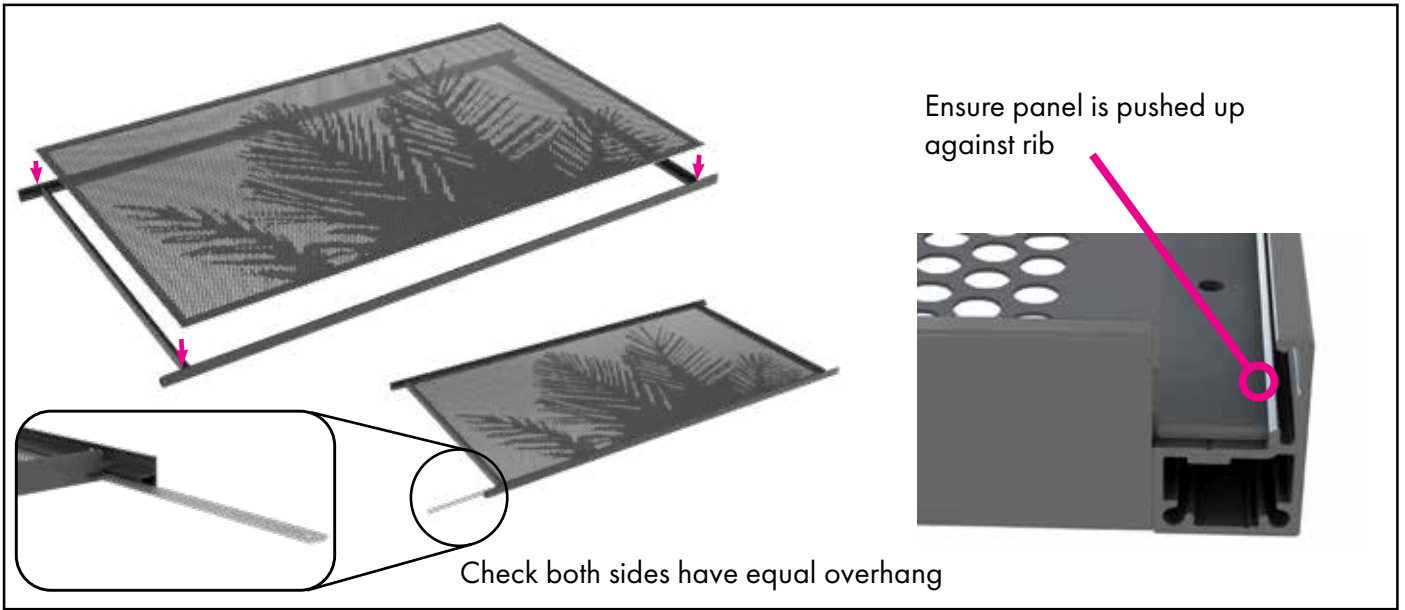
Assembled panels are standard at 2000mm wide x 1200mm high  
As standard, horizontal rails are supplied at 2147mm which provides 75mm 'gap' at each side.  
If altering, the minimum gap allowance is 35mm to allow for Horizontal Brackets.  
As standard, vertical panels stiles are supplied at 1149mm.  
'Daylight' between posts for standard installation is 2150mm.  
For height and width adjustment, refer Appendix 1.



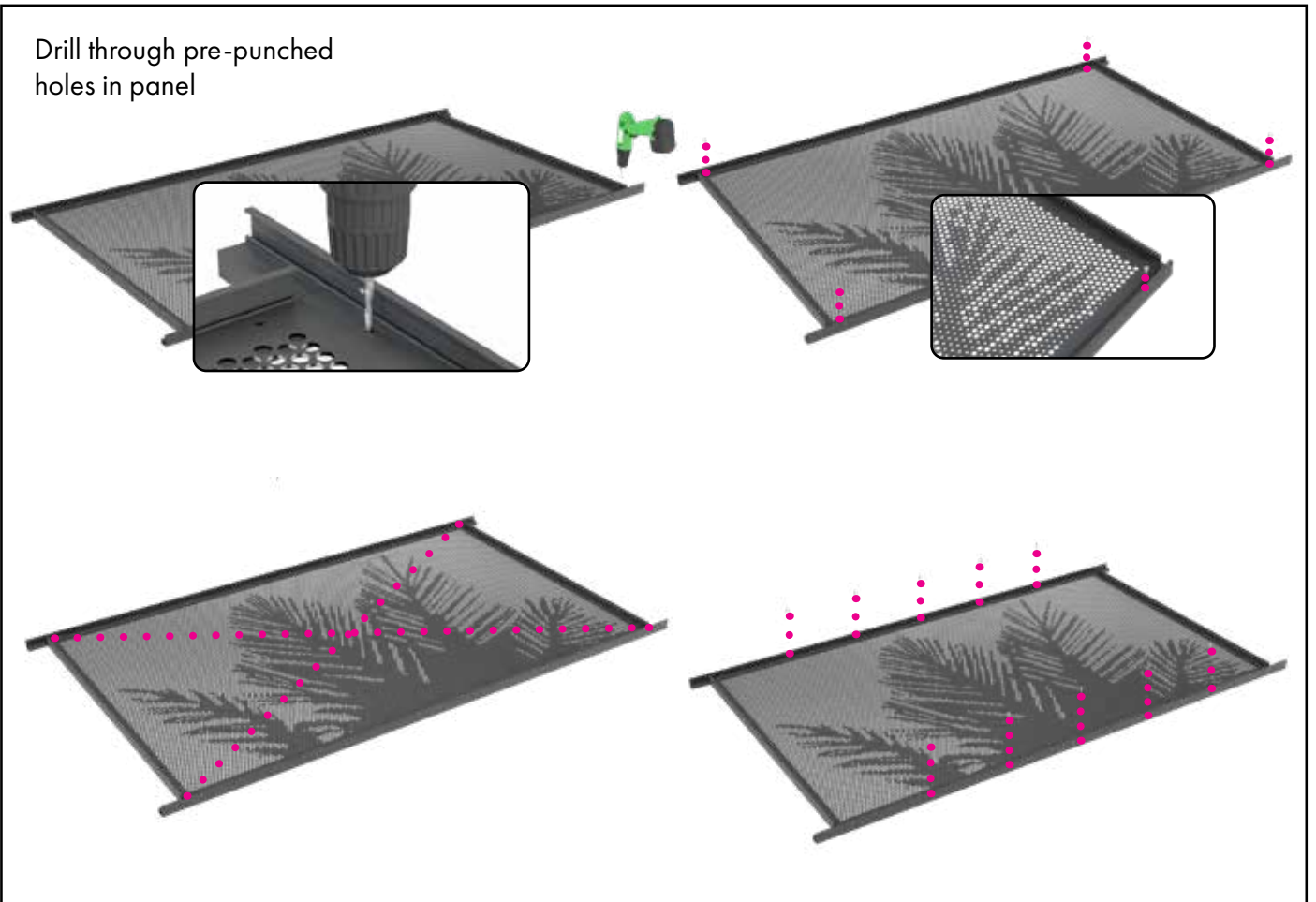
**1**

Lay out rails in picture frame (side rails inside top/bottom rails).  
Drill 3mm drainage holes in bottom rail at 2 ends and midpoint

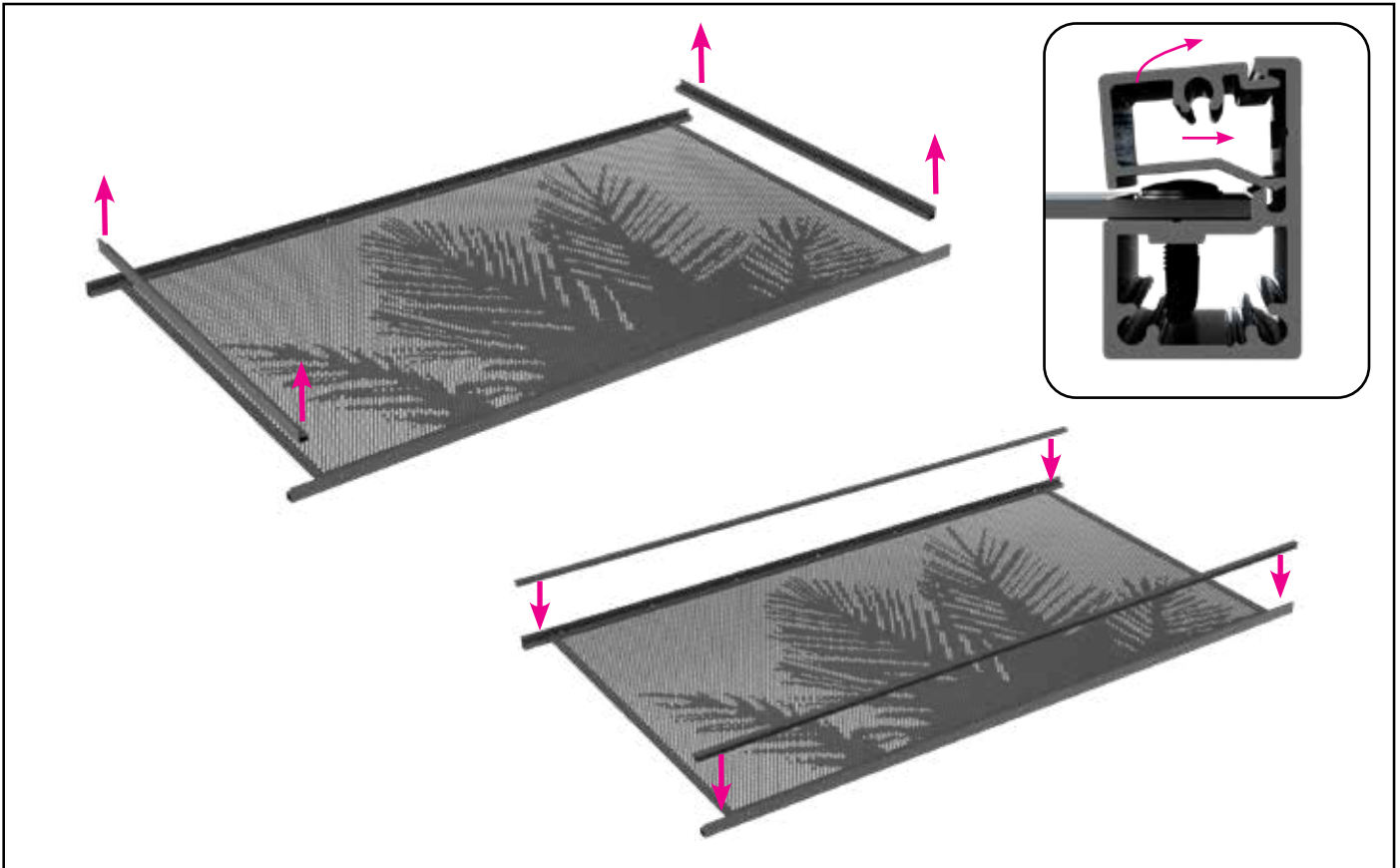




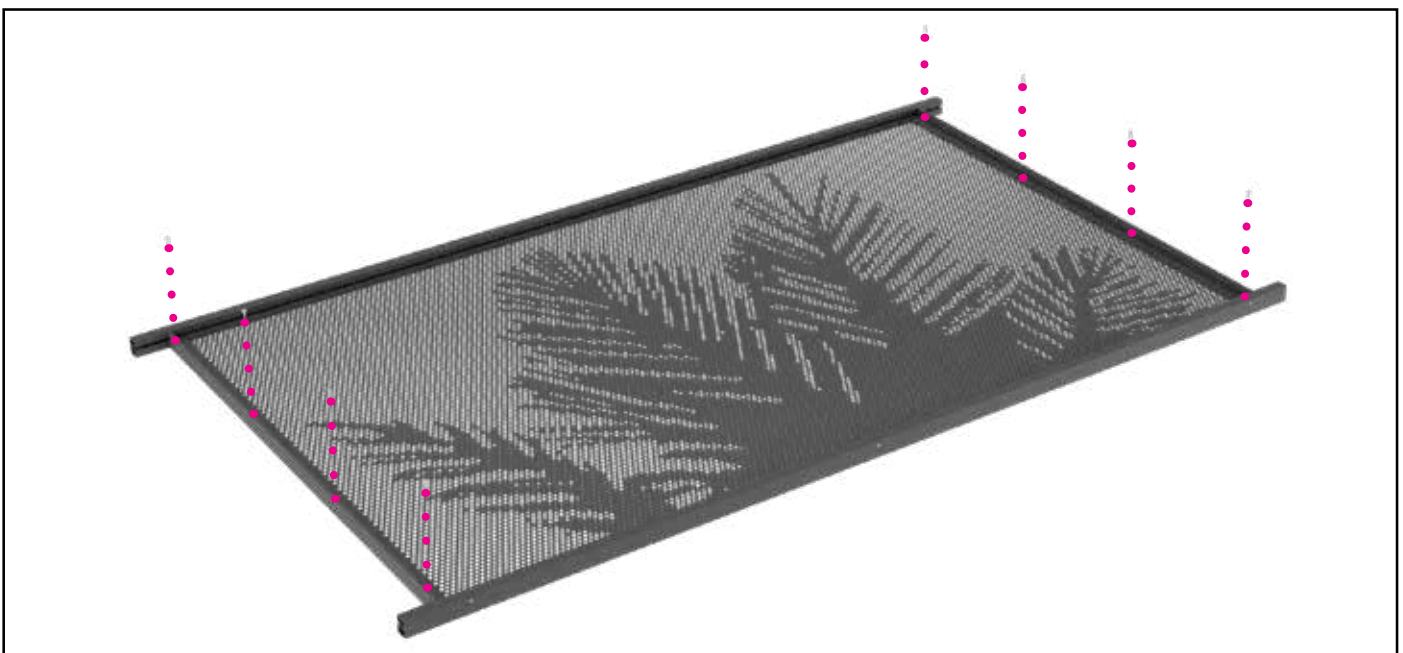
- 2** Place panel in frame rebate, ensuring panel is tight against rail rib on all 4 sides. Check measure top and bottom rail overhang to be equal on both sides and check square.



- 3** Drill 3mm pilot holes into the top and bottom outer frame rebate, aligning with the pre-punched holes in the panel border. Start with the 4 outer holes and affix with self tapping wafer screws and check for squareness. Adjust as necessary before drilling and screwing the remaining holes.

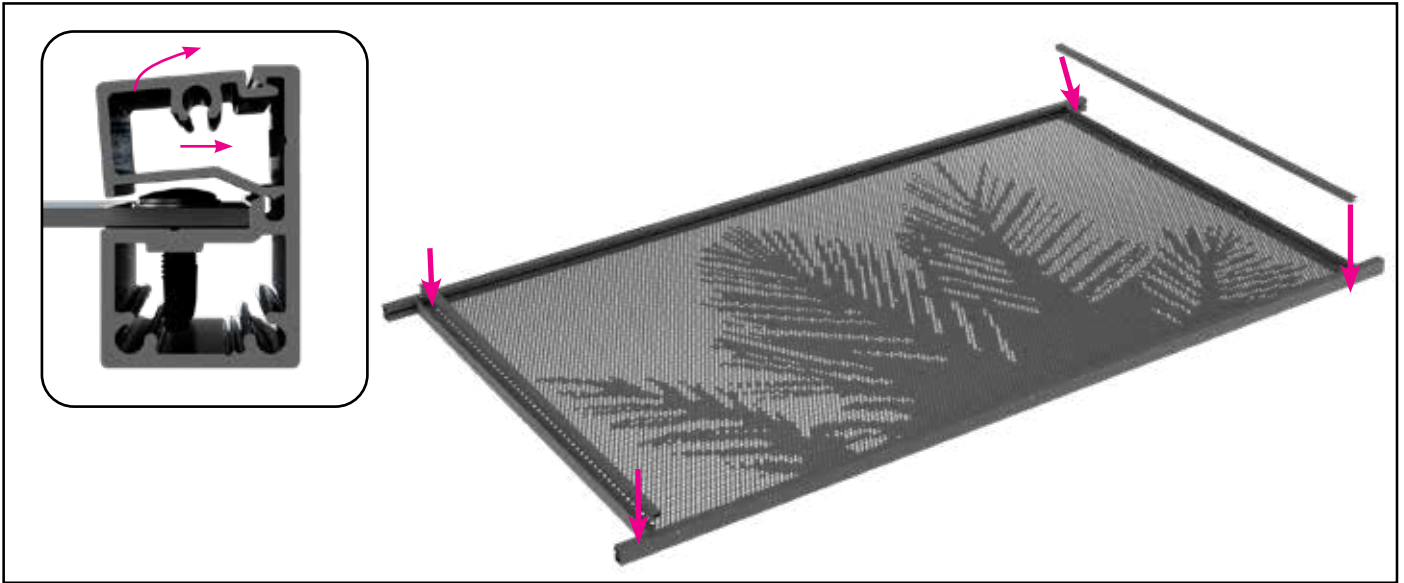


- 4** Remove the side rails from panel temporarily and affix clip bead to top and bottom rail. Return side rails into position and ensure panel is tight against rail ribs (both sides).

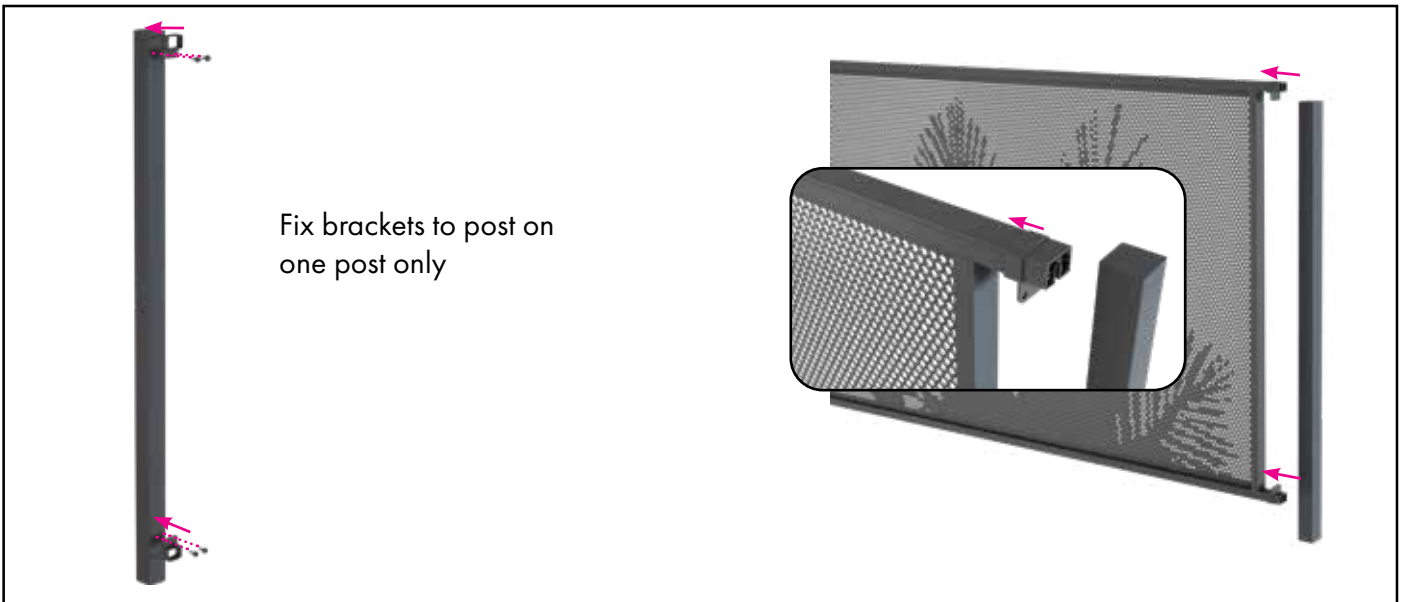


- 5** Drill 3mm pilot holes and affix panel to side rails with self tapping wafer head screws using pre-punched fixing holes. Check panel is square before and after tightening. Adjust as necessary.

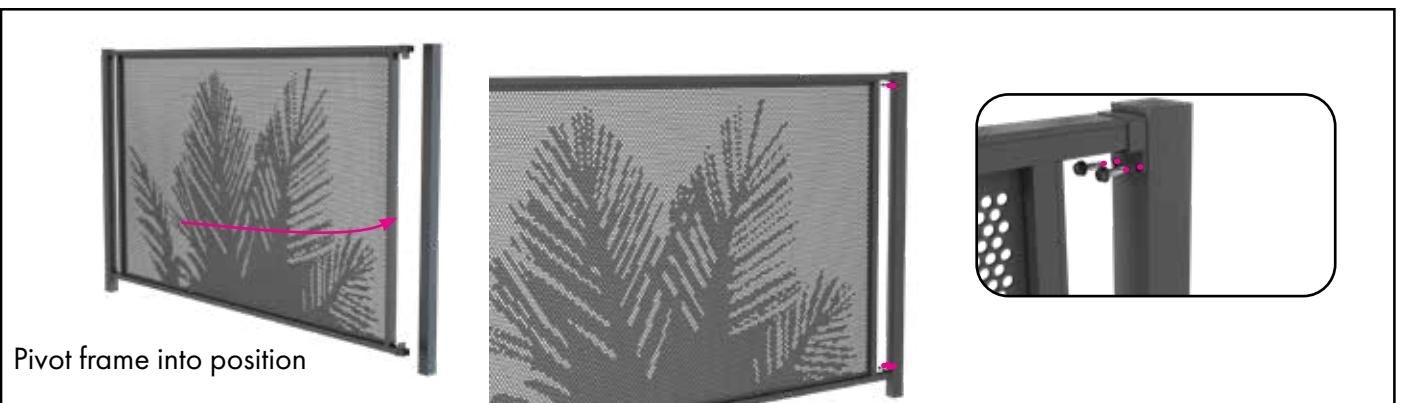




**6** Affix clip bead to side rails



**7** Affix brackets to 1 post (top and bottom) with suitable fixings at the distance of the top and bottom rails of the completed panel, considering the gap between bottom rail and finished ground level. Slide loose brackets onto opposite side top and bottom rail of the complete panel.

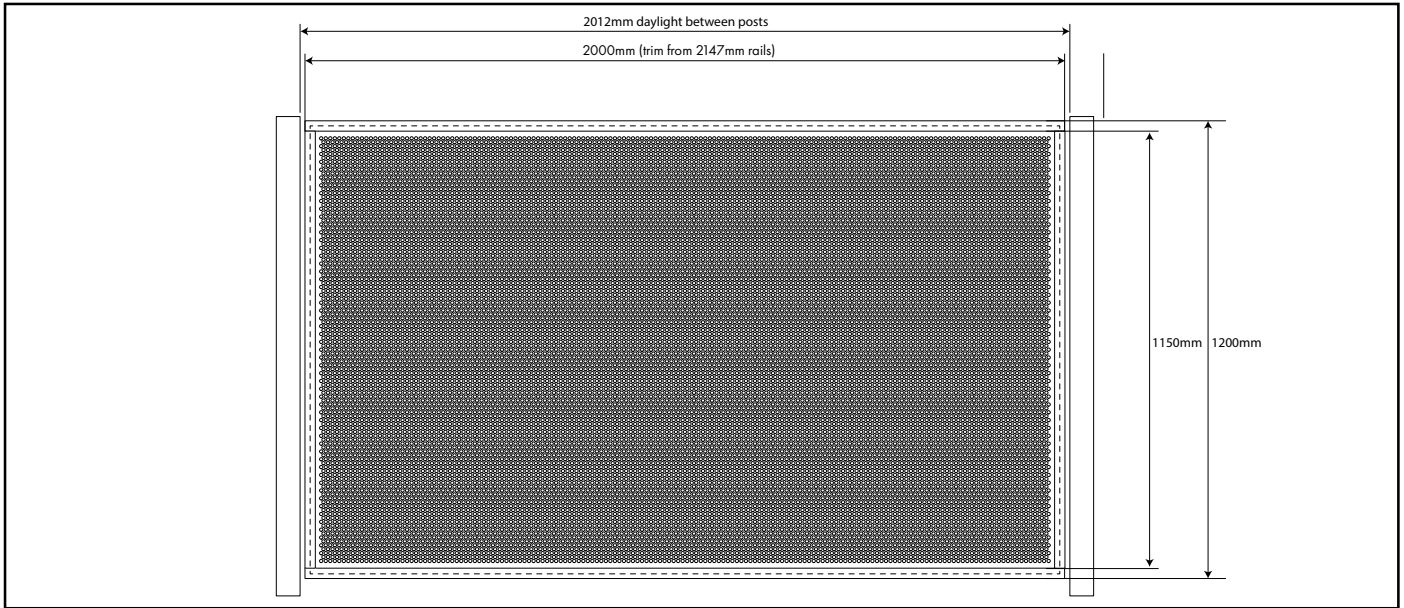


**8** Insert rail into fixed brackets and pivot panel into position. Secure loose brackets onto post and panel with suitable fixings.



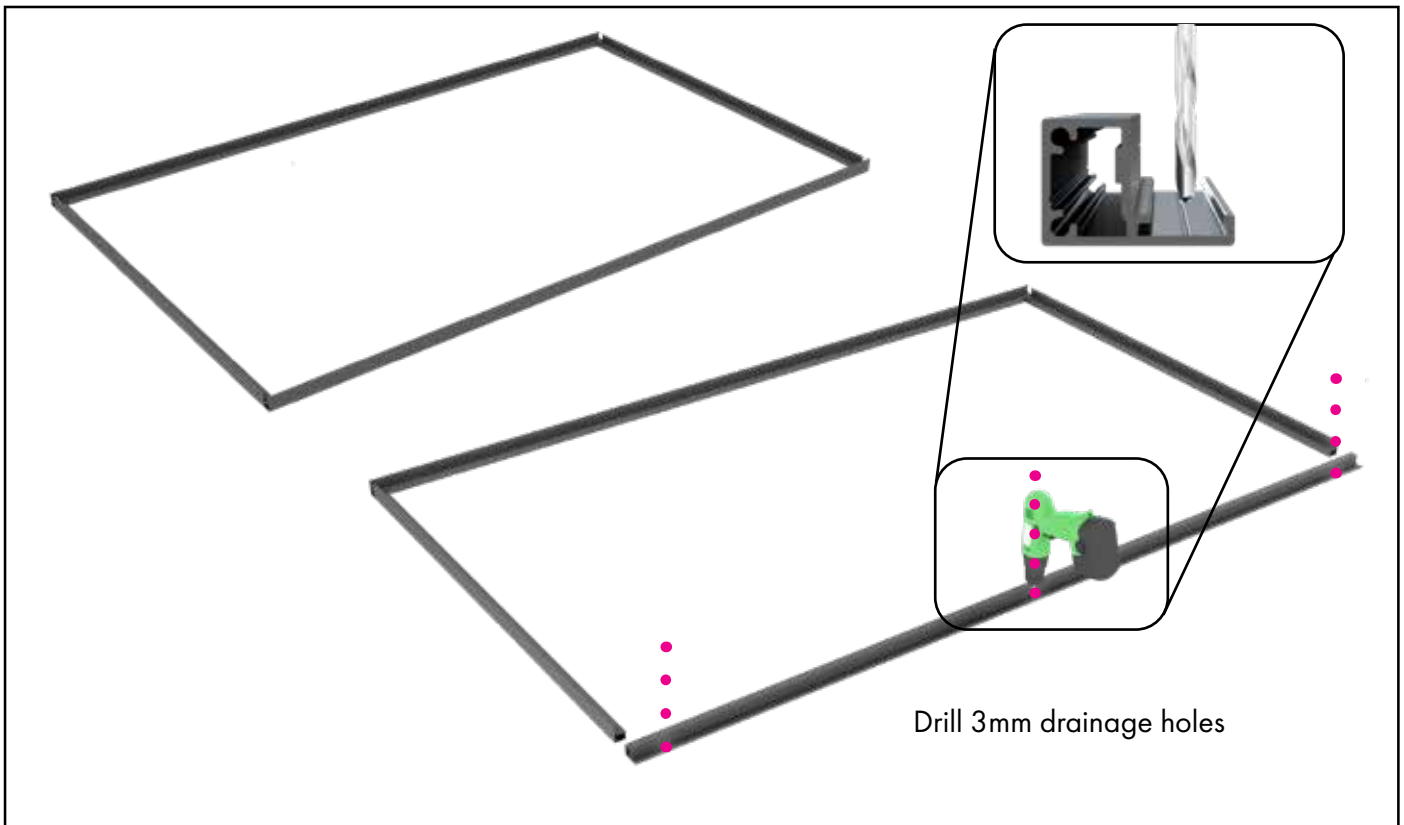
METHOD 2

Premium Perf Pool Barrier Installation – Channel Fit  
Based on completed panel size 1200mm H x 2000mm W



NOTE

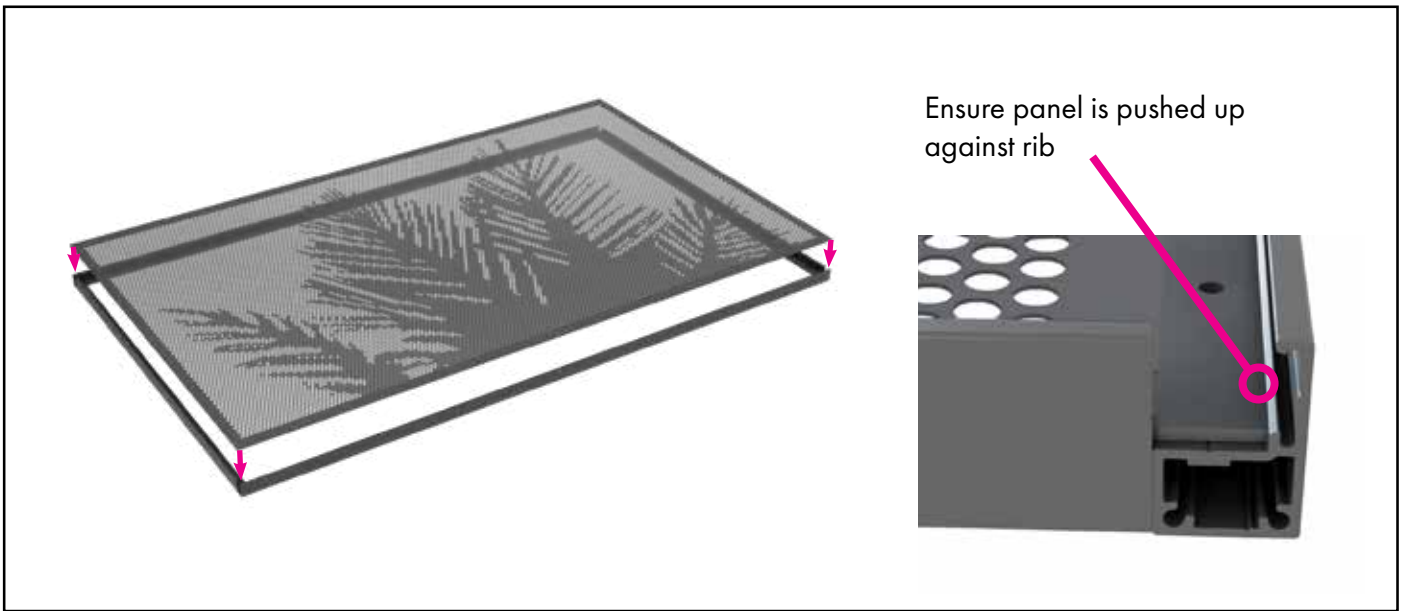
Assembled panels are standard at 2000mm wide x 1200mm high  
As standard, horizontal rails are supplied at 2147mm  
For U Channel Installations, cut horizontal rails to 2000mm wide  
As standard, vertical panels stiles are supplied at 1149mm long  
'Daylight' between posts for standard installation is 2012mm.  
For height and width adjustment, refer Appendix 1.



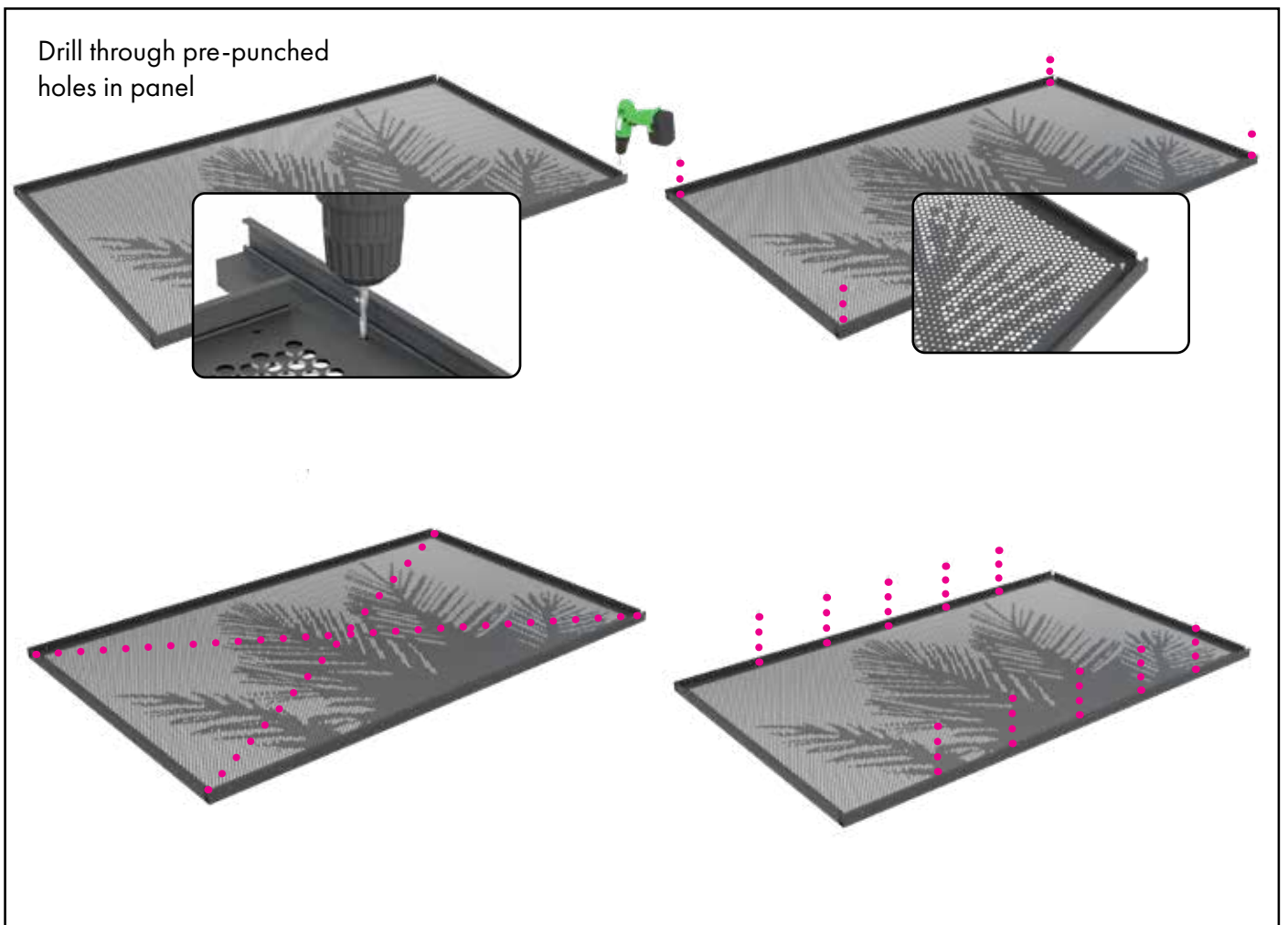
1

Lay out rails in picture frame (side rails inside top/bottom rails).  
Drill 3mm drainage holes in bottom rail at 2 ends and midpoint

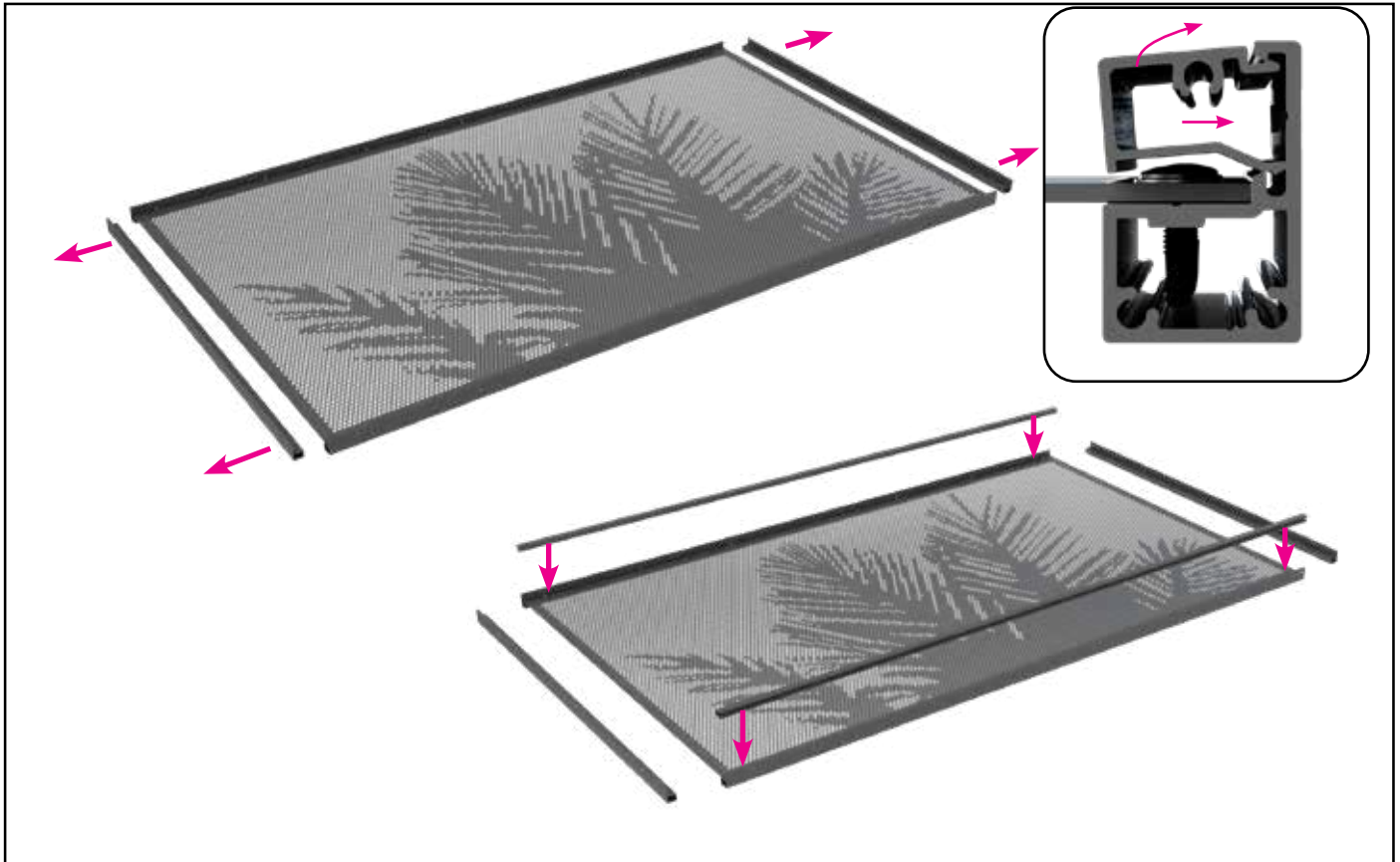




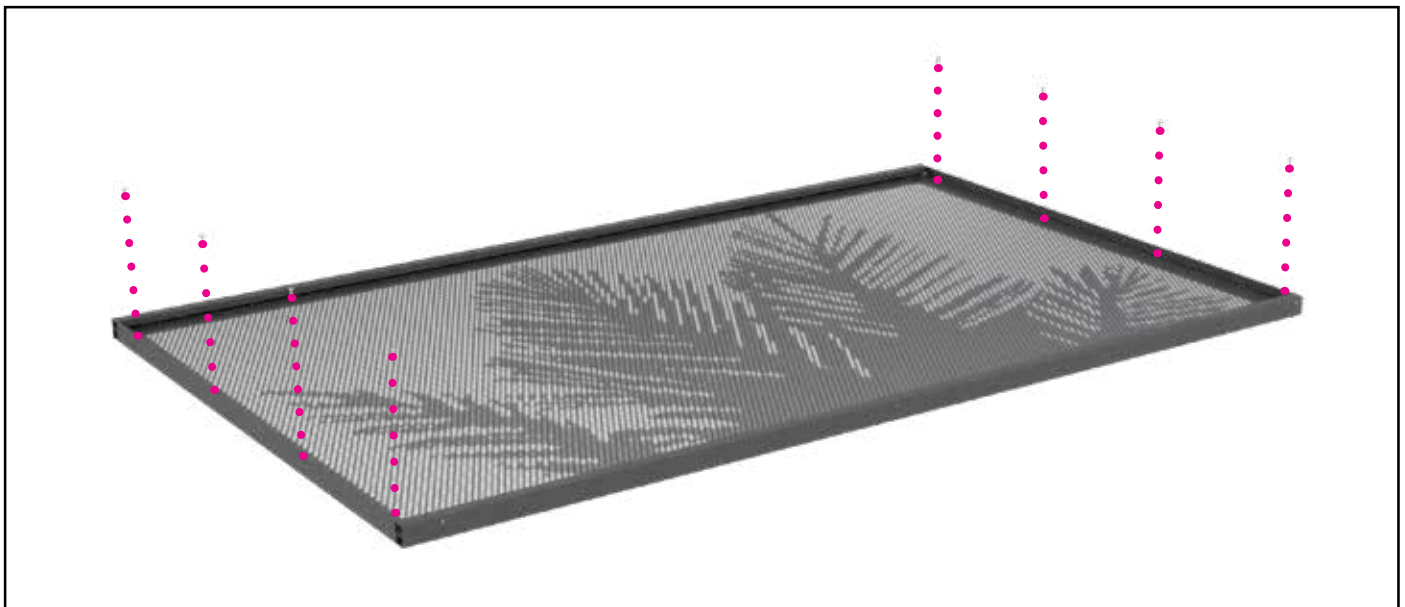
- 2** Place panel in frame rebate, ensuring panel is tight against rail rib on all 4 sides. Check square.



- 3** Drill 3mm pilot holes into the top and bottom outer frame rebate, aligning with the pre-punched holes in the panel border. Start with the 4 outer holes and affix with self tapping wafer screws and check for squareness. Adjust as necessary before drilling and screwing the remaining holes.

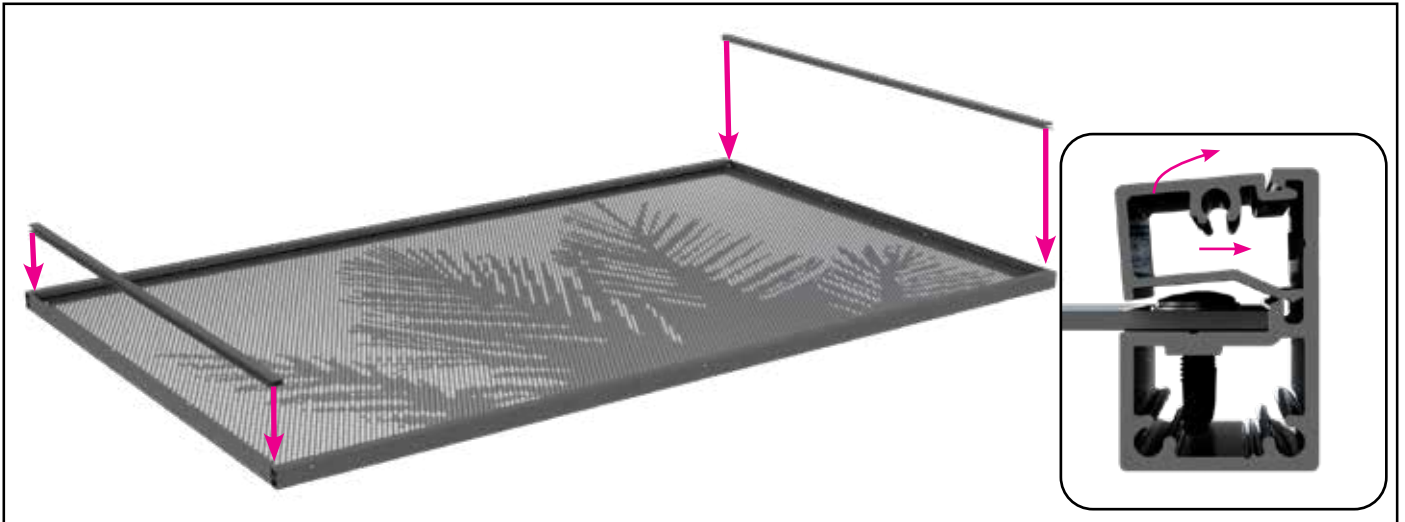


- 4 Remove the side rails from panel temporarily and affix clip bead to top and bottom rail. Return side rails into position and ensure panel is tight against rail ribs (both sides).

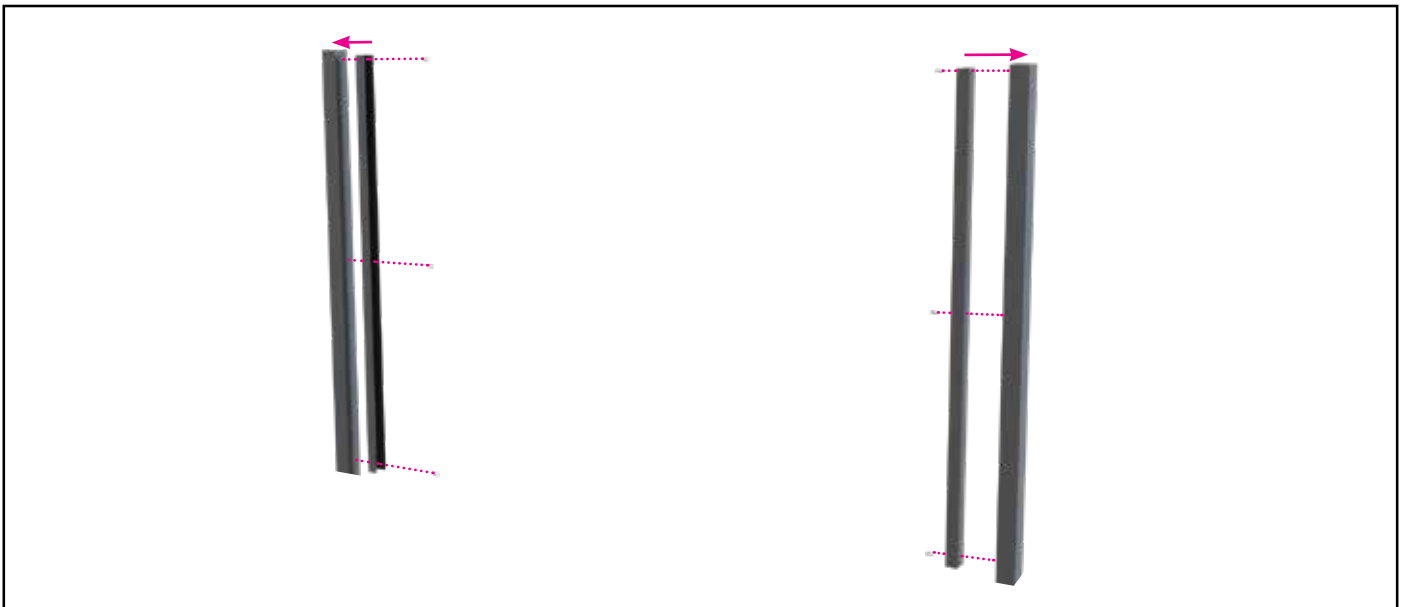


- 5 Drill 3mm pilot holes and affix panel to side rails with self tapping wafer head screws using pre-punched fixing holes. Check panel is square before and after tightening. Adjust as necessary.

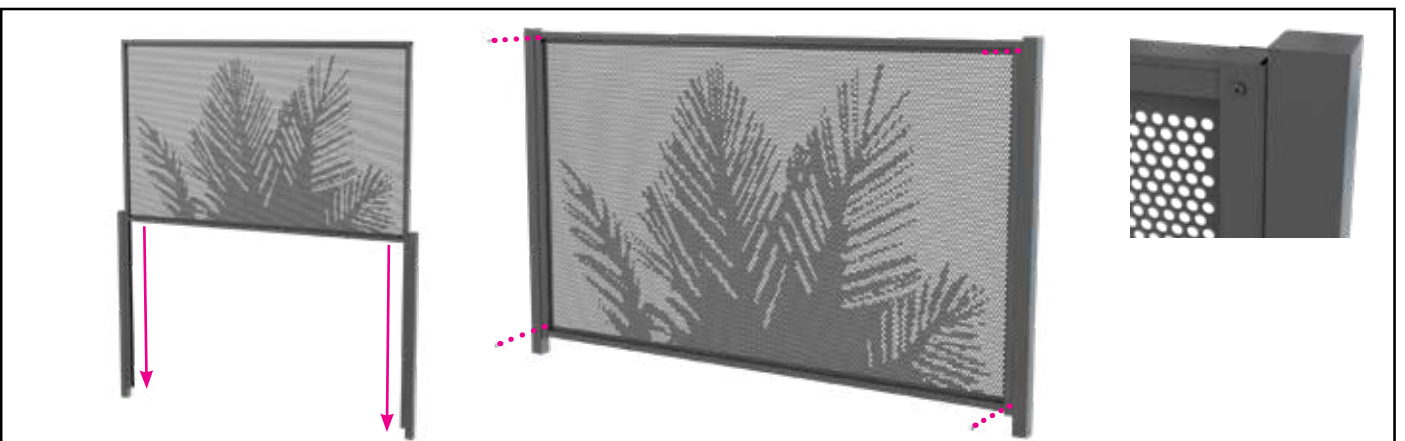




6 Affix clip bead to side rails



7 Screw fix U-Channel to aluminium posts using self tapping wafer head screws, considering the gap between the bottom rail and the finished ground level. Fix off vertical U channel to posts at 3 points – bottom, middle and top.  
NOTE: Allow for suitable fixings if installing to varied post materials.



8 Lower panel into U Channel and fix off using wafer head screws in each corner of the completed panel



## APPENDIX 1 – FABRICATION OVERVIEW PANEL SIZE ADJUSTMENT

### WIDTH AND HEIGHT ADJUSTMENT FOR OUTER FRAME

#### METHOD 1: Bracket Installation

2 x Horizontal Top/Bottom Rails = distance between posts – 3mm

2 x Vertical side frames = Outer frame height of panel – 51mm

\*\* for WIDTH adjustment, suggested minimum gap between vertical side stile and post is 35mm which provides necessary gap for installation with brackets.

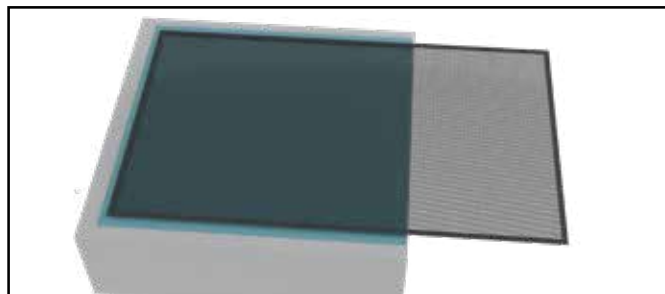
#### METHOD 2: U Channel Installation

2 x Horizontal Top/Bottom Rails = distance between post – 12mm

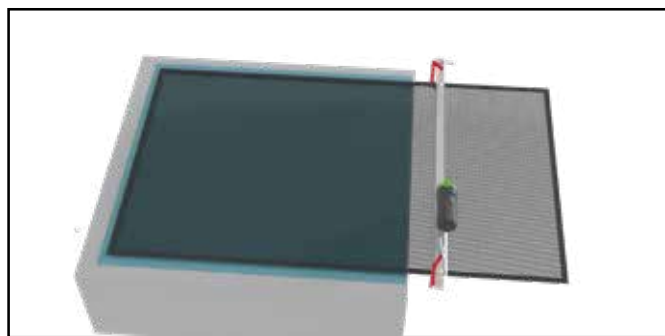
2 x Vertical side frames = Outer frame height of panel – 51mm

2 x Vertical U Channels = Outer frame height of panel

\*\*For Width, allowance of length of panel + 12mm between posts is for fixings and channel



- 1 Lay the panel on flat, padded surface, overhanging the off-cut.  
Deduction = Overall finished outer-frame size minus 12mm.

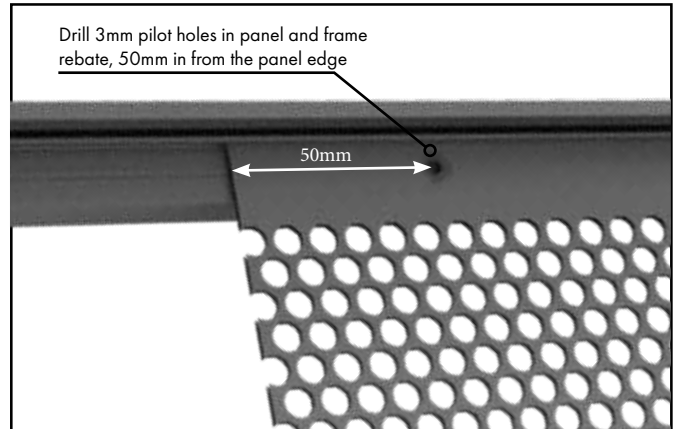


- 2 Using a clamped straight-edge as a guide, cut using a Nibbler tool.  
Once cut, file any sharp or protruding edges.  
Tip: For best visual appearance, remove both borders if sizing permits.

See Steps 1-6 of Bracket or U Channel Assembly Guide,  
incorporating steps 4 & 5 below.

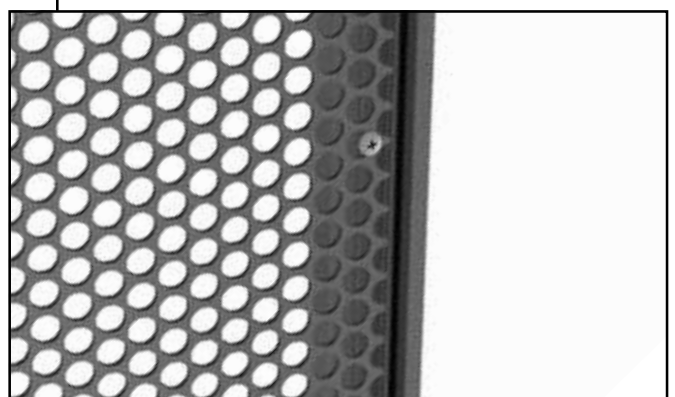
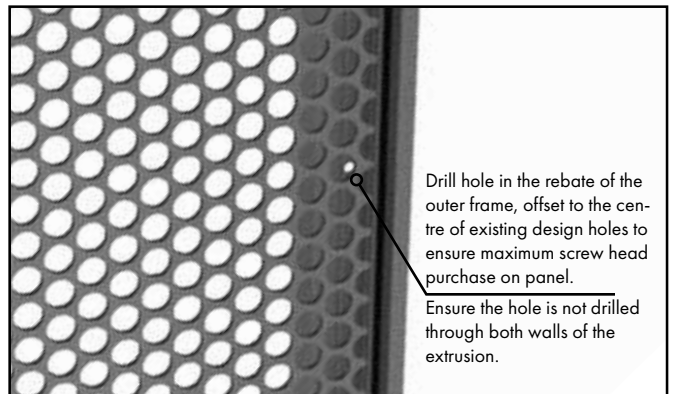
- 3 Assemble outer frame to panel as per steps 1 to 6  
(bracket or U Channel methods).

#### Horizontal rails:



- 4 The fixing holes in the adjacent border to the cut edge may have been removed during cut-down.  
Drill 3mm pilot holes for fixing approximately 50mm in from each corner.  
Affix using self tapping wafer head screws.

#### Vertical rails:



- 5 The border and pre-existing fixing holes will be removed when adjusting the panel size.  
Drill 3mm pilot holes in the rebate of the outer frame, positioning holes off-set to the centre of the existing design holes, ensuring screw head has maximum purchase on the panel.  
Holes to be approximately 50mm from each corner and 400mm apart.





**NOTE – Select finish code:**  
(EG PP-PANEL-B for black)

# ORDER CODES

Order Code	Description	Colours
PP-PANEL-B/MN	Premium full perf infill panel	
PP-PANEL-PALM-B/MN	Premium deco perf infill panel	
PP-PANEL-TRANS-B/MN	Premium full perf transition panel	
PP-FRAMEKIT-B/MN	Premium perf 38x25mm frame kit	
PP-U-B/MN-2PK	45x25.4mm U channels – pack of 2	
PP-TRANSKIT-B/MN	Premium perf 38x28mm transition panel frame kit	
PP-SCREW-B/MN-50PK	Self drilling wafer screws – bag of 50	
PP-GATE-B/MN	Premium perf gate – full perf	
PP-GATE-PALM-B/MN	Premium perf gate – palm deco pattern	
SS-1800-B/MN	1800mm 50x50 core drill post	
SS-2100-B/MN	2100mm 50x50 core drill post	
SS-1300-BP-B/MN	1300mm 50x50 base plated post	
SS-1600-BP-B/MN	1600mm 50x50 base plated post	
SS-DC-B/MN	Two part domical cover	
XP-DR-B/MN	50x50mm post dress ring	
XP-2400/6000-FP-B/MN	50x50mm full post – 2400mm or 6000mm H	
XP-BP-SET-B/MN	50x50mm post base plate set	
XP-DC-2P-B/MN	Two part domical cover	
XP-TP-B/MN	50x50mm post flat top plate	
SS-BH4-B/MN	Horizontal brackets – 4 pack	
SS-BV-B/MN	Vertical bracket	
SS-B360-B	360° bracket	
SS-BA-B	Angle bracket	
SS-BSWIV-HORIZ-B/MN	Horizontal swivel bracket	
SS-BSWIV-VERT-B/MN	Vertical swivel bracket	
SS-TS-100-B/MN	Self drilling tek screws – bag of 100	



# BARR FENCING



## Overview

BARR is a new design sensation providing the much sought after 'floating battens' look.

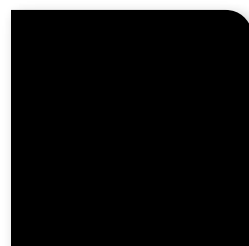
Panels & gates are welded and are made from 50x25mm aluminium extrusion with a sturdy 25x25mm extrusion utilised for top/bottom rails.

BARR's unique style is achieved via the 25x25mm rails passing through precision punched holes in the 50x25mm pickets – NOT face welded.

**This key design feature results in a panel which is unparalleled in strength and style.**

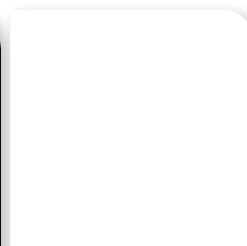
## Finishes —

Genuine Akzo Nobel powder coat



SATIN BLACK  
GN150A

(B)



PEARL WHITE  
GA078A

(W)





# BARR FENCING PANELS



1000MM H  
PANELS  
AVAILABLE  
JANUARY  
2023



Satin black



Pearl white

### TRADE TIP

Allow total bracket gap of 10 to 14mm so a 1733mm wide panel fits a daylight opening of 1743 to 1747mm

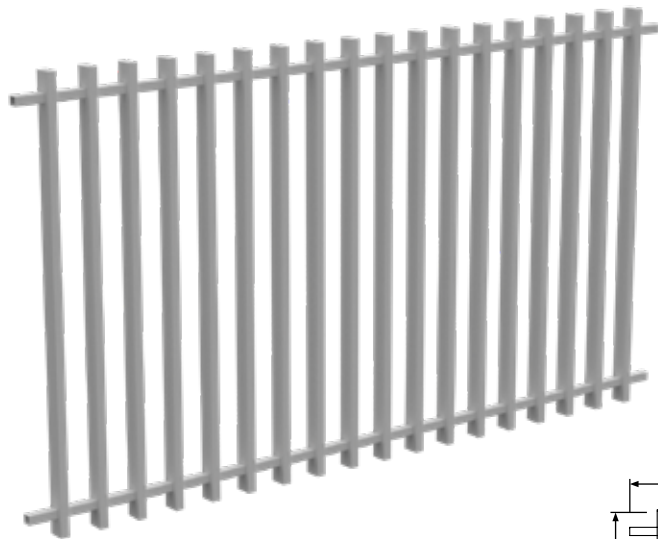
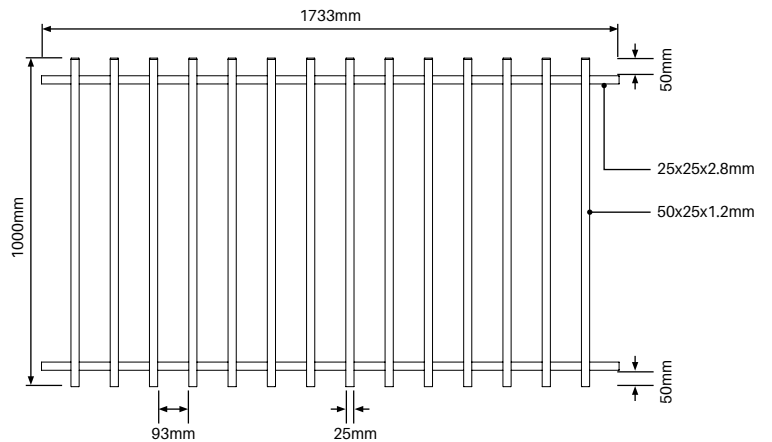
## BARR 50 x 25 Panel

1000MM H x 1733MM W

**Satin black** (GN150A) or **pearl white** (GA078A) finish

Order Code: **BR-PANEL-1733-1000-B/W**

- 1000mm high panel; aluminium alloy 6063-T6
- 50x25mm pickets/balusters with 25mm front/facing edge
- Cap pre-inserted in the top of each picket
- Sturdy 25x25x2.8mm horizontal top/bottom rails pass through the centre of punched pickets
- Pickets welded to rails
- Panel construction is very strong with rails passing through pickets
- 50x25mm picket provides the sought after seamless 'batten' look
- Being 1000mm high, ideal for garden/perimeter fencing
- Panel easily cut down in width



Satin black



Pearl white

### TRADE TIP

Allow total bracket gap of 10 to 14mm so a 2205mm wide panel fits a daylight opening of 2215 to 2219mm

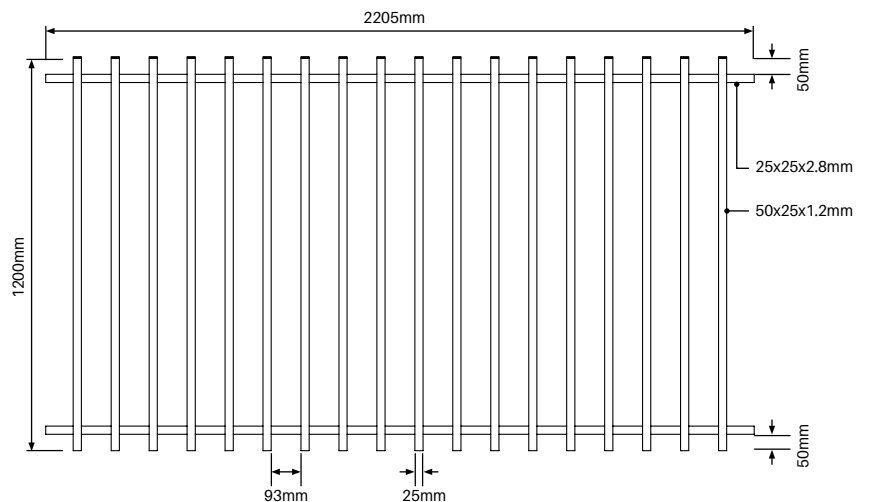
## BARR 50 x 25 Panel

1200MM H x 2205MM W

**Satin black** (GN150A) or **pearl white** (GA078A) finish

Order Code: **BR-PANEL-2205-1200-B/W**

- Pool fencing compliant to AS 1926.1
- 1200mm high panel; aluminium alloy 6063-T6
- 50x25mm pickets/balusters with 25mm front/facing edge
- Cap pre-inserted in the top of each picket
- Sturdy 25x25x2.8mm horizontal top/bottom rails pass through the centre of punched pickets
- Pickets welded to rails
- Panel construction is very strong with rails passing through pickets
- 50x25mm picket provides the sought after seamless 'batten' look
- Panel easily cut down in width





# BARR FENCING PANELS



**BLACK PANELS**  
AVAILABLE NOV 2022

**WHITE PANELS**  
AVAILABLE JAN 2023



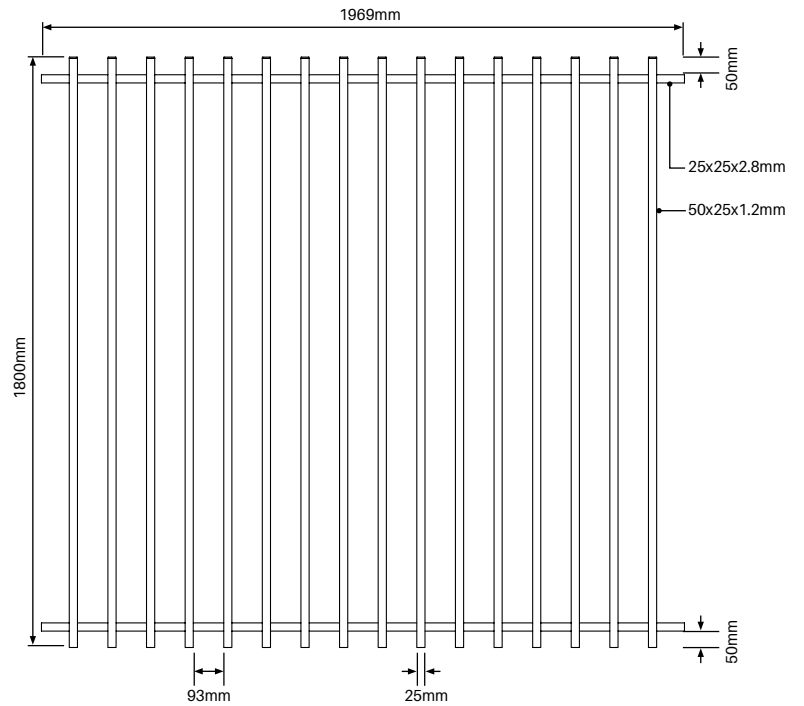
Satin black



Pearl white

**TRADE TIP**

Allow total bracket gap of 10 to 14mm so a 1969mm wide panel fits a daylight opening of 1979 to 1983mm



**BARR 50 x 25 Panel**

1800MM H x 1969MM W

Satin black (GN150A) or pearl white (GA078A) finish

Order Code: BR-PANEL-1969-1800-B/W

- Pool fencing compliant to AS 1926.1; also ideal for boundary fencing
- 1800mm high panel; aluminium alloy 6063-T6
- 50x25mm pickets/balusters with 25mm front/facing edge
- Cap pre-inserted in the top of each picket
- Sturdy 25x25x2.8mm horizontal top/bottom rails pass through the centre of punched pickets
- Pickets welded to rails
- Panel construction is very strong with rails passing through pickets
- 50x25mm picket provides the sought after seamless 'batten' look
- Panel easily cut down in width





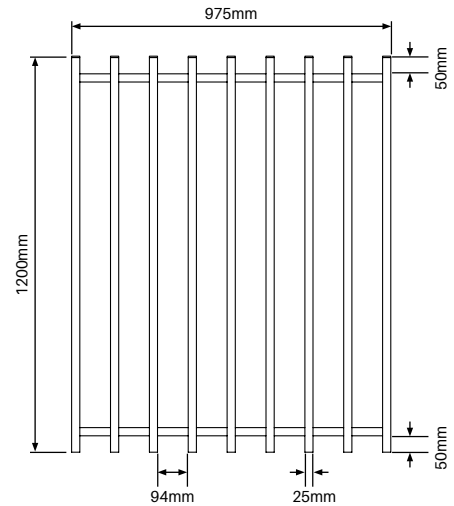
# BARR FENCING GATES



Satin black



Pearl white



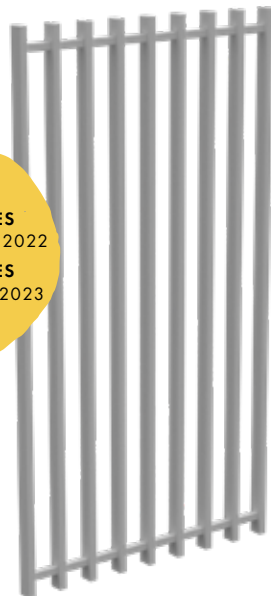
## BARR 50 x 25 Gate

1200MM H x 975MM W

Satin black (GN150A) or pearl white (GA078A) finish

Order Code: BR-GATE-0975-1200-B/W

- Pool fencing compliant to AS 1926.1
- 975mm wide x 1200mm high gate
- Aluminium alloy 6063-T6
- Same construction method as panels - horizontal rails pass through 50x25mm punched pickets & welded
- Gate side stiles are also 50x25mm
- To ensure maximum strength, four sided welding of horizontal rails to vertical gate stiles
- Caps pre-inserted into pickets



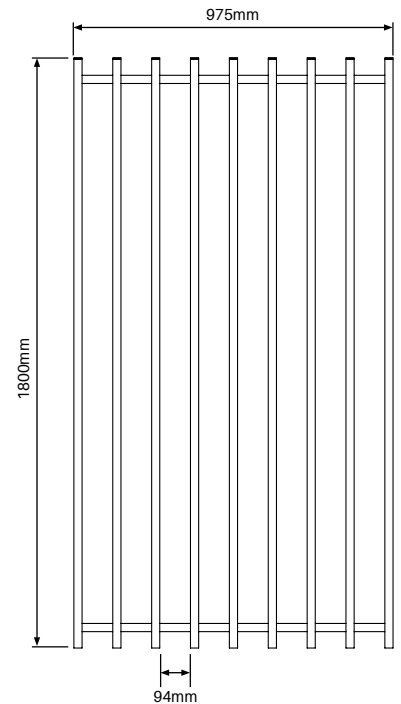
**BLACK GATES**  
AVAILABLE NOV 2022  
**WHITE GATES**  
AVAILABLE JAN 2023



Satin black



Pearl white



## BARR 50 x 25 Gate

1800MM H x 975MM W

Satin black (GN150A) or pearl white (GA078A) finish

Order Code: BR-GATE-0975-1800-B/W

- Pool fencing compliant to AS 1926.1
- 975mm wide x 1800mm high gate
- Aluminium alloy 6063-T6
- Same construction method as panels - horizontal rails pass through 50x25mm punched pickets & welded
- Gate side stiles are also 50x25mm
- To ensure maximum strength, four sided welding of horizontal rails to gate stiles
- Caps pre-inserted into pickets





# BARR FENCING POSTS



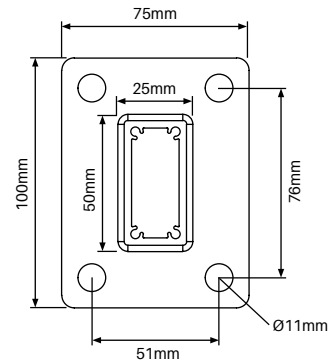
## Post with welded base plate

1280mm long

Satin black or pearl white finish

Order Code: **BR-1280-BP-B/W**

- 50x25x3mm post with welded 100x75mm base plate
- Base plate is 10mm thick
- Superior rigidity with 3mm wall thickness post
- Top cap pre-inserted
- Aluminium alloy 6063-T6
- 50x25mm post profile matches pickets to give a continuous 'batten' look.
- Traditionally posts are 50x50mm which breaks up the symmetrical batten look.



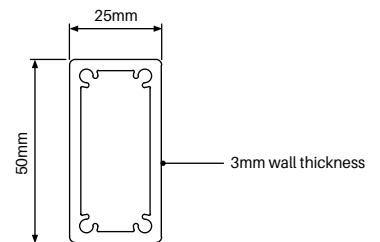
## Post

1800mm long

Satin black or pearl white finish

Order Code: **BR-1800-B/W**

- 50x25x3mm post at 1800mm long
- Superior rigidity with 3mm wall thickness
- Includes top cap pre-inserted
- Includes 100mm long x 25mm wide anchor at bottom of post for aiding sturdy embedment into concrete
- Aluminium alloy 6063-T6
- 50x25mm post profile matches pickets to give a continuous 'batten' look.
- Traditionally posts are 50x50mm which breaks up the symmetrical batten look.



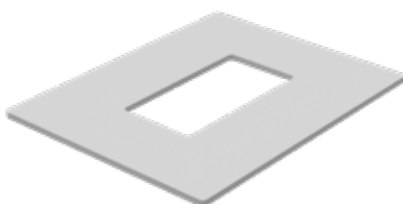
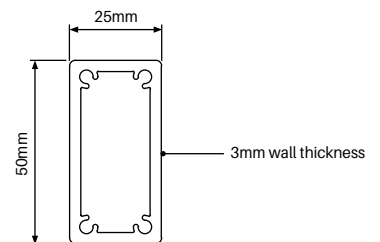
## Post

2500mm long

Satin black or pearl white finish

Order Code: **BR-2500-B/W**

- 50x25x3mm post at 2500mm long
- Superior rigidity with 3mm wall thickness
- Includes top cap pre-inserted
- Includes 100mm long x 25mm wide anchor at bottom of post for aiding sturdy embedment into concrete
- Aluminium alloy 6063-T6
- 50x25mm post profile matches pickets to give a continuous 'batten' look.
- Traditionally posts are 50x50mm which breaks up the symmetrical batten look.

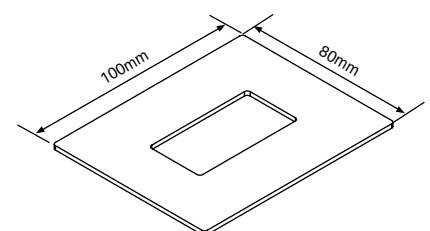


## Dress ring

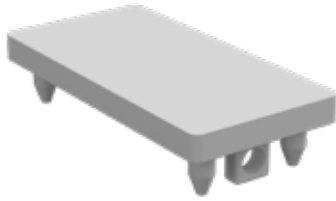
Satin black or pearl white finish

Order Code: **BR-DR-B/W**

- 100 x 80mm dress ring
- Suits covering a core hole up to 80mm diameter
- For BARR posts, suggested to use 63mm or 76mm core drill size



# BARR FENCING ACCESSORIES



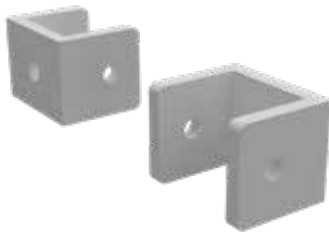
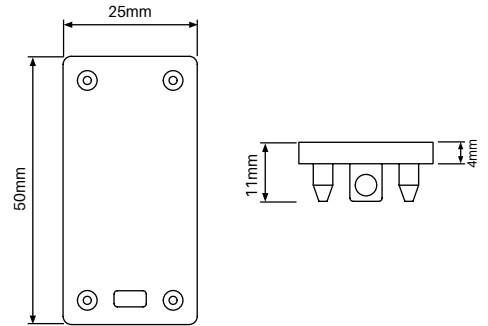
## BARR Top Cap

50 x 25 x 4MM

Satin black or pearl white finish

Order Code: BR-TCA-B/W

- Optional extra 4mm thick aluminium powder coated top cap
- Presses into screw flutes in 50x25mm pickets and/or posts
- Panels and posts come with nylon caps preinserted. Option to remove and replace with aluminium caps
- Made from solid aluminium and CNC machined (not die cast aluminium)



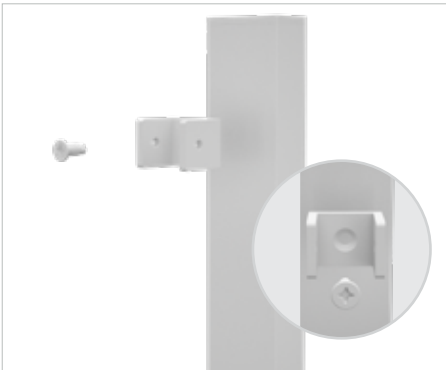
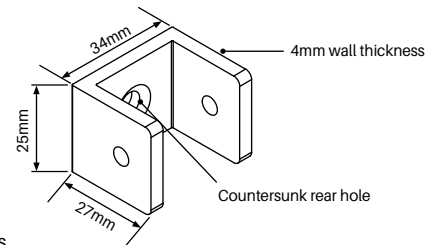
## BARR 'C' Bracket Kit

4 PACK

Satin black or pearl white finish

Order Code: BR-BR25-B/W-4PK

- Slimline "C" bracket for neat fixing of panels to posts/wall
- Made from extruded aluminium
- A stylish solution versus traditional full shrouds
- Sold as a pack of 4 x "C" brackets with matching screws
- Screws supplied for each bracket include 1 x countersunk SS304 screw for fixing to aluminium posts & 2 x panhead SS304 square drive screws for fixing the panels to the rails



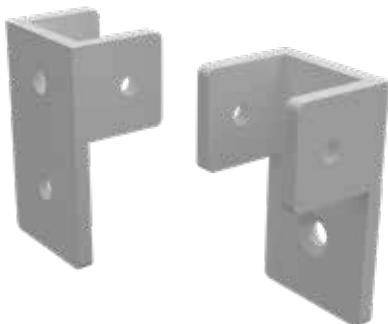
- 1** Fix C bracket to post/wall using countersunk fixing. Fixing is hidden and is flush with back of bracket.



- 2** Insert panel into C bracket opening and pilot hole drill horizontal rails on both sides.



- 3** Fix off both sides with panhead screws. Screw heads are colour matched.



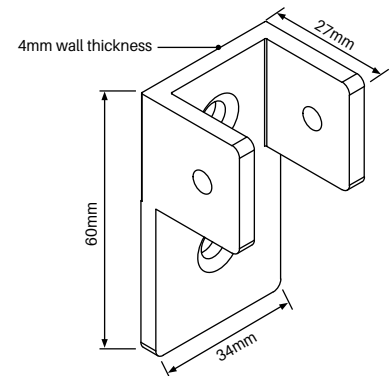
## BARR Extended 'C' Bracket Kit

4 PACK

Satin black or pearl white finish

Order Code: BR-BR60-B/W-4PK

- EXTENDED "C" bracket for neat fixing of panels to posts/wall
- Made from extruded aluminium
- Sold as a pack of 4 x EXTENDED "C" brackets with matching screws
- Features a longer back leg allowing 2 x fixings to post/wall for extra strength if needed
- Screws supplied for each bracket include 2 x countersunk SS304 screw for fixing to aluminium posts & 2 x panhead SS304 square drive screws for fixing the panels with the rails

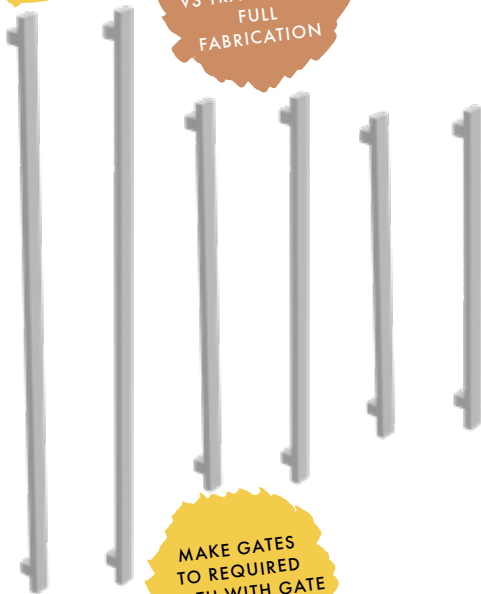




# BARR FENCING GATE CONVERTERS

GATE  
CONVERTERS  
AVAILABLE  
JAN 2023

HUGE SAVINGS  
VS TRADITIONAL  
FULL  
FABRICATION



MAKE GATES  
TO REQUIRED  
WIDTH WITH GATE  
CONVERTERS

## BARR gate converter

1000/1200/1800mm high

Satin black or pearl white finish

Order Code: BR-1000-GC-2PK-B

BR-1000-GC-2PK-W

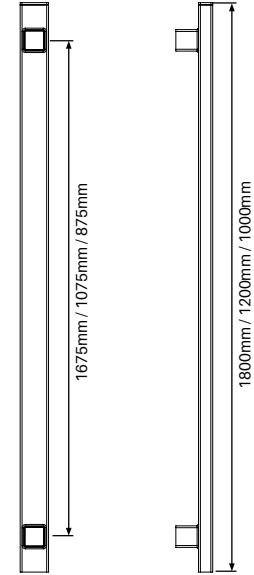
BR-1200-GC-2PK-B

BR-1200-GC-2PK-W

BR-1800-GC-2PK-B

BR-1800-GC-2PK-W

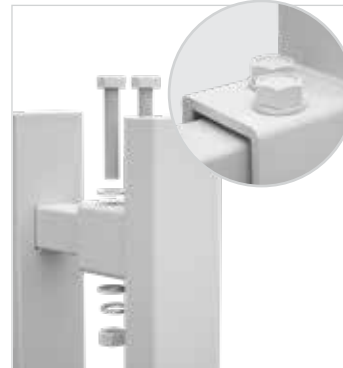
- Easily convert standard BARR panels into pedestrian gates
- Available to suit 1000, 1200 & 1800mm high panels
- Simply adjust panel to required width, place converters both sides and fix off
- Bolt/nuts are included and are colour matched
- Gate converter stiles are 50x25mm profile to match standard pickets
- Top caps included
- Sold as a pair (for left & right side of gate)



**1** Cut panel to required width.  
*NOTE: ensure minimum of 42mm of horizontal rail remains both sides past pickets for attaching of converters*



**2** Insert panel ends into converter and drill through guide holes.



**3** Fix off converters both sides with nut/bolts provided.



**4** Completed gate.

## Driver bit

Order Code: DB-PH3

- Driver bit to suit Phillips #3 screw head



## Square head driver bit

Order Code: DB-SQ3.4

- Driver bit to suit 3.4mm square screw head hole
- Suits panhead screws used with "C" brackets



## Touch Up Paint

150g SPRAY CAN

**Black or white finish**

Order Code: PAINT-B (Black)

PAINT-W (White)

- Colour match touch up paint







# ORDER CODES

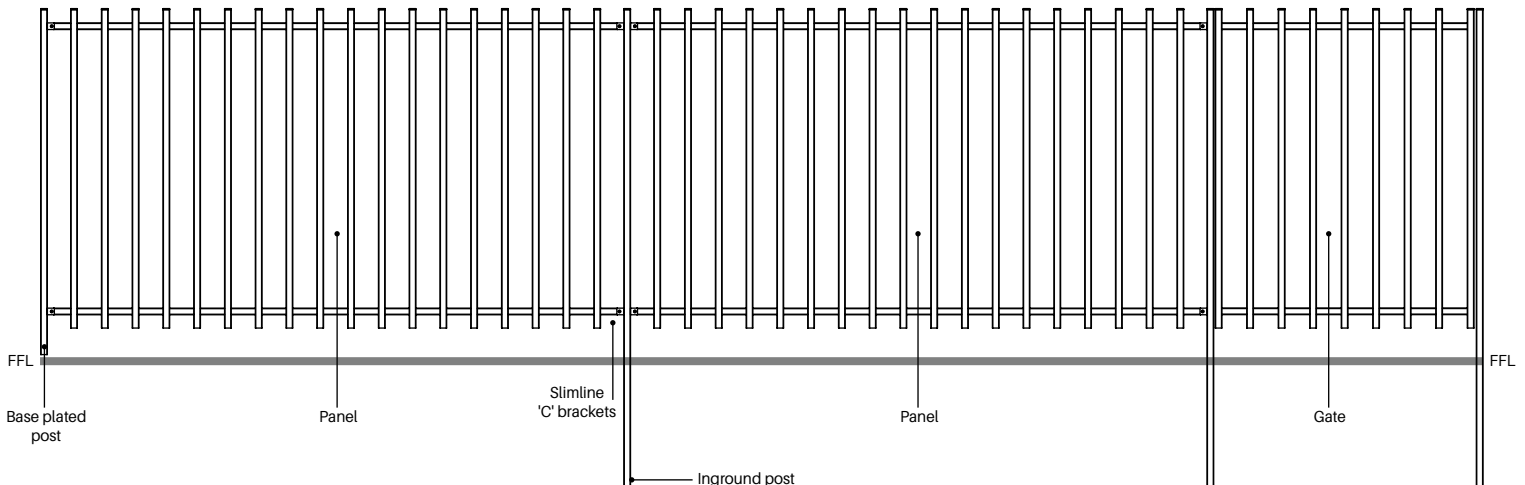
Order Code	Description	Colours
BR-PANEL-1733-1000-B/W	BARR 50 x 25 Panel – 1000mm H x 1733mm W	
BR-PANEL-2205-1200-B/W	BARR 50 x 25 Panel – 1200mm H x 2205mm W	
BR-PANEL-1969-1800-B/W	BARR 50 x 25 Panel – 1800mm H x 1969mm W	
BR-GATE-0975-1200-B/W	BARR 50 x 25 Gate – 1200mm H x 975mm W	
BR-GATE-0975-1800-B/W	BARR 50 x 25 Gate – 1800mm H x 975mm W	
BR-1280-BP-B/W	Post with welded base plate – 1280mm long	
BR-1800-B/W	Post – 1800mm long	
BR-2500-B/W	Post – 2500mm long	
BR-DR-B/W	Dress ring	
BR-TCA-B/W	BARR Aluminium Top Cap	
BR-BR25-B/W-4PK	BARR 'C' Bracket Kit	
BR-BR60-B/W-4PK	BARR Extended 'C' Bracket Kit	
BR-1000-GC-2PK-B/W	BARR Gate Converter – 1000mm high	
BR-1200-GC-2PK-B/W	BARR Gate Converter – 1200mm high	
BR-1800-GC-2PK-B/W	BARR Gate Converter – 1800mm high	



**For fencing accessories/hinges/latches refer pages 56-79**

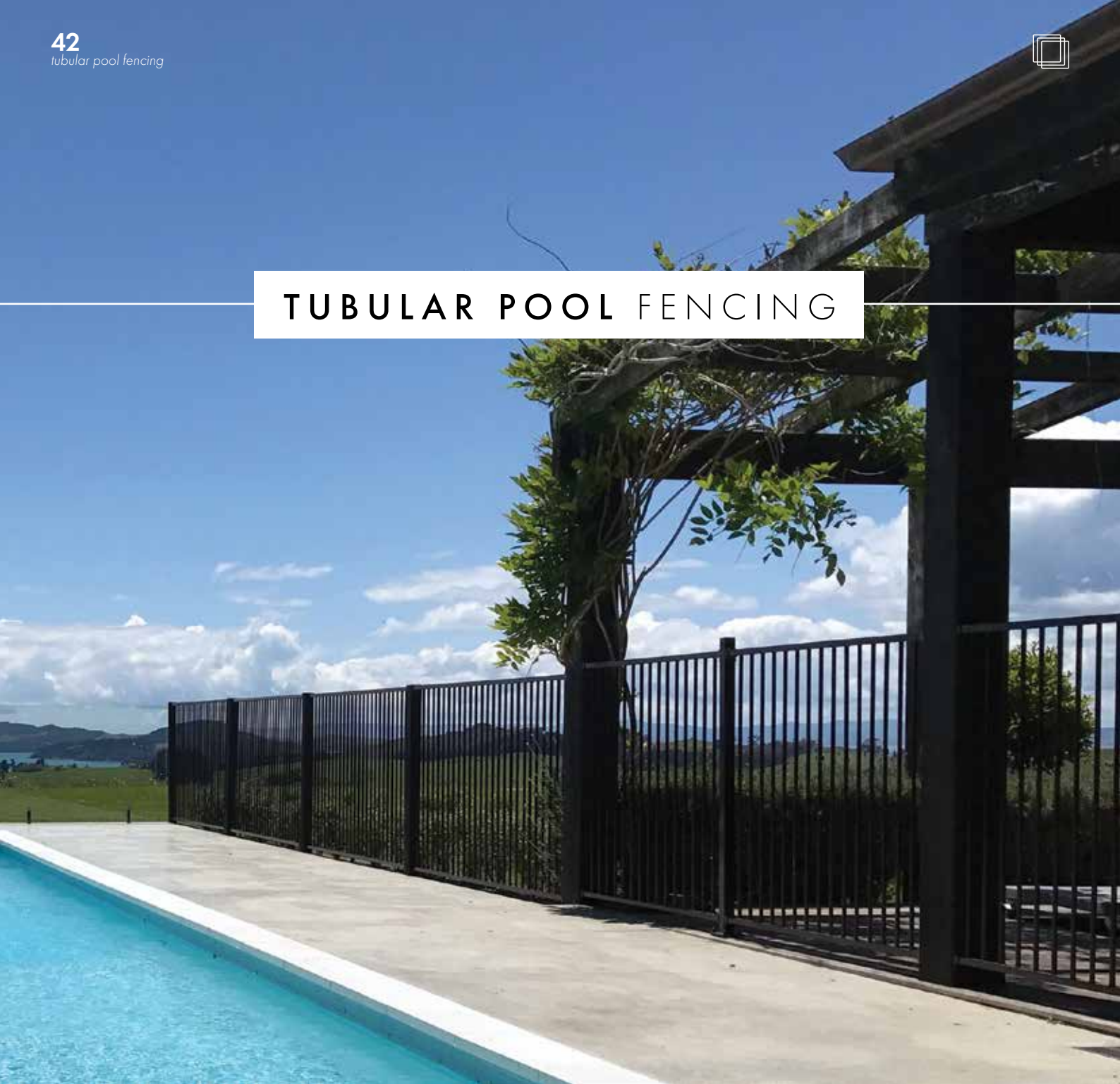
## ASSEMBLY OVERVIEW OF BARR SYSTEM

SEAMLESS INTEGRATION OF PANELS & POSTS WITH MATCHING 50x25MM PROFILES





# TUBULAR POOL FENCING



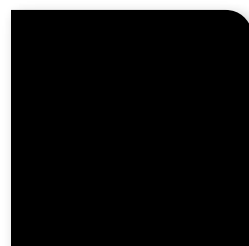
## Overview

Tubular fencing continues to remain highly sought after for pool fencing due to its ease of installation, cost effectiveness, robustness and pleasing aesthetic.

We now have available panels, posts and accessories in the trending finishes of monument and pearl white in addition to the ever popular flat top black panels.

### Finishes —

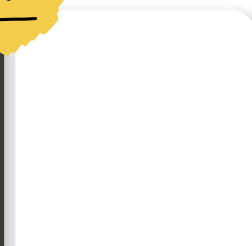
Genuine Interpon powder coat



SATIN BLACK  
GN150A (B)



MONUMENT  
GL229A (MN)



WHITE  
GA078A (W)



# TUBULAR POOL FENCING



## Flat top aluminium pool panel

1200MM H x 2450MM W

Order Code: **SS-FTP-2450-B/MN/W**

- 6 weld points per picket
- Pickets: 16mm diameter x 1.2mm (Alloy 6063 - T6)
- Spacings: 72.1mm gap with 88.1mm centre
- Rails: 38mm x 25mm x 1.6mm
- Compliant to AS1926.1



## Flat top aluminium pool gate

1200MM H x 975MM W

Order Code: **SS-FTG-0975-B/MN/W**

- 6 weld points per picket
- Pickets: 16mm diameter x 1.2mm (Alloy 6063 - T6)
- Spacings: 72.1mm gap with 88.1mm centre
- Rails: 38mm x 25mm x 1.6mm
- Compliant to AS1926.1
- Mitred top corners on gate



**Pool fencing compliant!**  
AS 1926.1

**Lifetime manufacturer's warranty\***

\*Conditions apply

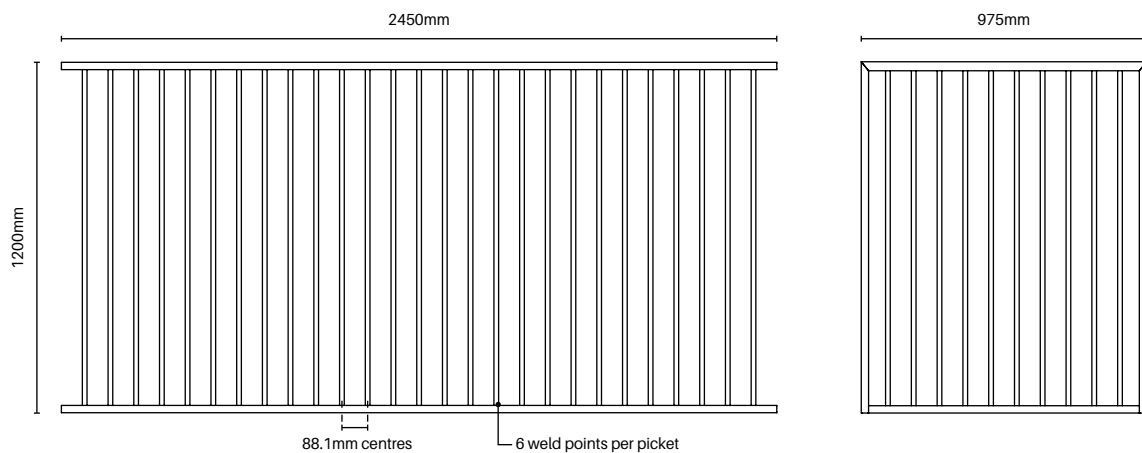
### Powder coat colours —

Genuine Interpon powder coat

\*\*Primrose colour available from Adelaide depot



### TECHNICAL INFO



See pages 52-55 for post options

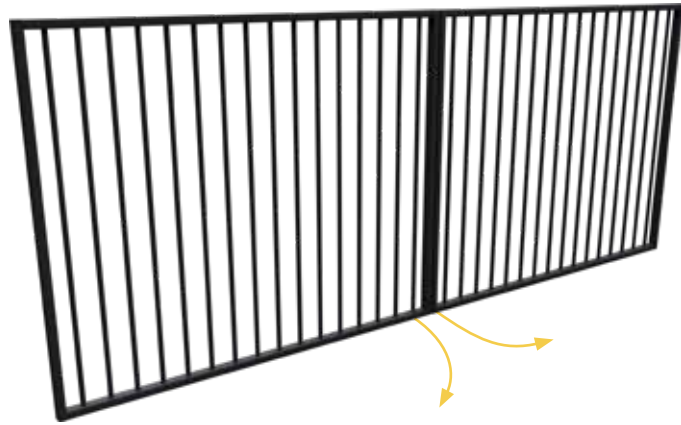




# TUBULAR POOL FENCING



**1** WIDTH ADJUSTABLE GATE



**2** DOUBLE GATE SOLUTION

## Flat top aluminium adjustable gate

1200MM H x 1515MM W

Order Code: **SS-FTG-1470-B**

- 6 point welds
- Pickets: 16mm diameter x 1.2mm (Alloy 6063 - T6)
- Spacings: 72.1mm gap with 88.1mm centre
- Rails: 38mm x 25mm x 1.6mm
- Standard gate is pool fencing compliant to AS1926.1 (Driveway double gates are not pool fencing compliant)
- Pre-assembled gate with removeable side stile inserted is 1515mm wide - with side stile removed, gate is 1470mm wide
- Features one welded and one removeable side stile
- Easily adjust gate width as required

### Driveway double gates

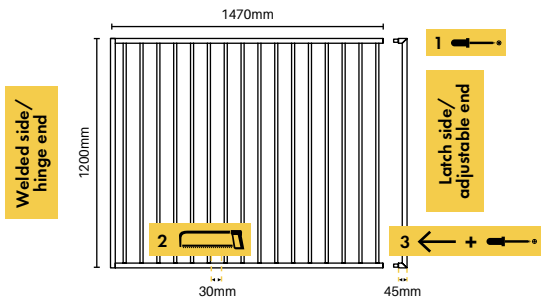
Use 2x standard 1515mm wide gates to achieve a driveway double gate up to 3030mm wide

#### Extras required:

2x pair of hinges, 1x latch, 2x drop bolts, 2x posts

**Powder coat colour —**  
Genuine Interpon powder coat

**BLACK**  
GN150A

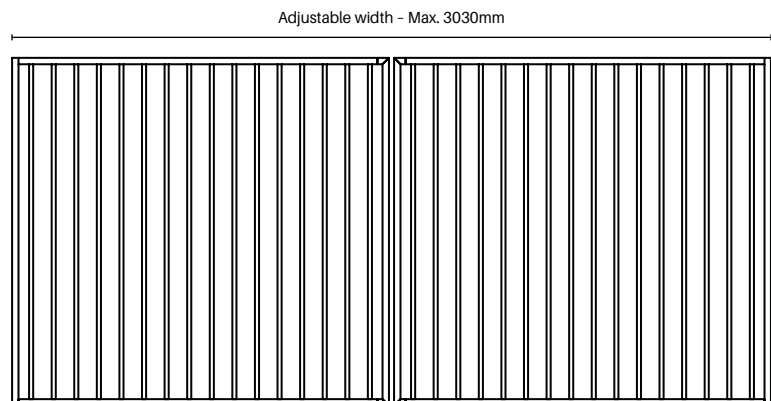
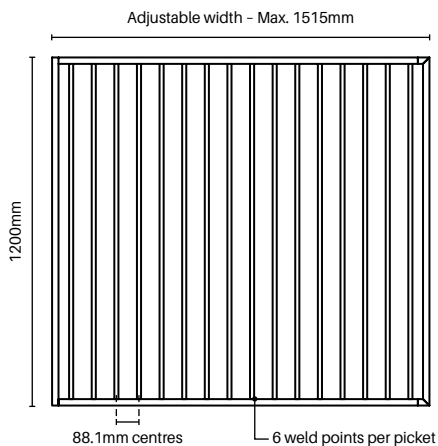


### How to adjust gate —

**NOTE:** Pre-assembled adjustable gate is 1515mm wide

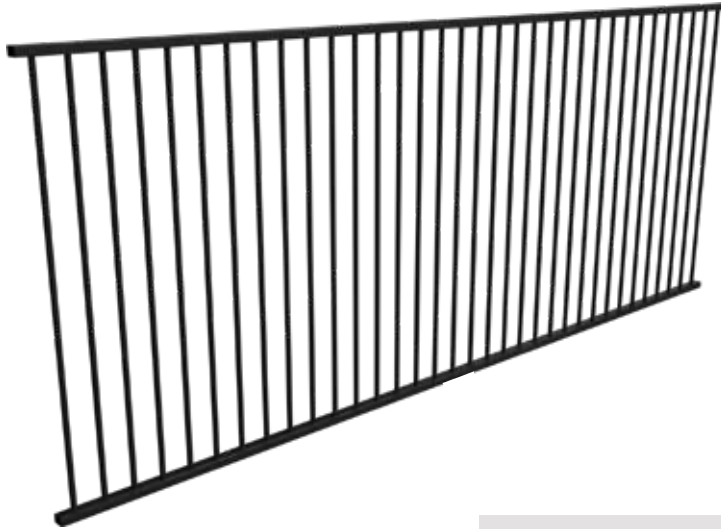
- 1 Unscrew latch side end
- 2 Cut gate at desired width. Ensure you allow a minimum gap of 30mm from edge of picket
- 3 Re-insert latch end piece and re-screw to secure. Use 2x screws at top and bottom

## TECHNICAL INFO





# TUBULAR POOL FENCING



**When wider panels are used, less posts are required.**  
Ideal for large runs of fencing



**Pool fencing compliant!**  
AS 1926.1-2012

## 3m flat top aluminium pool panel

1200MM H x 3000MM W

Order Code: **SS-FTP-3000-B**

- 6 weld points per picket
- Pickets: 16mm diameter x 1.2mm (Alloy 6063 - T6)
- Spacings: 72.1mm gap with 88.1mm centre
- Rails: 38mm x 25mm x 1.6mm
- Compliant to AS1926.1

**Powder coat colour —**  
Genuine Interpon powder coat

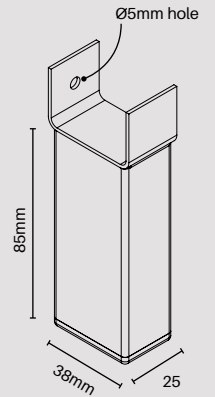


## Support leg

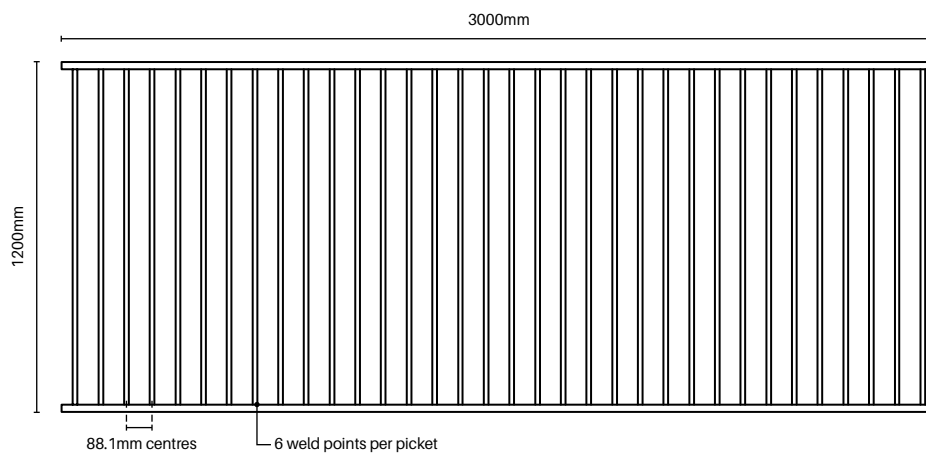
Black powder coated aluminium

Order Code: **SS-LEG**

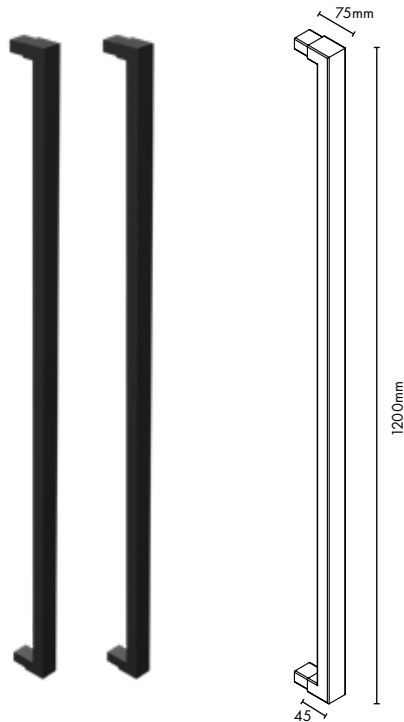
- Support leg for wider panel: affix to bottom rail
- Suits 38x25mm bottom rail
- Simply place where needed and screw off (screw provided)
- Easy height adjustment - simply cut as needed and replace press in plastic bottom cap



## TECHNICAL INFO



# TUBULAR FENCING GATE CONVERTERS



## Aluminium gate converters

PACK OF 2

Order Code: **SS-1200-GC-2PK-/MN/W** (for 1200mm H panels)

- Easily convert standard flat top fence panels into gates
- Suits 1200mm high panels with 38x25mm horizontal rails
- Simply adjust panel width, insert converters both sides and fix off with 4x screws provided
- Pool fence compliant when used with a 1200mm H panel (note: gap between picket edge and inner gate stile edge must be 80mm or less)
- Save time and money versus custom made gates
- Sold as a pair (for left & right side of gate)

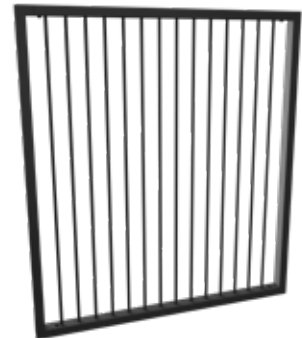
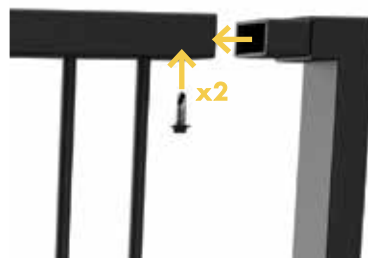
## Powder coat colour –

Genuine Interpon powder coat

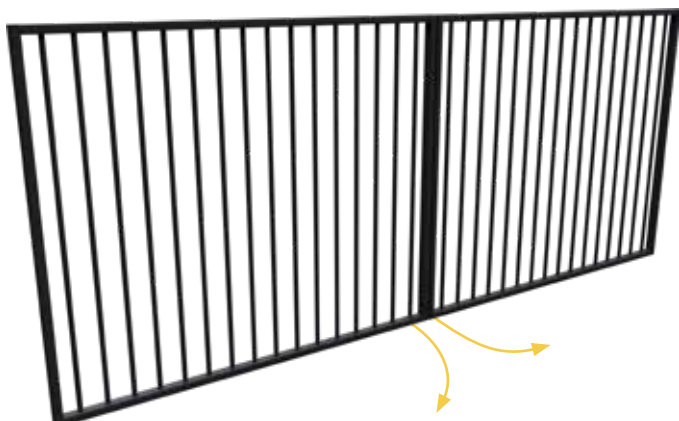


## SIMPLE HOW TO

- 1 Cut panel to required width. Ensure minimum of 30mm gap from picket ends on both sides
- 2 Once inserted, engage screw top & bottom ensuring screw penetrates both panel & gate converter internal extensions
- 3 Gate converter stiles affixed at both ends



## DOUBLE GATE SOLUTION



### Driveway double gates

Use tubular panels to make double gates to suit your opening

#### Extras required:

2x pair of hinges, 1x latch, 2x drop bolts, 2x posts

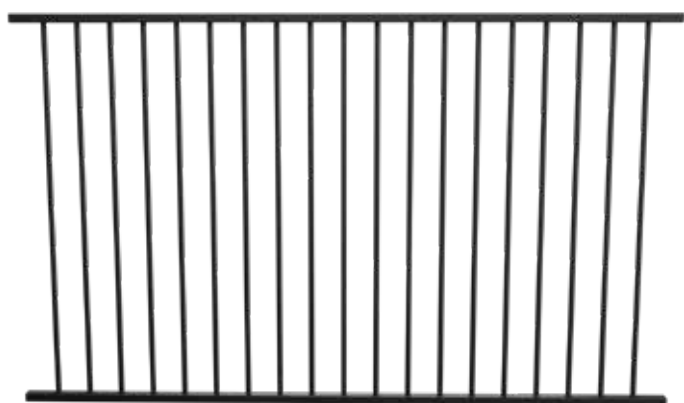




## BOUNDARY FENCING

FLAT PACK IN A BOX  
BOUNDARY FENCING

- + INCREDIBLE PRICE POINT
- + FLAT PACKED FOR COST EFFECTIVE TRANSPORT
- + RAKE ONSITE TO 12 DEGREES



\*Refer [www.productinstall.com.au/tubular](http://www.productinstall.com.au/tubular) (password tubular1) for assembly overview

**Xpress fence in a box – boundary fencing**

ALUMINIUM POWDER COATED BLACK  
1200MM H x 2000MM W

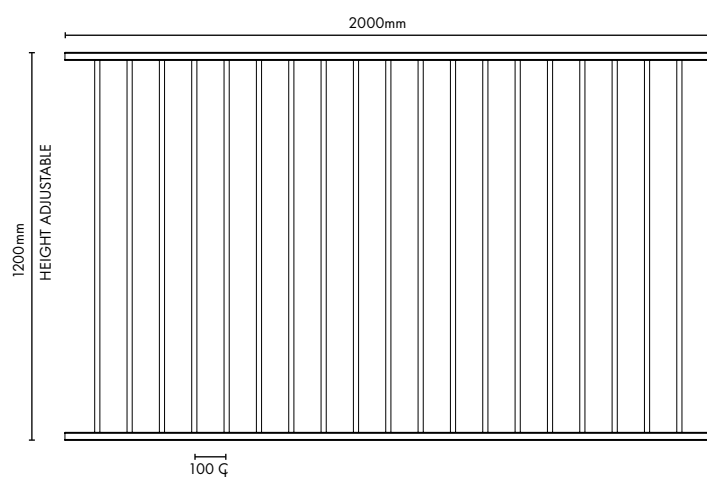
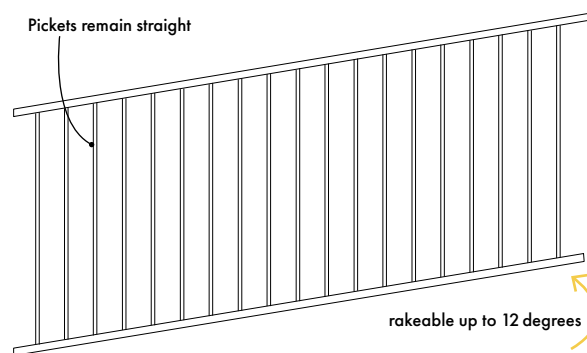
Order Code: **XF-PP-2000-B**

- Complete kit in a box – rails & pickets (shrouds sold separately)
- Pickets: 16mm diameter (Alloy 6063 – T6); Rails: 38x25mm
- Patented FRICTION FIT technology
- Fast & easy assembly – simply insert pickets into rails
- Rakes up to 12 degrees onsite
- Width & height adjustable. For height adjustment, simply cut picks to required height
- Suitable for boundary or garden fencing (not pool compliant)

**Powder coat colours –**  
Genuine Interpon powder coat

BLACK  
GN150A

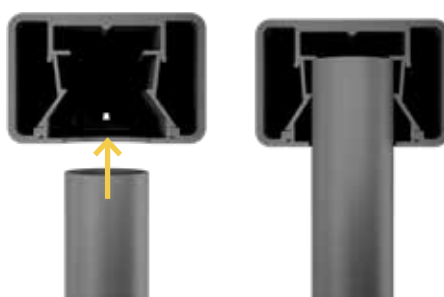
## TECHNICAL INFO

**Rakeable up to 12 degrees**

Flat packed in a box for easy transport & storage



Simply insert the pickets into the horizontal rails. Patented non weld, push together system



Fast & easy to assemble





# BATTEN IN A BOX

## Batten in a Box

1200MM H x 2000MM W

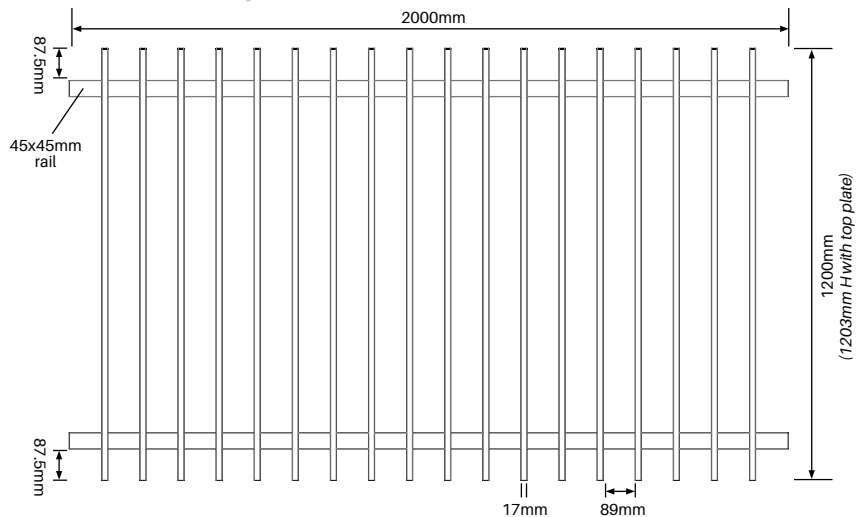
Order Code: XB6517-2000-1200-B/G/MN

- Complete aluminium batten in a box with back clip, snap on 65x17mm front and 2 x rails
- Premium powder coated aluminium including top caps
- Patented non-weld assembly method
- Rail and clip pre-drilled for fast & easy assembly. Holes line up & simply screw fix back clip to rails. Assembly screws included.
- Cost effective batten fencing solution
- Pool fence compliant featuring 89mm gap spacing
- Height and width adjustable - simply cut to desired size if required
- Shrouds sold separately



## Powder coat colours —

Interpon powder coat



## 50x50mm post & accessories

Refer pages 52-54



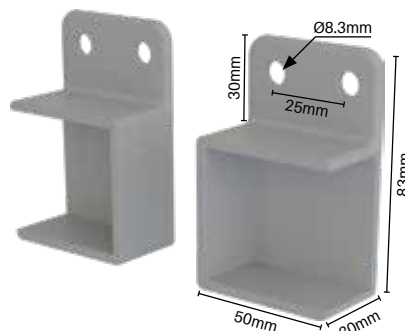
Accessories available in black, woodland grey and monument powder coat finish.

## Aluminium horizontal bracket

Pack of 2 – includes 8 x tek screws  
OPEN SIDE

Order Code: XBAT-BH20-B/G/MN

- Aluminium die cast
- Brackets fit to inner face of post or wall. Suits installation with 50x50mm posts
- Suits 45x45mm horizontal rail
- 3 sided opening - brackets can be pre-installed then install rail into bracket opening
- Ideal solution when batten finishes close to end of rail - side of bracket does not conflict with batten at open side

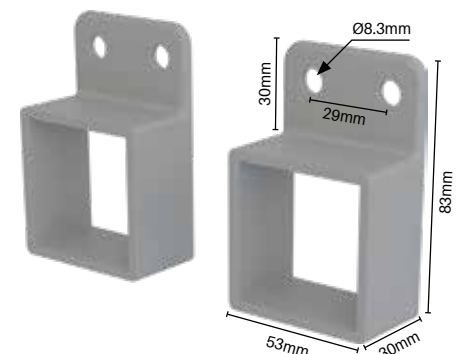


## Aluminium horizontal bracket

Pack of 2 – includes 8 x tek screws  
CLOSED SIDE

Order Code: XBAT-BH2-B/G/MN

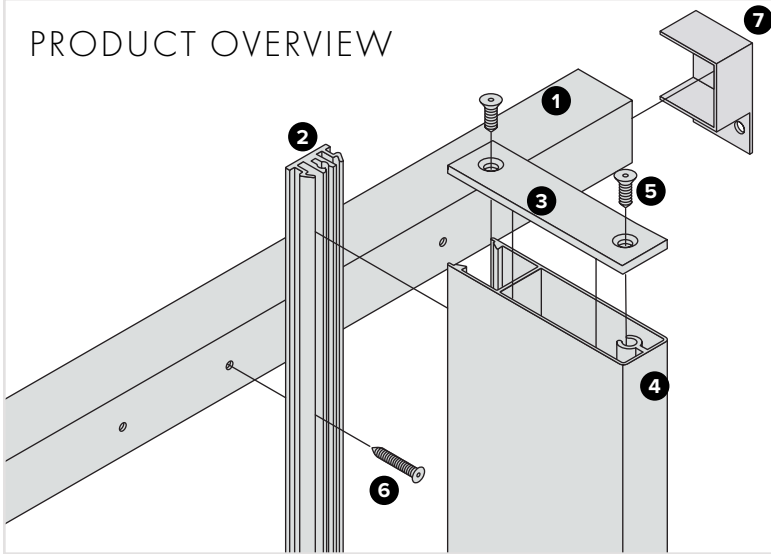
- Aluminium die cast
- Brackets fit to inner face of a 65mm post or wall. As bracket is 53mm wide, recommended to install with 65x65mm posts.
- Suits 45x45mm horizontal rail
- Must leave minimum 35mm of exposed rail past finished batten as bracket depth is 30mm





# BATTEN IN A BOX

## PRODUCT OVERVIEW

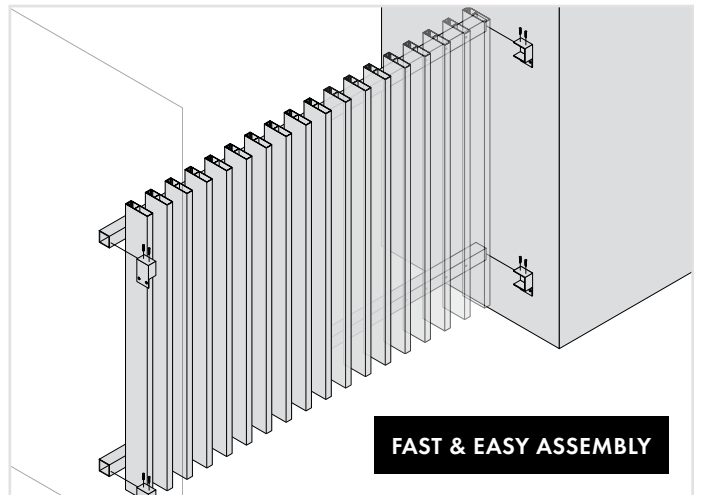
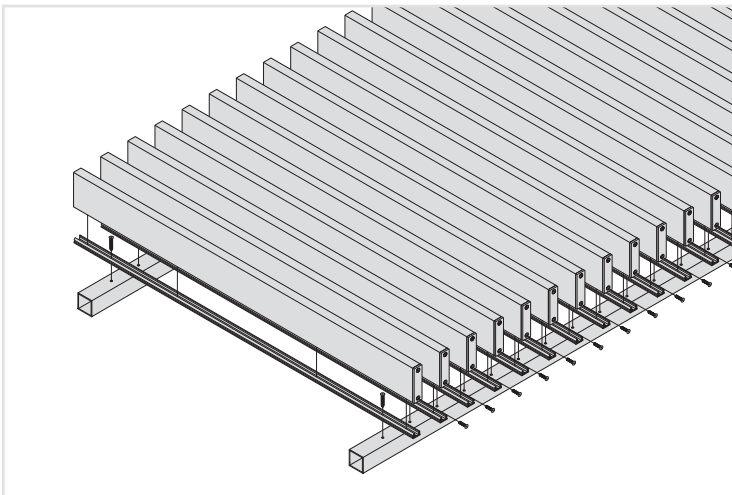


## COMPONENTS

- 1 Horizontal rail
- 2 Fixing clip
- 3 Top cap
- 4 Snap-on batten
- 5 Cap fixing screws
- 6 Rail fixing screws
- 7 Wall/post bracket (not included, sold separately)

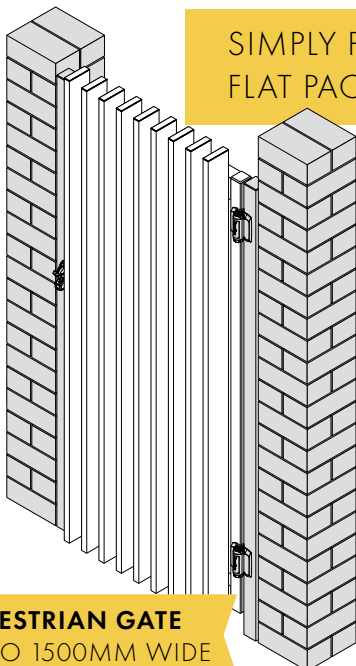
### TRADE TIP: FOR DETAILED ASSEMBLY INFORMATION:

Refer [www.productinstall.com.au/vertbattens](http://www.productinstall.com.au/vertbattens) (password battens 1)

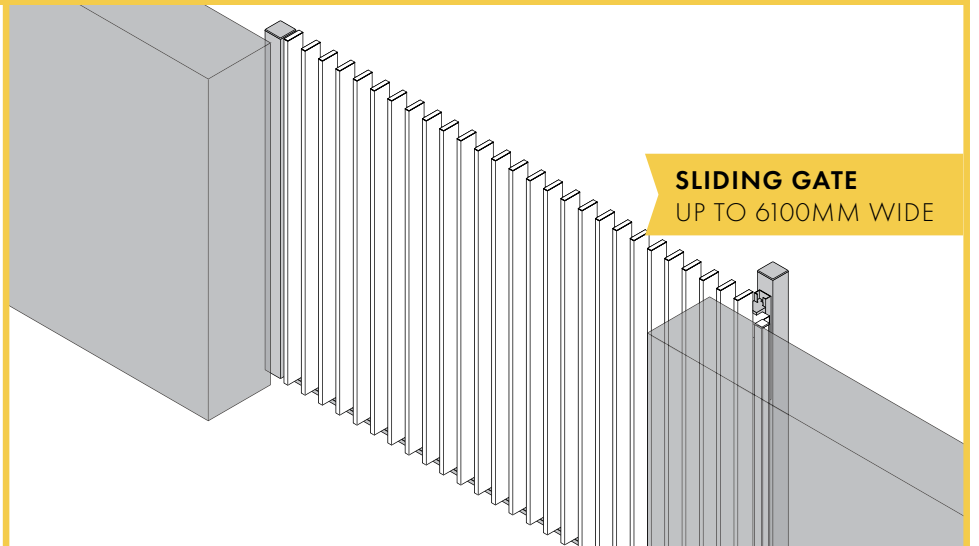


## Pedestrian gates & sliding gates available

SIMPLY PROVIDE YOUR MEASUREMENTS AND WE CUT TO SIZE AND FLAT PACK FOR QUICK AND EASY NON-WELD ASSEMBLY!



**PEDESTRIAN GATE**  
UP TO 1500MM WIDE



**SLIDING GATE**  
UP TO 6100MM WIDE



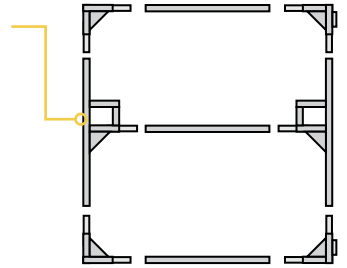


# QUICKFRAME

## The easiest and most cost effective gate and panel framing system!

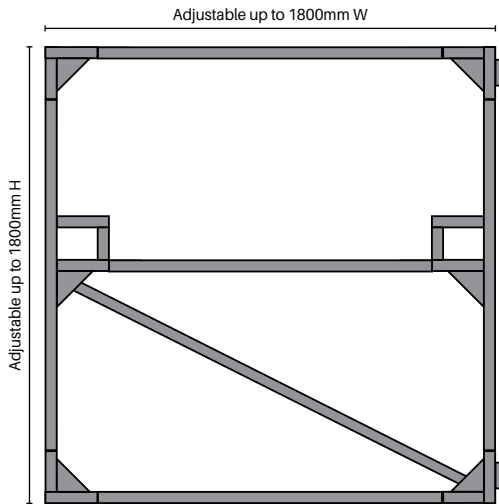
Simply assemble panels or gates and screw on cladding

- Corner stake construction with steel tube connector rails
- Height and width adjustable gate & panel frames
- Gates include pre-welded hinges
- Constructed with durable galvanised steel
- Simply screw on cladding: timber, colourbond, aluminium or similar
- Gates & panels – fast, easy & cost effective!

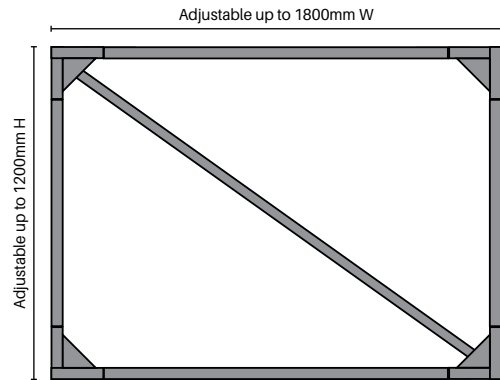


### Pre-welded hinges included with all gates

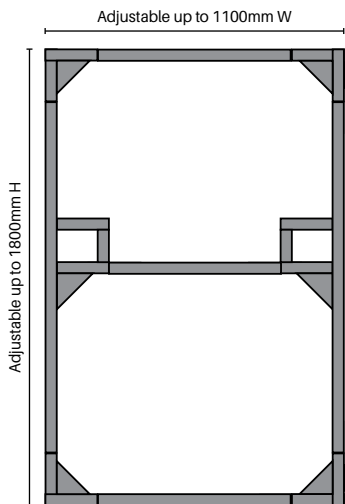
Simply hang gate on included hinge receivers



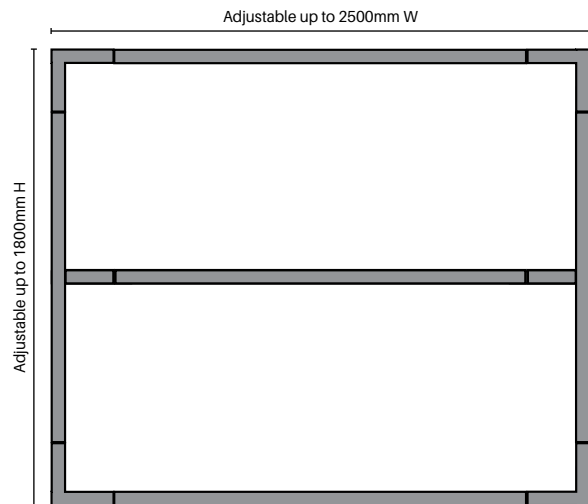
**Gate**  
1800MM W x 1800MM H  
**Hinges included**  
Order Code: QFG-1800-1800



**Gate**  
1800MM W x 1200MM H  
**Hinges included**  
Order Code: QFG-1800-1200



**Gate**  
1100MM W x 1800MM H  
**Hinges included**  
Order Code: QFG-1100-1800



**Panel**  
2500MM W x 1800MM H  
Order Code: QFP-2500-1800



# QUICKFRAME

## GATE INSTALLATION

### 1 MEASURE

Determine width and height of gate by measuring between gate posts.

Allow clearance for hinges & latch:

- 15 to 30mm for a single gate
- 30 to 50mm for a double gate

*Don't forget to allow for ground clearance.*

### 2 MARK AND CUT TO SIZE

Mark the horizontal rails at the required length, they should be **300mm shorter** than gate width to allow for 2 gate corner pieces.

Mark the vertical rails at the required length, again allow **300mm** for the corner pieces.

*To keep the mid-rail in the centre of the gate, trim an even amount off each end of vertical rails.*

Check measurements and cut to the marked size.

### 3 ASSEMBLY

Determine which side the gate is hinged on.

Determine the top & bottom hinge (depends on whether swinging in or out).

Insert vertical rail into the 2 hinged corners.

Insert other vertical Rail into the remaining two corners.

Insert all Horizontal Rails.

Lay crossbrace on top of the gate ensuring it starts at the bottom near a hinged corner and ends at the opposing corner, mark and cut to size (if applicable).

Next separate bottom corner piece from the rails, fit the cross brace in position, and refit the corner piece (if applicable).

Check that the frame is square, then secure all parts in place with the screws provided.

### 4 HINGE ADJUSTMENT

The gate should slide down on to the hinge plates and the oil cap and ball bearing should be at the top of both hinges.

If they are not, they can be easily reversed, just remove the oil cap, then use the hinge plate and a hammer to gently tap the ball bearing until it snaps into top position.

Finally insert the Oil Cap on the top of the hinge.

*Do not install with hinge upside down, ie. with ball bearing and cap at bottom of hinge, this allows water to fill hinge barrel and can cause hinge seizure.*

### 5 INSTALL THE GATE

With the hinge plates in place, place the gate frame in position. Use a chock if needed to get the correct height.

Check that the gate is aligned correctly, then screw the hinge plates to the post.

Check that the gate opens & closes freely, adjust the hinge position on the post if necessary.

### 6 FINISHING

Fit the cladding and latch to the Gate Frame as required.

When fixing to the frame, do not pre-drill; use self-drilling screws (length approximately the thickness of material being fixed plus 20mm).

## PANEL INSTALLATION

### 1 MEASURE

Determine width and height of panel by measuring between fence posts.

*Don't forget to allow for ground clearance.*

### 2 MARK AND CUT TO SIZE

Mark the horizontal rails at the required length, they should be **300mm shorter** than panel width to allow for 2 corner pieces.

Mark the vertical rails at the required length, again allow **300mm** for the corner pieces.

Check measurements and cut to the marked size.

### 3 ASSEMBLY

Insert vertical rail into 2 corners.

Insert other vertical rail into the remaining two corners.

Insert all Horizontal Rails.

Check that the frame is square, then secure all parts in place with the screws provided.

### 4 FIXING TO POSTS

Align panel with post and drill pilot holes in vertical rails to suits screws, then fix panel to posts.

### 6 FINISHING

Fit the cladding and latch to the Gate Frame as required.

When fixing to the frame, do not pre-drill; use self-drilling screws (length approximately the thickness of material being fixed plus 20mm).





# ALUMINIUM TUBULAR POSTS



## 50x50mm base plated post

1300mm OR 1600mm H

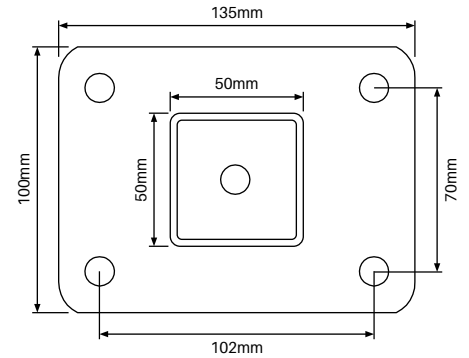
**Black or monument finish**

Order Code: **SS-1300-BP-B/MN**

**SS-1600-BP-B/MN**

- 50mm x 50mm post with welded base plate (8mm thick base plate - 4x Ø11mm fixing holes)
- 1.8mm wall thickness
- Alloy 6063 - T6
- Free black top cap included

*\*\*Primrose colour available from Adelaide depot*



## 50x50mm core drill post

1800mm OR 2100mm H

**Black or monument finish**

Order Code: **SS-1800-B/MN**

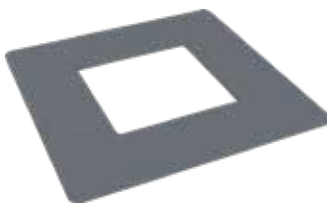
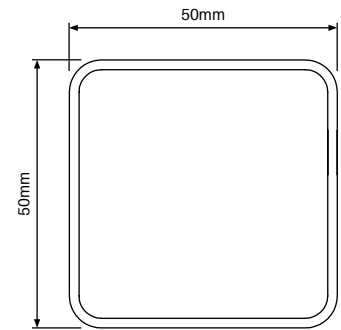
**SS-2100-B/MN**

- 50mm x 50mm core drill post with anchor fin at bottom for sturdy embedment
- 1.8mm wall thickness
- Alloy 6063 - T6
- Free black top cap included

*\*\*Primrose colour available from Adelaide depot*



ANCHOR FIN



## 50x50mm post dress ring

POWDER COATED ALUMINIUM

**Black, monument, white or mill finish**

Order Code: **XP-DR-B/MN/W/M**

- Suits all 50x50mm core drill posts
- 100mm x 100mm outer - 52mm x 52mm inner



## Two part domical cover

POWDER COATED ALUMINIUM

**Black or monument finish**

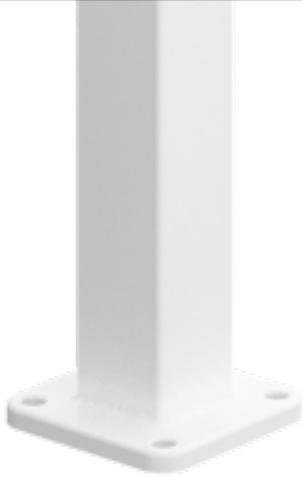
Order Code: **SS-DC-B/MN**

- 2 part domical cover for base plated tubular fence post
- Suits 135x100mm base plate
- Can be fitted after fence installation





# WHITE TUBULAR POSTS



## 50x50mm base plated post

1300mm H

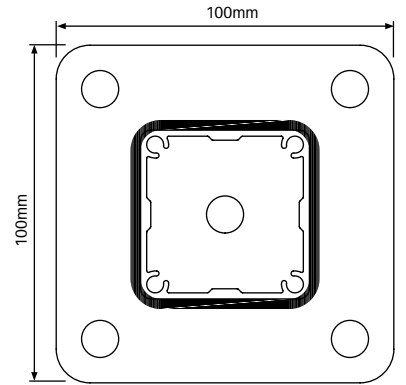
**Pearl white finish**

Order Code: **XP-1300-BP-W**

- 50mm x 50mm post with welded base plate (10mm thick base plate - 4x Ø11mm fixing holes)
- 1.8mm wall thickness with 3mm ribs
- Alloy 6063 - T6
- Free white powder coated aluminium top cap included

### TRADE TIP

For 1600mm base plated post, use an 1800mm post (Code XP-1800-FP) and cut down. Then screw fix on a 100x100mm base plate (CODE: XP-BP-SET-W). Refer page 54 for more info.



## Two part domical cover

POWDER COATED ALUMINIUM

**Pearl white finish**

Order Code: **XP-DC-2P-W**

- 2 part domical cover for base plated post
- Suits 100x100mm base plate
- 106 x 106mm outer; 52 x 52mm inner
- Can be fitted after fence installation



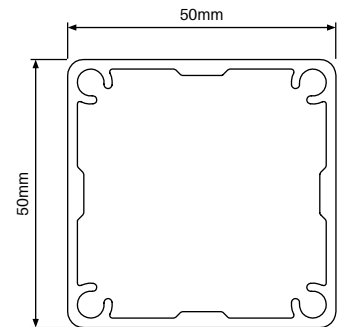
## 50x50mm core drill post

1800mm OR 2400mm H

**Pearl white finish**

Order Code: **XP-1800-FP-W**  
**XP-2400-FP-W**

- 50mm x 50mm core drill post
- 1.8mm wall thickness with 3mm ribs
- Alloy 6063 - T6
- Free white powder coated aluminium top cap included
- For optional dress ring, refer opposite page: code XP-DR-W



# 50X50MM ALUMINIUM POSTS



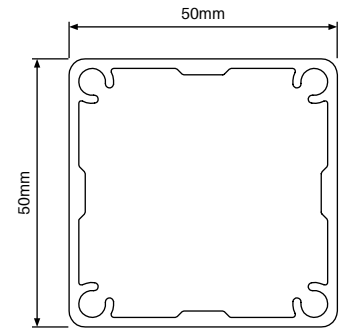
## 50x50mm full post

2400mm or 6000mm H

**Black, woodland grey, pearl white, monument or mill finish**

Order Code: XP-2400/6000-FP-B/G/W/MN/M

- Alloy 6063 - T6
- 1.8mm wall thickness with 3mm ribs
- Screw flutes to screw on base plate if required
- Provides extra strength compared to standard tubular posts if required
- Free aluminium powder coated press-in top plate included with 2400mm posts; not included with 6000mm lengths



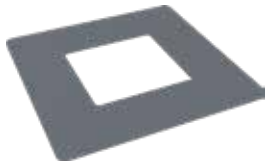
## 50x50mm post flat top plate

POWDER COATED ALUMINIUM

**Black, woodland grey, white, monument or mill finish**

Order Code: XP-TP-B/G/W/MN/M

- Alloy ADC12 aluminium cap
- Press into post screw flutes for secure fixing
- 2400mm H posts come with free top plate included - only purchase if extra top plates are required or if 6000mm lengths purchased



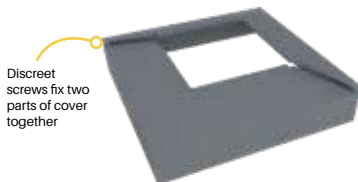
## 50x50mm post dress ring

POWDER COATED ALUMINIUM

**Black, woodland grey, white, monument or mill finish**

Order Code: XP-DR-B/G/W/MN/M

- Suits all 50x50mm core drill posts
- 100mm x 100mm outer - 52mm x 52mm inner



## Two part domical cover

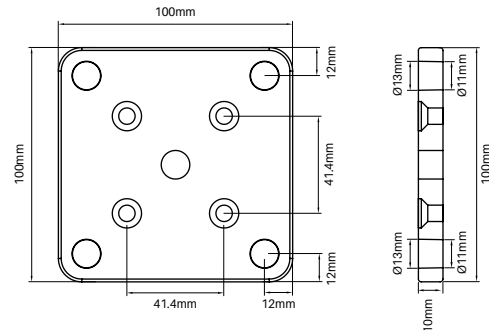
POWDER COATED ALUMINIUM

**Black, woodland grey, white, monument or mill finish**

Order Code: XP-DC-2P-B/G/W/MN/M

- 106x106mm outer - 52x52mm inner - Alloy ADC12
- Suits screw fixed base plated posts - does not suit welded 134x100mm base plated posts or 115x100mm base plate sets
- Cover can be fitted to posts after fence is installed

## SUITS XP-2400/6000-FP

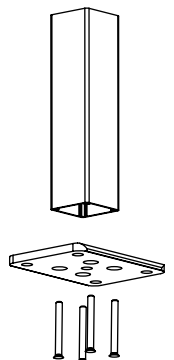


## 50x50mm post base plate set

POWDER COATED ALUMINIUM  
**Black, woodland grey, white, monument or mill finish**

Order Code: XP-BP-SET-B/G/W/MN/M

- Simply screw base plate onto core drill post
- 4x 12G x 50mm long CSK screws included in set
- Suitable for pool fencing load requirements





# 65X65MM ALUMINIUM POSTS



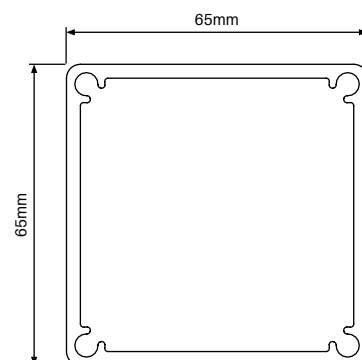
## 65x65mm heavy duty post

2400mm or 6000mm H

**Black, woodland grey, monument, pearl white or mill finish**

Order Code: **XP-2400-65HD-B/G/MN/W/M**

- 65x65mm larger profile, heavy duty post
- Alloy 6063 - T6
- 3mm wall thickness
- Screw flutes to screw on base plate if required
- Free aluminium powder coated press-in top plate included with 2400mm posts; not included with 6000mm lengths



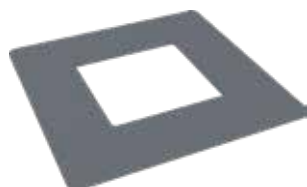
## 65x65mm post flat top plate

**POWDER COATED ALUMINIUM**

**Black, woodland grey, monument, white or mill finish**

Order Code: **XP-65TP-B/G/MN/W/M**

- Alloy ADC12 aluminium cap
- Press into post screw flutes for secure fixing
- Posts come with free top plate included - only purchase if extra top plates are required or if 6000mm lengths purchased



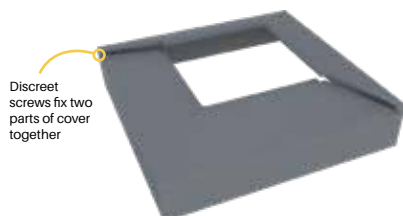
## 65x65mm post dress ring

**POWDER COATED ALUMINIUM**

**Black, woodland grey, monument, white or mill finish**

Order Code: **XP-65DR-B/G/MN/W/M**

- Suits 65x65mm heavy duty post
- 115mm x 115mm outer - 67mm x 67mm inner



## Two part domical cover

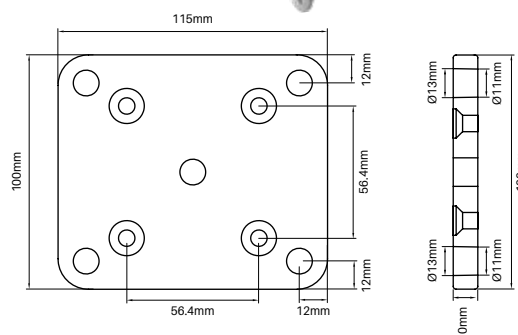
**POWDER COATED ALUMINIUM**

**Black, woodland grey, monument, white or mill finish**

Order Code: **XP-65DC-2P-B/G/MN/W/M**

- 122x106mm outer - 67x67mm inner - Alloy ADC12
- Suits screw fixed base plated posts - does not suit welded 134x100mm base plated posts or 115x100mm base plate sets
- Cover can be fitted to posts after fence is installed

## SUITS XP-2400/6000-65HD



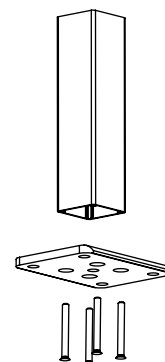
## 65x65mm post base plate set

**POWDER COATED ALUMINIUM**

**Black, woodland grey, monument, white or mill finish**

Order Code: **XP-65BP-SET-B/G/MN/W/M**

- Simply screw base plate onto core drill post
- 4x 12G x 50mm long CSK screws included in set
- Suitable for pool fencing load requirements







# FENCING ACCESSORIES



## Horizontal brackets – 4 pack

POWDER COATED ALUMINIUM  
Black, white or monment finish

Primrose available from Adelaide depot

Order Code: **SS-BH4-B/W/MN**

- Suitable for 38mm x 25mm rail
- 2x fixing holes
- 4x brackets and 10x self tapping colour matched tek screws included in pack



## Vertical bracket

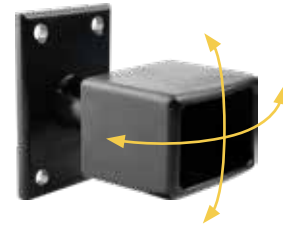
POWDER COATED ALUMINIUM

Single bracket

Black and monment finish

Order Code: **SS-BV-B/MN**

- Suitable for 38mm x 25mm rail
- Allows for install of panels at a vertical angle
- 2x fixing holes
- Fixing screws not included



## 360° bracket

NYLON

Single bracket

Black finish

Order Code: **SS-B360-B**

- Suitable for 38mm x 25mm rail
- Allows for 360° angle installation (side to side and up and down)
- 4x fixing holes
- Fixing screws not included

## Horizontal swivel bracket

POWDER COATED ALUMINIUM  
SINGLE BRACKET

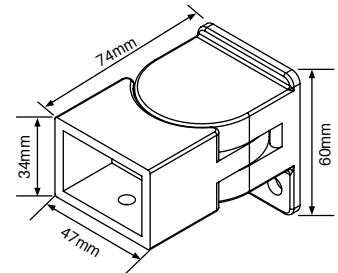
Satin black, monment & white powder coat

Order Code: **SS-BSWIV-HORIZ-B**  
**SS-BSWIV-HORIZ-MN**  
**SS-BSWIV-HORIZ-W**

- Suitable for 38x25mm rails
- Stylish solution for variable HORIZONTAL angle installation of panels
- Swivels 45 degree left and right from inline position (total 90 degree angle adjustment)
- 2 x fixing holes to post/wall
- Includes 3 x colour matched tek screws



AVAILABLE  
JANUARY  
2023



\*\*Swivels 45° left & right from inline position

## Vertical swivel bracket

POWDER COATED ALUMINIUM  
SINGLE BRACKET

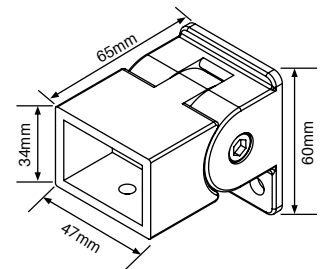
Satin black, monment & white powder coat

Order Code: **SS-BSWIV-VERT-B**  
**SS-BSWIV-VERT-MN**  
**SS-BSWIV-VERT-W**

- Suitable for 38x25mm rails
- Stylish solution for variable VERTICAL angle installation of panels
- Swivels 45 degree up and down from straight position (total 90 degree angle adjustment)
- 2 x fixing holes to post/wall
- Includes 3 x colour matched tek screws



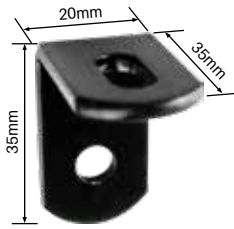
AVAILABLE  
JANUARY  
2023



\*\*Swivels 45° up & down from straight position



# FENCING ACCESSORIES

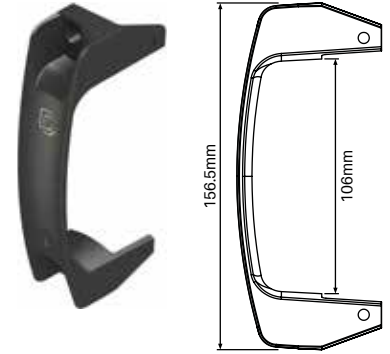


## Angle bracket

**Black finish**

Order Code: **SS-BA-B**

- Aluminium angle
- Allows for variable angle installation of panels
- 2x fixing holes
- An alternative to standard shrouds



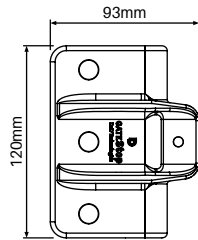
## D&D Gate handle

**Black polymer finish**

Order Code: **LL-GH**

D&D code: LL3GH

- Side-fixing legs for quick alignment
- Fits left-hand or right-hand opening gates
- Won't rust or stain: strong polymer construction



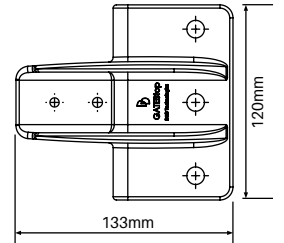
## D&D Gate stop

**Black polymer finish**

Order Code: **SS-GS**

D&D code: TCG53

- Ideal gate alignment device
- Prevents damage to latches & hinges
- Greatly reduces gate-slam noise
- Tough, durable polymer + rubber bumper



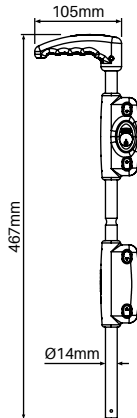
## D&D White Gate Stop

**White polymer finish**

Order Code: **SS-GS-W**

D&D code: TCG51WT

- Ideal gate alignment device
- Prevents damage to latches & hinges
- Greatly reduces gate-slam noise
- Tough, durable polymer + rubber bumper



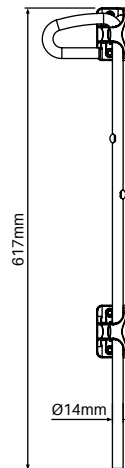
## D&D Premium lockable drop bolt

**Black finish**

Order Code: **LB-PL**

D&D code: LL118BX-LA

- 316 marine-grade stainless steel drop-rod
- Tough polymer-housing mounting system
- 6-pin lock (rekeyable to match doors & gate locks)



## D&D Padlockable drop bolt

**Black finish**

Order Code: **QB124**

D&D code: QB124

- Powder coated black, stainless steel drop-bolt
- Padlockable (\*Padlock not included)
- Tough, moulded polymer mounting system



## Drop bolt

**Black or zinc plated finish**

Order Code: **SS-0300DB-B/ZP**

- Ideal for driveway gates
- Cost effective drop bolt
- Easy to install
- 3000mm long



# FENCING ACCESSORIES

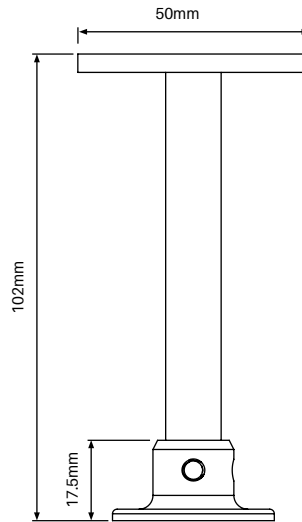


## 100mm support foot

HEIGHT ADJUSTABLE  
SS316 / polish finish

Order Code: **XP-FOOT-ADJ**

- Height adjustable support foot
- Easily height adjustable (from 25mm up to 100mm) - stainless steel stem can be cut down and bottom flange reattached with grub screw
- Handy foot for supporting products that have a wide span



Remove stem from base plate and cut to required length



## Flat top cap

Black polypropylene finish

Order Code: **SS-TC**

- Suits 50x50mm tubular fencing posts
- Internal fit top cap
- Black polypropylene



## Domed top cap

Black polypropylene finish

Order Code: **SS-TD**

- Suits 50x50mm tubular fencing posts
- Internal fit top cap
- Black polypropylene
- Stylish upgrade to standard flat caps



## CPR sign

Order Code: **CPR**

- Genuine royal life saving society - Australia resuscitation chart
- Plastic coated for durability



## Concrete mix

20KG BAG

Order Code: **GROUT-CONCRETE**

- Quality blend of GP cement, aggregate & sand - just add water
- Ideal for high strength concreting of posts
- Set concrete (Code: GROUT-KWIKSET)



## Polaris grout

10kg bag

Order Code:

**GROUT-POL-10KG**

- Non shrink grout
- Rapid setting
- Aggregate free



## Bostik HES grout

20kg bag

Order Code: **GROUT-BOS**

- Non shrink grout
- High early strength



## Sika HES grout

20kg bag

Order Code: **GROUT-SIKA**

- Non shrink grout
- High early strength



## Rapid set concrete

20kg bag

Order Code: **GROUT-RSC**

- Specially formulated for fast setting
- Just add water



Perth only

## KWIKSET concrete

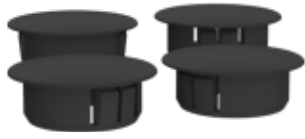
20kg bag

Order Code: **GROUT-KWIKSET**





# EXTRAS & ACCESSORIES



*Now available in white!*

## Post plugs

4 PACK

**Black or White finish**

Order code: **SS-POSTPLUG-4PK**

**SS-POSTPLUG-4PK-W**

- Ø32mm outer top suits 25mm hole
- Ideal for covering hole in post when affixing post to wall with inner fixing
- Suits post wall thickness 1.5mm – 3.2mm



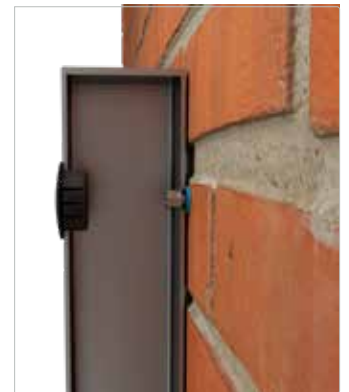
**1** Drill a 25mm diameter hole through front wall of post



**2** Drill rear wall of post with required diameter for fixing and then fix post to wall. Insert appropriate fixing into the wall for affixing post



**3** Once post is fixed to wall with appropriate fixing method, insert post plug to cover the post hole



**4** Repeat the process as required

## Horseshoe Packers

20 PACK

**Black finish**

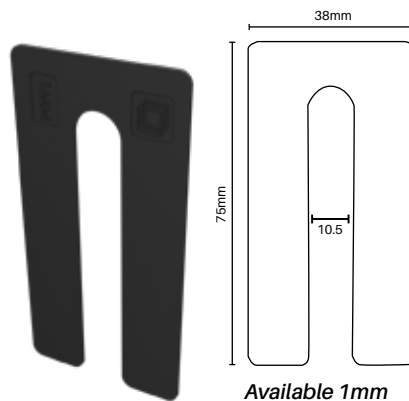
Order Code: **HSP-75X38-1MM-20PK**

1mm thick

**HSP-75X38-3MM-20PK**

3mm thick

- 38mm wide x 75mm long horseshoe packers
- 10.5mm slot
- Available in 1mm or 3mm thick (20 per pack)
- Durable black solid polypropylene
- Handy for levelling adjustments while installing
- Easy to cut down to required length



## Self drilling wafer screws

10Gx16mm – BAG OF 100

**Black / Monument / Woodland grey**

**Silver / Surfmist / White / Basalt**

**Dune / Mill finish**

Order Code: **XP-SCREWS**

- Bags of 100 – 10G x 16mm self drilling wafer head zinc plated
- Powder coated heads for neat finish
- Self drilling screws can be used in a variety of install applications

## Self drilling tek screws

12Gx20mm – BAG OF 100

Order Code: **SS-TS-100-B (Black)**

**SS-TS-100-G (Woodland grey)**

**SS-TS-100-MN (Monument)**

**SS-TS-100-P (Primrose)**

**SS-TS-100-PB (Paperbark)**

**SS-TS-100-S (Silver)**

**SS-TS-100-SM (Surfmist)**

**SS-TS-100-W (White)**



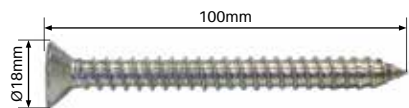
- Self drilling tek screw featuring integrated thread and drill/cutting tip
- 12G x 20mm tek screw with hex head
- Used in a variety of aluminium fencing applications
- Packed in convenient bags of 100 screws
- Available in a variety of powder coated head finishes – thread and tip not powder coated to ensure proper threading/cutting



# EXTRAS & ACCESSORIES

We offer a range of stainless steel 316 M10 and M12 fixings

## M10 FIXINGS

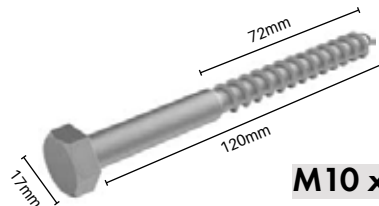


### Counter sunk timber screw – 4 pack

100MM LONG – SS316  
(Hex head drive)

Order Code: CSK-100-4PK

- Heavy duty self tapping screw - 100mm long with M10 thread - Ø18mm outer head
- Hex head drive
- Countersunk head allows for countersinking of aluminium base plates if required
- Pack of 4



### M10 x 120mm hex coach screw

SS316

Order Code: S-120COACH

- Use if base plating to timber substrate
- Ensure timber substrate is suitable for fixing to
- Sold as single screw



### M10 Timber fixing kit

4 PACK – SS316

Order Code: S-110LAG-4PK

- M10 x 110mm timber lag screws x4 with nuts and washers
- Pack of 4



### M10 Concrete fixing kit

4 PACK – SS316

Order Code: S-120ROD-4PK

- M10 x 120mm concrete threaded rods x4 with nuts and washers
- Pack of 4



### M10 dome nut

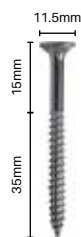
PACK OF 4 – SS316

Order Code: S-M10DN-4PK

- 4 x dome nuts & split washers
- Suits M10 thread

*Tip: if M10 fixing kit used, discard standard nuts from kit and replace with dome nuts*

## BATTEN SCREWS



### 50mm CSK batten screw

SS316  
14 gauge  
Order Code: CSK-050



### 75mm CSK batten screw

SS316  
14 gauge  
Order Code: CSK-075



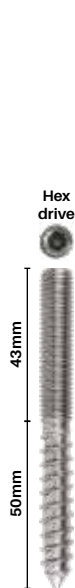
### M12 dome nut

PACK OF 4 – SS316

Order Code: GS-DN-4PK

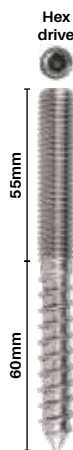
- 4x dome nuts & 4x split washers
- Suits M12 thread

## M12 FIXINGS



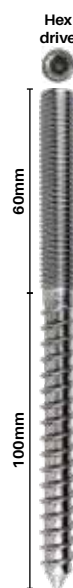
### 93mm lag screw

SS304  
M12 thread  
Order Code: GS093LAG



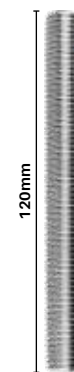
### 115mm lag screw

SS304  
M12 thread  
Order Code: GS115LAG



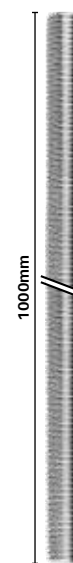
### 160mm lag screw

SS304  
M12 thread  
Order Code: GS160LAG



### 120mm threaded rod

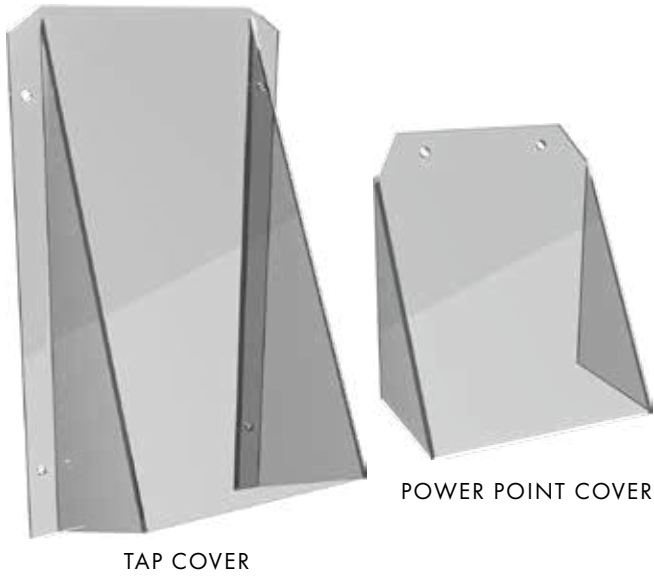
SS304  
M12 thread  
Order Code: GS120ROD



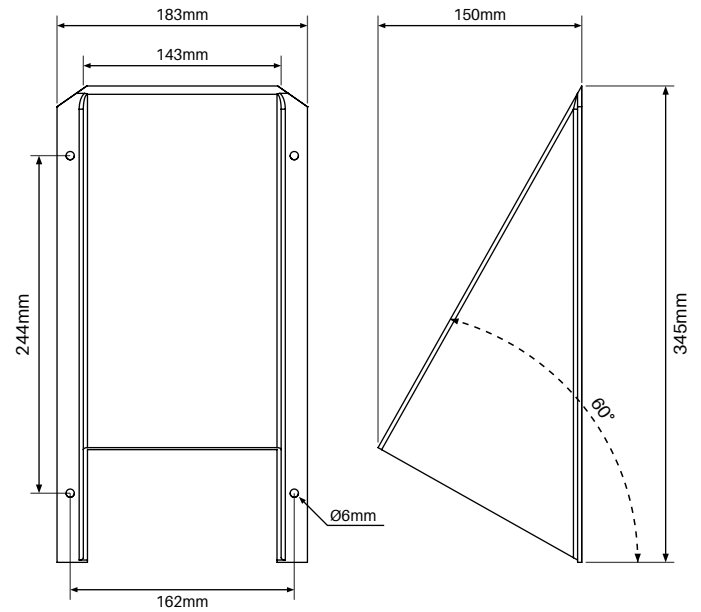
### 1000mm threaded rod

SS304  
M12 thread  
Order Code: GS1000ROD

# EXTRAS & ACCESSORIES



TAP COVER SPECIFICATION



## Toe hold prevention covers

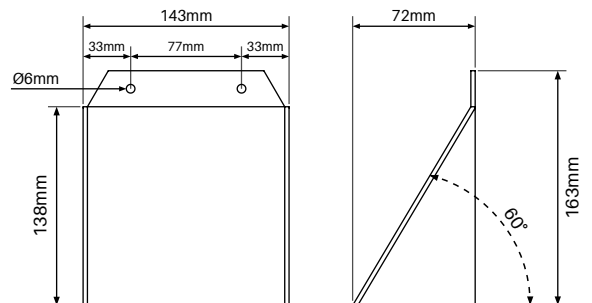
THERMOPLASTIC

Transparent finish

Order Code: **COVER-POWER** (Power point cover)  
**COVER-TAP** (Tap cover)

- Transparent thermoplastic
- Cover features 60 degree angle to prevent a toe hold
- Ideal solution if tap or power point considered a step point
- Resistant to impact & chemicals
- Power point cover comes with 2 x predrilled fixing hole  
Includes 2 x SS316 screws (ST5x40mm) & 2 x wall plugs
- Tap cover comes with 4 x predrilled fixing hole  
Includes 4 x SS316 screws (ST5x40mm) & 4 x wall plugs

POWER POINT COVER SPECIFICATION





# SILICONE, EPOXY & FIXINGS



## Soudal silicone

**TRANSLUCENT – 300mL**  
Order Code: **SODU-KBS-TRANS**

- Translucent finish
- High quality, neutral cure silicone
- Easy to smooth & finish
- For sealing, waterproofing and bonding applications
- Contains mould & mildew inhibitors
- Colourfast and UV resistant
- Strong adhesion to glass, tile, ceramics, aluminium, metals (including powder-coated & anodised), painted surfaces, fibreglass, stainless steel
- Use standard caulking gun



## Soudal silicone

**WHITE – 300mL**  
Order Code: **SODU-KBS-W**

- White finish
- High quality, neutral cure silicone
- Easy to smooth & finish
- For sealing, waterproofing and bonding applications
- Contains mould & mildew inhibitors
- Colourfast and UV resistant
- Strong adhesion to glass, tile, ceramics, aluminium, metals (including powder-coated & anodised), painted surfaces, fibreglass, stainless steel
- Use standard caulking gun



## Soudal all purpose silicone

**300mL**  
Order Code: **SODU-APS-B**

- Black finish
- High quality, neutral cure silicone
- Ultimate all rounder silicone (roof/gutter, kitchen/bathroom, glass/glazing)
- Sealing, waterproofing & bonding applications
- Strong adhesion to ceramics, glass, aluminium (including powder coated & anodised), PVC, stainless steel, zinc & galvanised coated surfaces, timber, concrete, fibreglass, laminate, painted surfaces, etc
- UV resistant with very good mould resistance (biocide with fungicidal action)
- Water potable & food safe
- Use standard caulking gun



## Soudafix CA1400 Chemical anchor

**280mL**  
Order Code: **SODU-CA1400**

- High performance, two-component chemical anchoring resin for the pressure-free securing of anchoring rods, studs, treaded collars etc
- Easy to use and apply
- Fast cure (20°C=45min full cure; 30°C=25min full cure)
- Vinyl ester styrene free
- Can be used in damp concrete
- Apply with standard caulking gun



## Soudal heavy duty cartridge gun

Order Code: **SODU-GUN**

- Heavy duty, steel trade quality cartridge gun
- Geared ratio 18:1 for smooth operation and easy application
- Dripless system feature automatically releases pressure to reduce mess/waste
- Suits 300ml silicone cartridges and 280ml chemical anchor



## Soudal Epofix 82A

**300g**  
Order Code: **SODU-EPOFIX**

- 24ml bottle
- Translucent fast curing 2 part epoxy
- Very strong bonding of many types of materials including metal, wood, glass and plastics



## Touch up paint

**150g SPRAY CAN**  
**Black / Monument / Woodland grey**  
**Silver / Surfmist / White / Basalt / Dune**

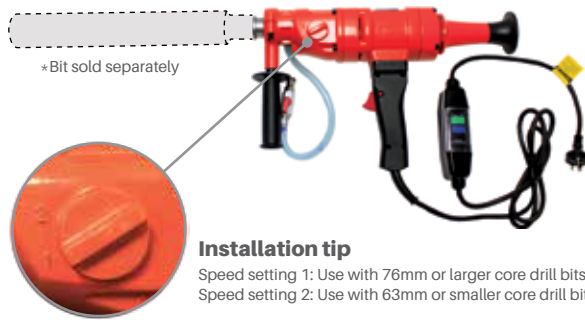
Order Code:  
**PAINT-B/G/MN/S/SM/W/BS/D**

- Colour match touch up paint
- Simply spray on for minor touch ups





# DIAMOND REVOLUTION DRILL



### Installation tip

Speed setting 1: Use with 76mm or larger core drill bits  
Speed setting 2: Use with 63mm or smaller core drill bits



### Diamond revolution stand

Suits diamond revolution core drill  
Order Code: REV-STAND

- Steel and aluminium construction
- Height: 800mm
- Base: 330mm x 380mm
- Weight: 12.6kg

### Diamond revolution drill

Core drill

Order Code: REV-CD-2S

- 2 speed core drill - 1500W
- Comes with case, allen key, spare set of brushes and manual
- Safety switch
- Uses common size 1 1/4" UNC male thread for diamond core bits

Technical data

Voltage: 240V

Rated frequency: 50-60Hz

Rated input power: 1500W

No load speed r/min: 2100/950

Weight: 8.8kg



### Core drill template

Order Code: REV-TEMPLATE

- Assists with starting to core drill hole
- Stabilises the drill bit from jumping



### Spirit level for core drill

Order Code: REV-LEVEL

- Screws into core drill machine
- Assists with drilling accurate holes



### Splash guard/ water trap

Order Code: REV-GUARD



### Base for stand

Order Code: REV-BASE

- 550mm x 550mm overall dimensions

## Core drill bits Mild steel body & diamond impregnated crown tip



### 8mm mini core drill bit

Order Code: REV-BIT-08



### 10mm mini core drill bit

Order Code: REV-BIT-10



### 12mm mini core drill bit

Order Code: REV-BIT-12



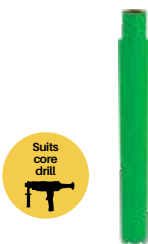
### 14mm mini core drill bit

Order Code: REV-BIT-14



### 20mm mini core drill bit

Order Code: REV-BIT-20



### 53mm core drill bit

53mm x 450mm long  
Order Code: REV-BIT-53



### 63mm core drill bit

63mm x 450mm long  
Order Code: REV-BIT-63



### 76mm core drill bit

76mm x 450mm long  
Order Code: REV-BIT-76



### 83mm core drill bit

83mm x 450mm long  
Order Code: REV-BIT-83



### 89mm core drill bit

89mm x 450mm long  
Order Code: REV-BIT-89



# GATE ACCESSORIES

## Butt Hinge Pair

PAIR OF 2 (includes 17 x matching colour tek screws)

Order Code: **CB-HINGE-B-2PK**

**CB-HINGE-BS-2PK**

**CB-HINGE-G-2PK**

**CB-HINGE-M-2PK**

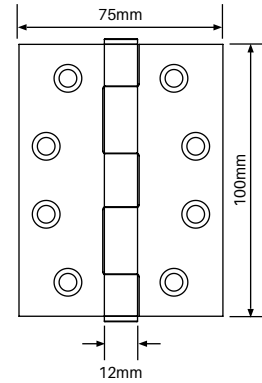
**CB-HINGE-MN-2PK**

**CB-HINGE-P-2PK**

**CB-HINGE-PB-2PK**

**CB-HINGE-SM-2PK**

- Made from galvanised steel & powder coated
- 6.5mm diameter fixing holes
- 2.5mm thick hinge leaf
- Ideal for hinging of Colorbond® steel fencing gates



### COLORBOND® steel colours –



BASALT®  
(BS)



WOODLAND  
GREY®  
(G)



MONUMENT®  
(MN)



PAPERBARK®  
(PB)



DOMAIN®  
(PRIMROSE)  
(P)



SURFMIST®  
(SM)



BLACK  
(B)



SILVER/  
MILL  
(M)

### Other finishes –

## Latch Kit

INCLUDES D LATCH, STRIKER & EXTENDER

Order Code: **CB-LATCH-B**

**CB-LATCH-BS**

**CB-LATCH-G**

**CB-LATCH-M**

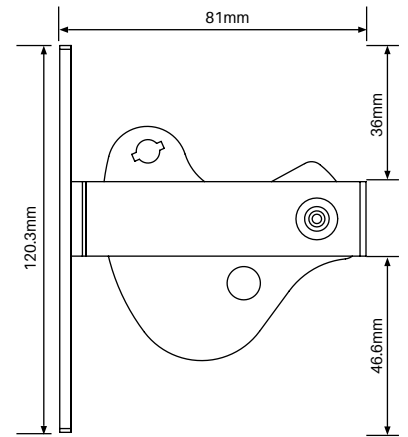
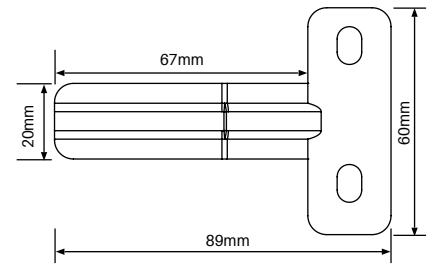
**CB-LATCH-MN**

**CB-LATCH-P**

**CB-LATCH-PB**

**CB-LATCH-SM**

- Made from galvanised steel & powder coated
- Includes 4 x matching colour tek screws
- Cost effective latch solution
- Specially designed for latching of Colorbond® steel gates



### COLORBOND® steel colours –



BASALT®  
(BS)



WOODLAND  
GREY®  
(G)



MONUMENT®  
(MN)



PAPERBARK®  
(PB)



DOMAIN®  
(PRIMROSE)  
(P)



SURFMIST®  
(SM)



BLACK  
(B)



SILVER/  
MILL  
(M)

### Other finishes –





# Our range of gate hinges

D&D hinges available as single items or buy in carton lots for large bulk buy discounts on selected lines



**D** TRU**Close**

**TruClose® hinge pair**  
NO ALIGNMENT LEGS  
Order Code: TC-H-AT-B  
D&D Code: TCA1S3BT



**D** TRU**Close**

**TruClose® hinge pair**  
2 ALIGNMENT LEGS  
Order Code: TC-H-AT-2L-B  
D&D Code: TCA1L23BT



**D** TRU**Close** HEAVY DUTY

**TruClose® hinge pair**  
Heavy duty  
1 ALIGNMENT LEG  
Order Code: TC-H-AT-HD-B  
D&D Code: TCHD1AL1S3BT



**D** TRU**Close** HEAVY DUTY

**TruClose® hinge pair**  
Heavy duty  
2 ALIGNMENT LEGS  
Order Code: TC-H-AT-HD-2L-B  
D&D Code: TCHD1AL2S3BT



**D** KWIK**Fit**

**Kwik Fit® hinge pair**  
FIXED TENSION  
Order Code: KF-H-FT  
D&D Code: KF3S



**D** KWIK**Fit**

**Kwik Fit® hinge pair**  
NO TENSION  
Order Code: KF-H-NT  
D&D Code: KF3P



**D** KWIK**Fit** ALUMINIUM

**Kwik Fit® Aluminium**  
hinge pair  
ADJUSTABLE TENSION  
Order Code: KF-AH-AT  
D&D Code: KF3ABL



**SureClose® Readyfit**  
hydraulic hinge closer  
2 ALIGNMENT LEGS  
Order Code: SURECLOSE -HH  
D&D Code: 74108313



**SureClose®**  
Readyfit hinge  
non self closing  
closer  
2 ALIGNMENT LEGS  
Order Code: SURECLOSE -NSC  
D&D Code: 74001313



# GATE HINGES

**19mm**  
gap spacing

**No**  
alignment legs

(variable spacing achievable)



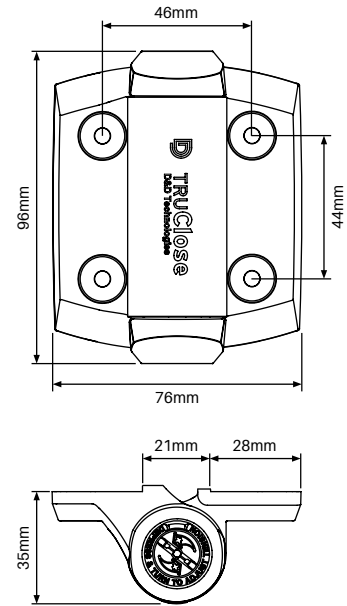
## TruClose® hinge pair

### NO ALIGNMENT LEGS

Order Code: TC-H-AT-B (Pair)  
BB-TC-H-AT-B (\*Bulk buy)

D&D code: TCA1S3BT

- D&D patented tension adjustment
- Strong, moulded polymer and stainless steel
- Adjust tension from both ends of the hinge
- No visible fixings
- Decorative trim covers available in black finish
- Super strong engineering polymers and stainless steel components
- Won't rust, bind, sag or stain
- Limited lifetime warranty
- Pool fencing compliant - Rated for **gates up to 30kg**



### Certi cap – Series 3

Order Code: TC-CAPS3

D&D code: TCACAPS3



- Prevents toe hold on hinge
- Durable polymer material

**No alignment legs on hinge allows for flexibility when positioning gate onto post**

\*BULK BUY CARTON QTY: 20 PAIRS

**Reinforcing ribs**  
Moulded ribs provide super strength

**Patented adjuster**  
Easy tension adjustment

**Concealed fasteners**  
Trim covers hide the fasteners to improve the appearance of the gate



**Internal stainless steel spring**  
Won't rust or corrode

**Moulded hinge body**  
Engineering polymers with glass fibre reinforcement are UV stabilised



\*Black trim covers only

**21mm**  
gap spacing

**2**  
alignment legs



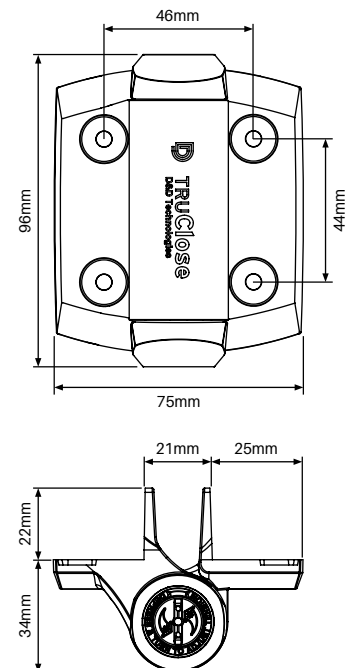
## TruClose® hinge pair

### 2 ALIGNMENT LEGS

Order Code: TC-H-AT-2L-B (Pair)  
BB-TC-H-AT-2L-B (\*Bulk buy)

D&D code: TCA1L2S3BT

- D&D patented tension adjustment
- Strong, moulded polymer and stainless steel
- Adjust tension from both ends of the hinge
- No visible fixings
- Decorative trim covers available in black finish
- Super strong engineering polymers and stainless steel components
- Won't rust, bind, sag or stain
- Limited lifetime warranty
- Pool fencing compliant - Rated for **gates up to 30kg**



### Certi cap – Series 3

Order Code: TC-CAPS3

D&D code: TCACAPS3



- Prevents toe hold on hinge
- Durable polymer material

**Two alignment legs on hinge allows for quick, easy and accurate positioning of gate onto post**

\*BULK BUY CARTON QTY: 20 PAIRS





# GATE HINGES

19mm  
gap spacing

1  
alignment leg



**TRUClose® HEAVY DUTY**

## TruClose® hinge pair Heavy duty

### 1 ALIGNMENT LEG

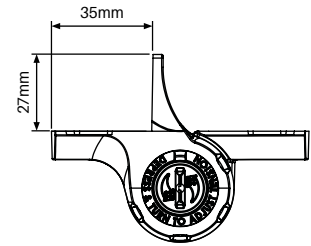
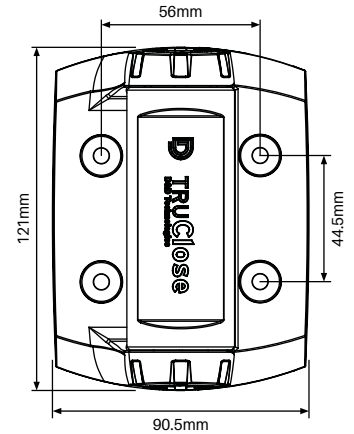
Order Code: TC-H-AT-HD-B (Pair)  
BB-TC-H-AT-HD-B (\*Bulk buy)

D&D code: TCHD1AL1S3BT

- D&D patented tension adjustment
- Strong, moulded polymer and stainless steel
- Adjust tension from both ends of the hinge
- No visible fixings
- Decorative trim covers available in black finish
- Super strong engineering polymers and stainless steel components
- Won't rust, bind, sag or stain
- Limited lifetime warranty
- Pool fencing compliant - Rated for gates up to 70kg

One alignment leg on hinge allows for quick and sturdy fixing on one side with flexible positioning on the other side

\*BULK BUY CARTON QTY: 20 PAIRS



21mm  
gap spacing

2  
alignment legs



**TRUClose® HEAVY DUTY**

## TruClose® hinge pair Heavy duty

### 2 ALIGNMENT LEGS

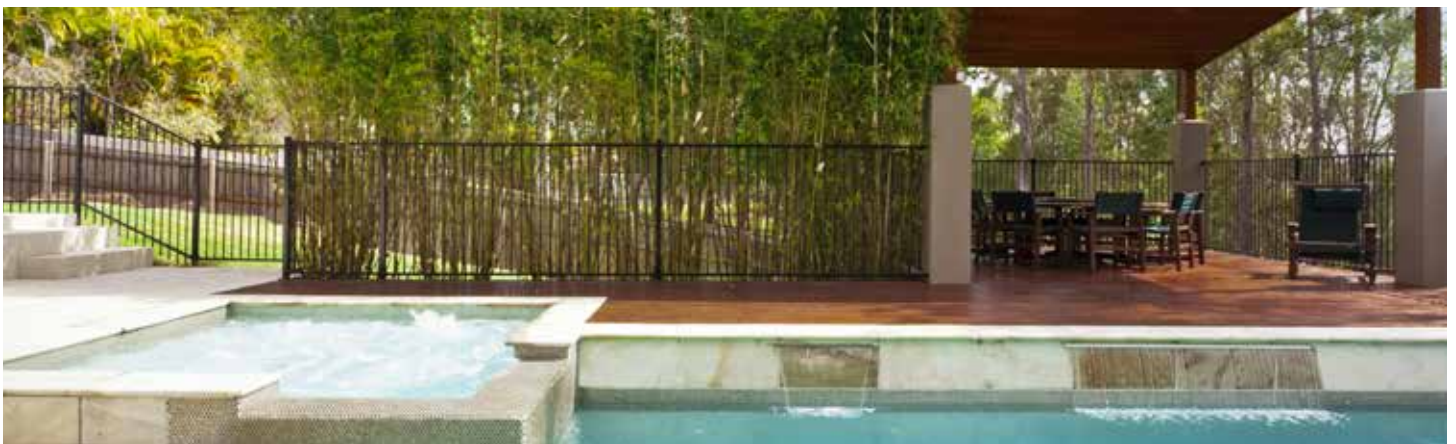
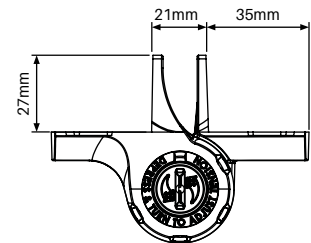
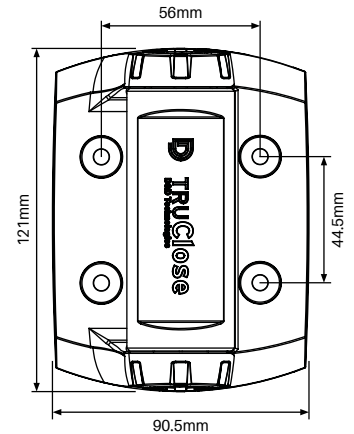
Order Code: TC-H-AT-HD-2L-B (Pair)  
BB-TC-H-AT-HD-2L-B (\*Bulk buy)

D&D code: TCHD1AL2S3BT

- D&D patented tension adjustment
- Strong, moulded polymer and stainless steel
- Adjust tension from both ends of the hinge
- No visible fixings
- Decorative trim covers available in black finish
- Super strong engineering polymers and stainless steel components
- Stylish and contemporary design
- Won't rust, bind, sag or stain!
- Limited lifetime warranty
- Pool fencing compliant - Rated for gates up to 70kg

Two alignment legs on hinge allows for quick, easy and accurate positioning of gate onto post

\*BULK BUY CARTON QTY: 20 PAIRS





# GATE HINGES

20mm  
gap spacing

Fixed tension



## Kwik Fit® hinge pair

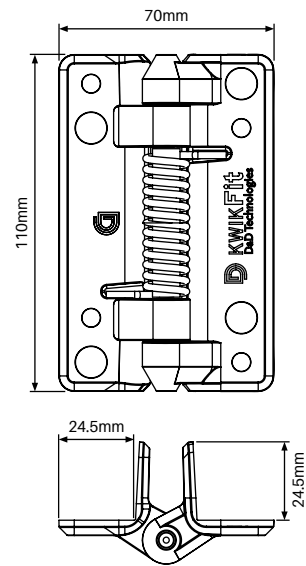
FIXED TENSION

Order Code: KF-H-FT (Pair)  
BB-KF-H-FT (\*Bulk buy)

D&D code: KF35

- Self closing fixed tension hinges
- Rated to 20kg self close (D&D)
- Alignment legs for ease of fitting
- Strong polymer and stainless steel
- Torsion spring construction
- Pool fencing compliant

\*BULK BUY CARTON QTY: 50 PAIRS



20mm  
gap spacing

No tension



## Kwik Fit® hinge pair

NO TENSION

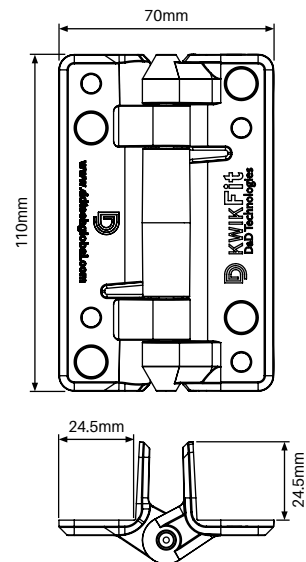
Order Code: KF-H-NT (Pair)  
BB-KF-H-NT (\*Bulk buy)

D&D code: KF3P

- Standard pivot hinges (No self close)
- Rated to 25kg gates (D&D)
- Alignment legs for ease of fitting
- Strong polymer construction
- Ideal for boundary gates

**Not pool fencing compliant**

\*BULK BUY CARTON QTY: 50 PAIRS





# GATE HINGES

**19mm**  
gap spacing

**Adjustable**  
tension

POST TO GATE  
INSTALLATION



OR

WALL TO GATE  
INSTALLATION



**D** **KWIKFit** **ALUMINIUM**

## Kwik Fit® Aluminium hinge pair

### ADJUSTABLE TENSION

Order Code: **KF-AH-AT** (Pair)  
**BB-KF-AH-AT** (\*Bulk buy)

D&D code: KF3ABL

- Powder coated black aluminium hinges
- D&D patented tension adjustment - 6 tension settings, adjustable from both ends
- Self closing hinge - closes gates up to 20kg per pair
- Internal stainless steel spring
- Wall and post mounting hinges
- Tested to over 300,000 cycles
- Pool fencing compliant

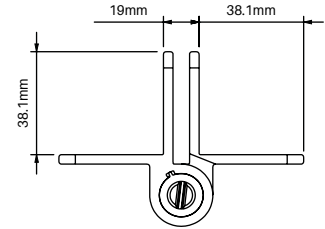
\*BULK BUY CARTON QTY: 16 PAIRS



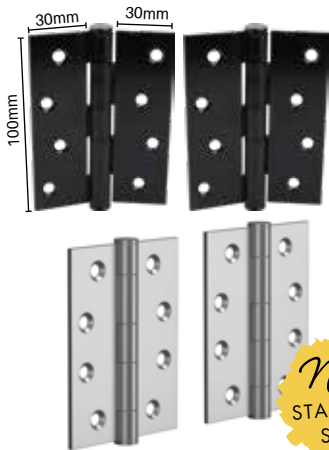
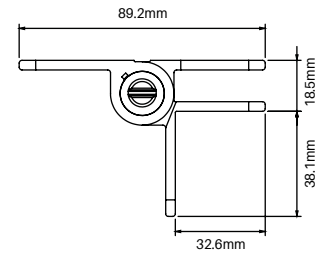
Wall to gate installation

**Fit to posts or walls**  
Adjustable fixing plate

POST TO GATE INSTALLATION



WALL TO GATE INSTALLATION



*New!*  
**STAINLESS**  
**STEEL**

## Butt hinge pair

100MM H x 75MM W

Order Code: **SS-BH10075-B** (Black)  
**SS-BH10075-S** (Satin)

- Cost effective where self closing hinge is not required
- Available in:
  - Zinc plated powder coated black, or
  - Satin stainless steel 304 grade
- Multiple fixing points - Ø6mm holes

**Not pool fencing compliant**



## Gudgeon hinge pair

Order Code: **SS-GH-B**

- Not self closing
- Suits 38x25mm vertical stile box section with open cavity at top & bottom

**Not pool fencing compliant**



## Wall/sq. post hinge set

SS316

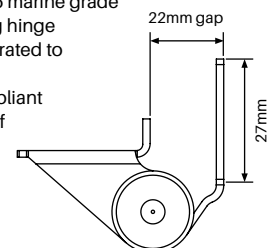
**Polish or satin finish**

Order Code: **MR-SPH-P** (Polish)

**MR-SPH-S** (Satin)

**MR-SPH-BLK** (Black)

- Stainless steel 316 marine grade
- Self closing spring hinge
- Cone cap incorporated to prevent toe hold
- Pool fencing compliant
- Weight capacity of 25kg per pair





# POLARIS 156 SERIES HINGE



## Overview

The Polaris 156 series hinge's adaptive design allows for multiple fixing points through the gate, its frame and/or post, making it adaptable to literally any hinged gate assembly.

The 156 series also features interchangeable dampers to switch out for various dampening setups. The hinge is constructed out of 2205 Duplex Stainless Steel and high quality plastic covers which are made to handle the harsh outdoors.

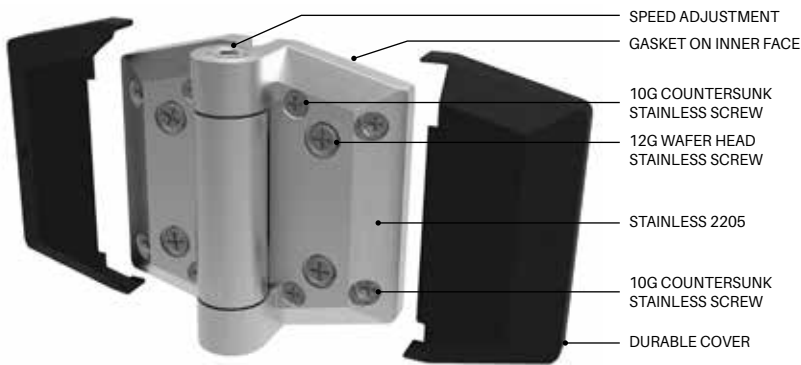
Featuring the "QUIK-ADJUST" Ratchet cap for simple speed adjustment and interchangeable dampers for a customised closing force.

## Polaris 156 Hinge

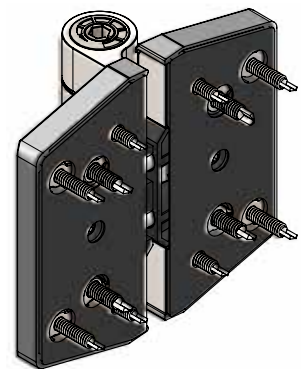
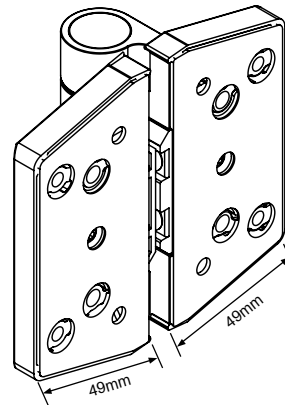
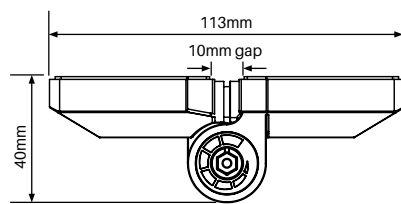
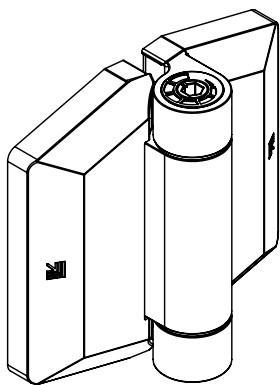
Surface Mount – Pair of 2

Order Code: **PSC-FM156**

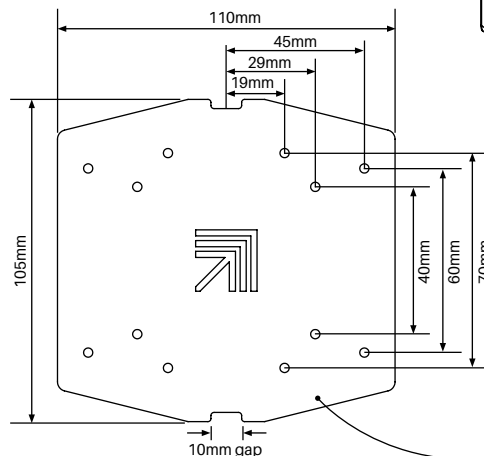
- Surface mount soft close hinge
- 6 x fixing points per side: use 2 or more fixings holes as needed to suit install situation.
- Black polycarbonate ABS blend covers included which hide screw fixings
- Spray paint covers any colour using acrylic spray paint
- Features patented Polaris soft close function
- Pool fencing compliant self closing hinge with easy ratchet adjustment of closing speed
- Screw fixings included
- Fixing template included in each box
- Self closing gates up to 45kg per pair



USE ACRYLIC SPRAY PAINT FOR EASY COLOUR CHANGE!



\*Up to 6 X fixing positions per side



TEMPLATE INCLUDED DETAILING EXACT FIXING HOLES POSSIBLE FOR EASY MARKING OUT





# GATE HINGES

**12-35mm**  
gap spacing



FIXING SCREWS SUPPLIED  
MIN POST SIZE: 50MM

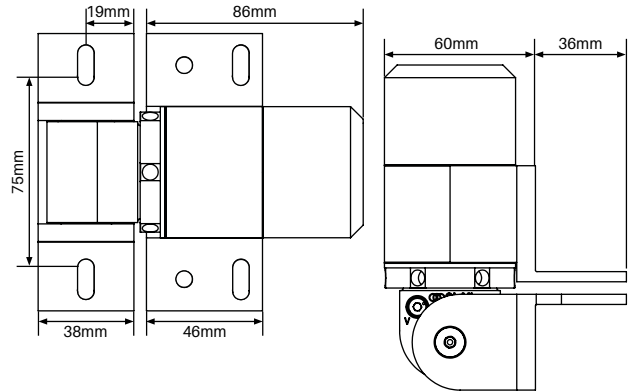


## Sureclose – Readyfit hinge

HYDRAULIC HINGE CLOSER  
2 ALIGNMENT LEGS

Order Code: **SURECLOSE-HH**  
D&D Order Code: **74108313**

- Ideal for commercial/industrial applications
- Easy install – screw on externally mounted
- Self close gates up to 120kg
- Heavy duty, 50 micron black anodised aluminium
- Sold as SINGLE hinge
- **SELF CLOSING FROM 83 degrees**
- **HOLDS OPEN AT 90 deg to 180 deg**
- **MAX GATE OPENING 178 deg**



**TRADE TIP:** Commonly a hydraulic closer hinge is installed on the bottom of the gate (SURECLOSE-HH) with the non self closing hinge at top of gate (SURECLOSE-NSC). For very heavy gates, 2 x closer hinges may be considered.

**12-35mm**  
gap spacing



FIXING SCREWS SUPPLIED  
MIN POST SIZE: 50MM

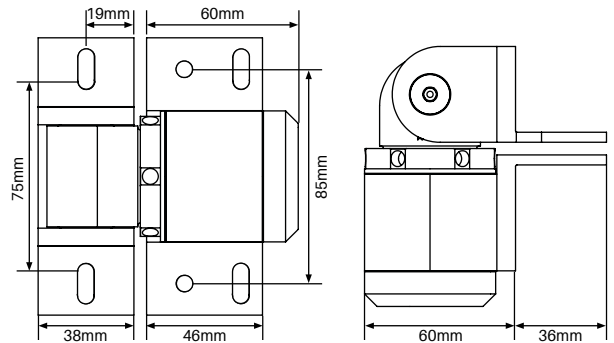


## Sureclose – Readyfit hinge

NON SELF CLOSING CLOSER  
2 ALIGNMENT LEGS

Order Code: **SURECLOSE-NSC**  
D&D Order Code: **74001313**

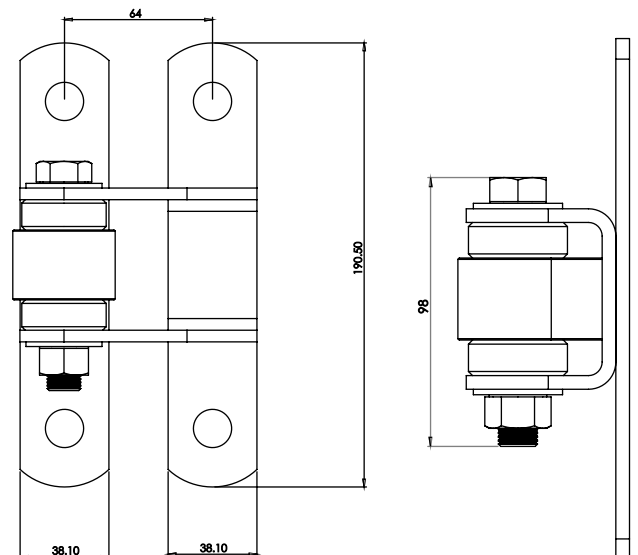
- Ideal for commercial/industrial applications
- Easy install – screw on externally mounted
- **NON SELF CLOSING** hinge
- Heavy duty, 50 micron black anodised aluminium
- Sold as SINGLE hinge
- **LOAD BEARING** non self closing hinge
- **MAX GATE OPENING 178 deg**



## Shut It™ heavy duty hinge

Order Code: **ZF-CI3720B**

- Heavy duty surface mount bolt on hinge
- Commonly used for school fencing gates
- Genuine D&D Technologies product
- Non self-closing; opens 180 degrees
- Steel zinc plated powder coated black
- Unique brushing design produces near frictionless movement with maintenance free usage
- Achieve gate gap as small as 14mm
- Features slotted holes allowing up to 13mm horizontal adjustment
- Sold as a single hinge (2x hinges required per gate)
- Rated to 250kg max per hinge





# Our range of gate latches



**D** LOKK**Latch** DELUXE

### Lokk Latch® deluxe

KEYED ALIKE

Order Code: LL-DL-KA

D&D Code: LLDABS2LA



**D** LOKK**Latch** DELUXE

### Lokk Latch® deluxe

KEYED TO DIFFER

Order Code: LL-DL

D&D Code: LLDABS2-L



**D** LOKK**Latch**

### Lokk Latch®

KEYED TO DIFFER

Order Code: LLA

D&D Code: LLA



**D** LOKK**Latch**

### Lokk Latch® external access kit

KEYED TO DIFFER

Order Code: LLB

D&D Code: LLB



**D** MAGNA**Latch**

### Top pull lockable latch

Order Code: ML-TL

D&D Code: ML3TPLA



**D** D&D Technologies  
Hi-Performance Hardware

### Face mount lockable latch

Order Code: MR-FMLS

D&D Code: MLSP52L



**D** D&D Technologies  
Hi-Performance Hardware

### T latch

Order Code: T-L

D&D Code: TL01



### D latch

Order Code: SS-DL-B



# GATE LATCHES

15-40mm  
gap spacing

KEYED ALIKE



Not pool fencing compliant

## LOKKLatch® DELUXE

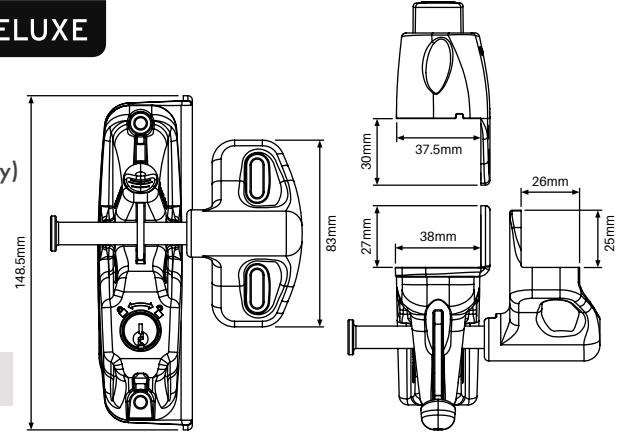
### Lokk Latch® deluxe

Order Code: LL-DL-KA (Single)  
BB-LL-DL-KA (\*Bulk buy)

D&D code: LLDABS2LA

- Lockable from both sides of gate
- Locks are keyed alike
- Rekeyable, 6-pin security lock
- Fits up to 150mm deep posts
- Black polymer

\*BULK BUY CARTON QTY: 20PCS



15-40mm  
gap spacing

KEYED TO DIFFER



Not pool fencing compliant

## LOKKLatch® DELUXE

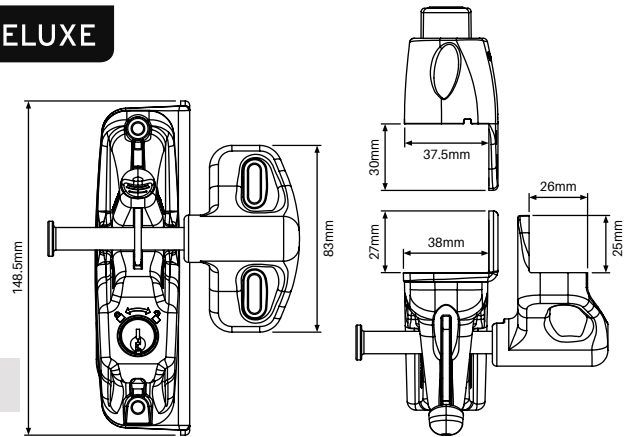
### Lokk Latch® deluxe

Order Code: LL-DL (Single)  
BB-LL-DL (\*Bulk buy)

D&D code: LLDABS2-L

- Lockable from both sides of gate
- Locks are keyed to differ
- Rekeyable, 6-pin security lock
- Fits up to 150mm deep posts
- Black polymer

\*BULK BUY CARTON QTY: 20PCS



15-40mm  
gap spacing

KEYED TO DIFFER



Not pool fencing compliant

## LOKKLatch®

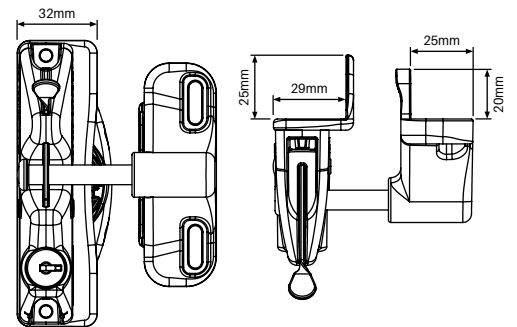
### Lokk Latch®

Order Code: LLAA (Single)  
BB-LLAA (\*Bulk buy)

D&D code: LLAA

- Ideal latch for home and garden gates
- Key lockable - no need for padlocks or chains
- Fit with or without External Access Kit (LLB)
- Quick and easy to install on all gate materials
- Strong polymer design will not rust or stain
- Minimum post size for fitting - 25mm

\*BULK BUY CARTON QTY: 20PCS



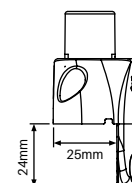
## LOKKLatch®

### Lokk Latch® external access kit

Order Code: LLB (Single)  
BB-LLB (\*Bulk buy)

D&D code: LLB

- Optional extra external access kit
- Matches with LLAA
- Allows opening of LLAA from other side of gate
- NOTE: locking external access button does not lock the main latch



\*BULK BUY CARTON QTY: 10PCS



# GATE LATCHES

13-38mm  
gap spacing



## MAGNALatch®

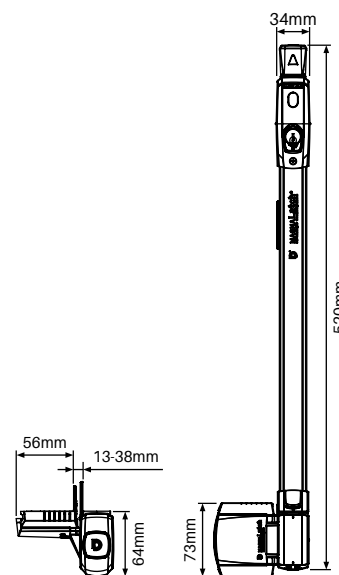
### Top pull lockable latch

Order Code: **ML-TL (Single)**  
**BB-ML-TL (\*Bulk buy)**

D&D code: ML3TPLA

- Magnetically triggered lockable latch
- Improved stylish "Series 3" design
- Adjusts horizontally and vertically
- Includes adjustable striker plate
- D&D Limited lifetime warranty
- Quick and easy installation
- Tested to over 400,000 cycles

\*BULK BUY CARTON QTY: 20PCS



8-10mm  
gap spacing



## D&D Technologies Hi-Performance Hardware

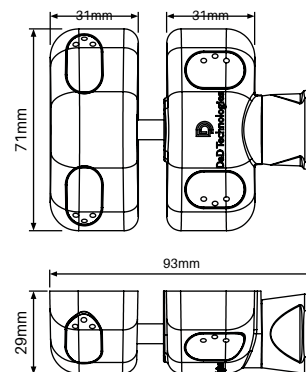
### Face mount lockable latch

Order Code: **MR-FMLS (Single)**  
**BB-MR-FMLS (\*Bulk buy)**

D&D code: MLSPS2L

- Suits retrofitting to previously fitted standard side pull latch installations
- Key lockable
- Adjusts horizontally and vertically
- Limited lifetime warranty
- Black polymer

\*BULK BUY CARTON QTY: 10PCS



10-45mm  
gap spacing



\*Padlock not included

## D&D Technologies Hi-Performance Hardware

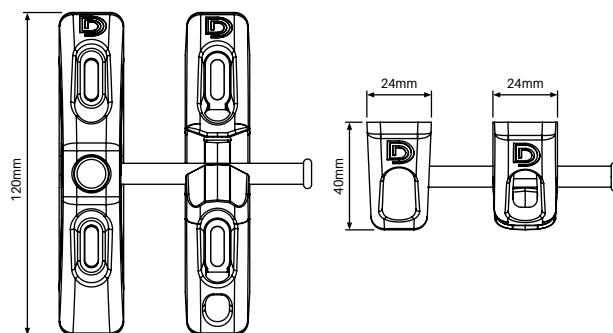
### T latch

Order Code: **T-L (Single)**  
**BB-T-L (\*Bulk buy)**

D&D code: TL01

- Padlockable toggle latch
- Lockable from one side only

\*BULK BUY CARTON QTY: 20PCS



Not pool fencing compliant

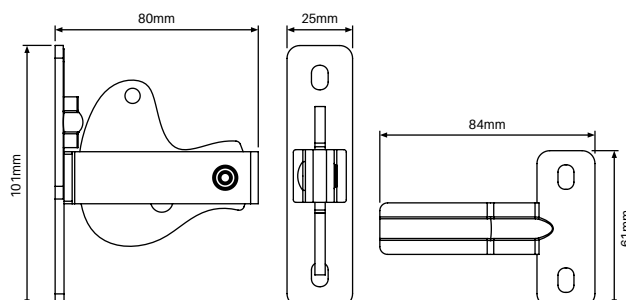
10-35mm  
gap spacing



### D latch

Order Code: **SS-DL-B**

- Easy to install D latch and striker
- Includes 4x tek screws
- Cost effective latching solution



Not pool fencing compliant





# GATE LATCH & HINGE KITS



## Magna Latch® with Kwik Fit® hinge pair

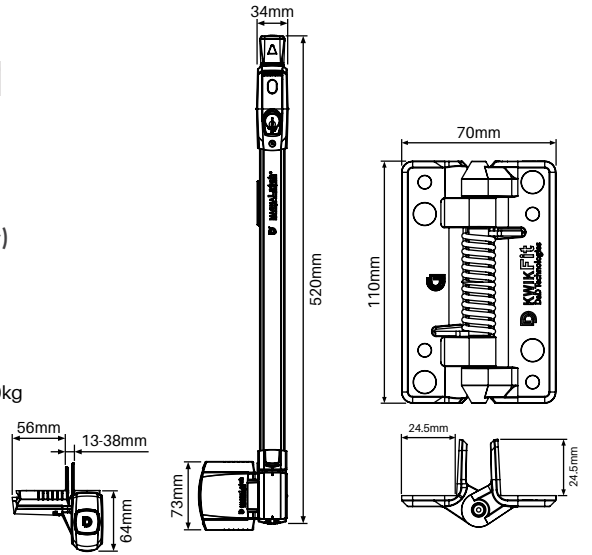
FIXED TENSION

Order Code: **ML-TL-KF-H-FT (Single)**  
**BB-ML-TL-KF-H-FT (Bulk buy)**

D&D code: ML3KFSK

- Kit includes D&D top pull Magna latch and 2x KWIK fit hinges (KF3S model)
- Self closing fixed tension hinges (20mm gap for hinges)
- Pool fencing compliant – Rated for gates up to 20kg
- Magnetically triggered lockable latch

**\*BULK BUY CARTON QTY: 15PCS**



## Magna Latch® with Tru Close® hinge pair

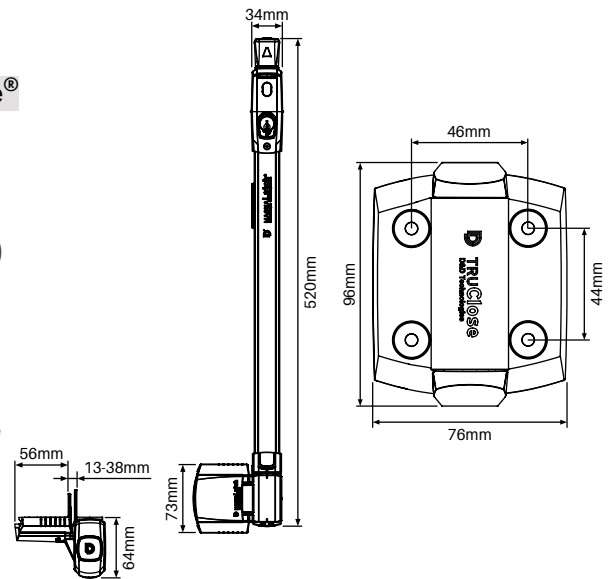
ADJUSTABLE TENSION

Order Code: **ML-TL-TC-H-AT (Single)**  
**BB-ML-TL-TC-H-AT (Bulk buy)**

D&D code: MTSTDKS3LA

- Kit includes D&D top pull Magna latch and 2x TRU close hinges
- Patented tension adjustable hinges (TC-H-AT-B version hinges – no alignment legs on hinges provides for flexible installation)
- Pool fencing compliant – Rated to 30kg self close
- Magnetically triggered lockable latch

**\*BULK BUY CARTON QTY: 15PCS**





# Our range of white

Genuine D&D white hardware.  
Ideal for Hamptons fencing,  
screening & timber plus more.

**D**® **MAGNALatch**®

**Top pull lockable latch**

Order Code: ML-TL-W



**D**® **TRUClose**®

**TruClose® hinge pair**

2 ALIGNMENT LEGS

Order Code: TC-H-AT-2L-W



**D**® **TRUClose**® **HEAVY DUTY**

**TruClose® hinge pair  
Heavy duty**

2 ALIGNMENT LEGS

Order Code: TC-H-AT-HD-2L-W



**D**® **KWIKFit**® **ALUMINIUM**

**Kwik Fit® Aluminium  
hinge pair**

ADJUSTABLE TENSION

Order Code: KF-AH-AT-W



**D**® **LOKKLatch**®

**Lokk Latch®**

KEYED TO DIFFER

Order Code: LLAA-W



**D**® **LOKKLatch**® **DELUXE**

**Lokk Latch® deluxe**

KEYED TO DIFFER

Order Code: LL-DL-W



**D**® **TRUClose**® **HEAVY DUTY**

**D**® **LOKKLatch**® **DELUXE**

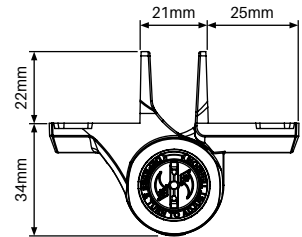
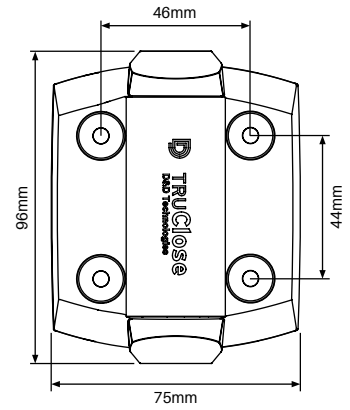
**Lokk latch deluxe &  
TruClose heavy duty  
hinge pair**

HINGE & LATCH KIT

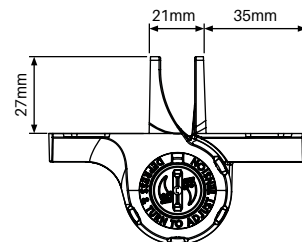
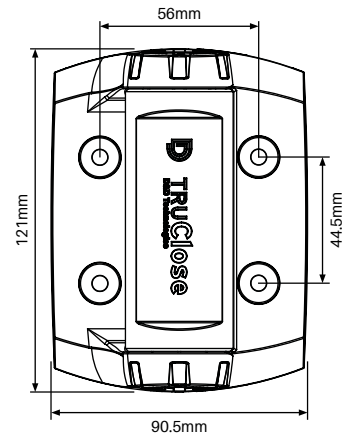
Order Code: LLDL-TCHD-W

**21 mm**  
gap spacing**2**  
alignment legs**Two alignment legs on hinge allows for quick, easy and accurate positioning of gate onto post****D<sup>®</sup> TRUClose<sup>®</sup>****TruClose<sup>®</sup> hinge pair****2 ALIGNMENT LEGS**Order Code: **TC-H-AT-2L-W (Pair)**  
**BB-TC-H-AT-2L-W (Bulk Buy)**

- D&D patented tension adjustment
- Strong, moulded polymer and stainless steel
- Adjust tension from both ends of the hinge
- No visible fixings
- Super strong engineering polymers and stainless steel components
- Won't rust, bind, sag or stain
- Limited lifetime warranty
- White polymer
- Pool fencing compliant - Rated for **gates up to 30kg**

**21 mm**  
gap spacing**2**  
alignment legs**Two alignment legs on hinge allows for quick, easy and accurate positioning of gate onto post****D<sup>®</sup> TRUClose<sup>®</sup> HEAVY DUTY****TruClose<sup>®</sup> hinge pair****Heavy duty****2 ALIGNMENT LEGS**Order Code: **TC-H-AT-HD-2L-W (Pair)**  
**BB-TC-H-AT-HD-2L-W (Bulk Buy)**

- D&D patented tension adjustment
- Strong, moulded polymer and stainless steel
- Adjust tension from both ends of the hinge
- No visible fixings
- Super strong engineering polymers and stainless steel components
- Stylish and contemporary design
- Won't rust, bind, sag or stain!
- Limited lifetime warranty
- White polymer
- Pool fencing compliant - Rated for **gates up to 70kg**

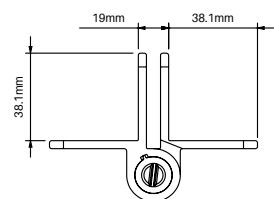
**19 mm**  
gap spacing**Adjustable**  
**tension**POST TO GATE  
INSTALLATION**D<sup>®</sup> KWIKFit<sup>®</sup> ALUMINIUM****Kwik Fit<sup>®</sup> Aluminium hinge pair****ADJUSTABLE TENSION**Order Code: **KF-AH-AT-W (Pair)**  
**BB-KF-AH-AT-W (Bulk Buy)**

- Powder coated white aluminium hinges
- D&D patented tension adjustment - 6 tension settings, adjustable from both ends
- Self closing hinge - closes gates up to 20kg per pair
- Internal stainless steel spring
- Wall or post mounting hinges
- Tested to over 300,000 cycles
- Pool fencing compliant

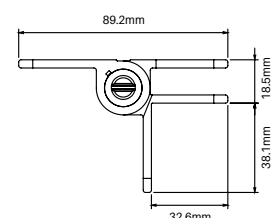
**Fit to posts or walls**

Adjustable fixing plate

## POST TO GATE INSTALLATION



## WALL TO GATE INSTALLATION





15-40mm  
gap spacing

KEYED TO DIFFER



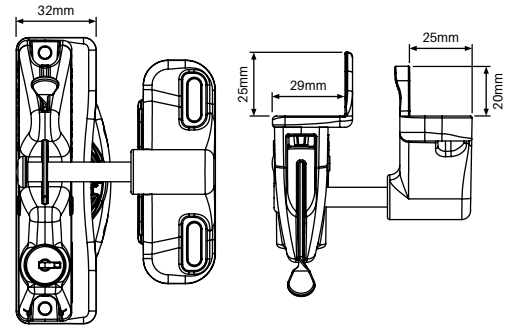
**LOKKLATCH®**

**Lokk Latch®**

Order Code: LLA-A-W

BB-LLAA-W (Bulk Buy)

- Ideal latch for home and garden gates
- Key lockable - no need for padlocks or chains
- Quick and easy to install on all gate materials
- Strong polymer design will not rust or stain
- Minimum post size for fitting - 25mm
- White polymer



Not pool fencing compliant

15-40mm  
gap spacing

KEYED TO DIFFER



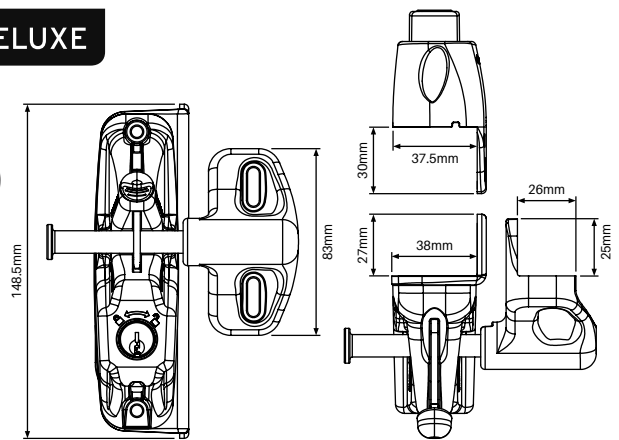
**LOKKLATCH® DELUXE**

**Lokk Latch® deluxe**

Order Code: LL-DL-W

BB-LL-DL-W (Bulk Buy)

- Lockable from both sides of gate
- Locks are keyed to differ
- Rekeyable, 6-pin security lock
- Fits up to 150mm deep posts
- White polymer



Not pool fencing compliant

## GATE LATCH & HINGE KIT

21 mm  
hinge gap spacing

2  
alignment legs

**TRUClose® HEAVY DUTY**

**LOKKLATCH® DELUXE**

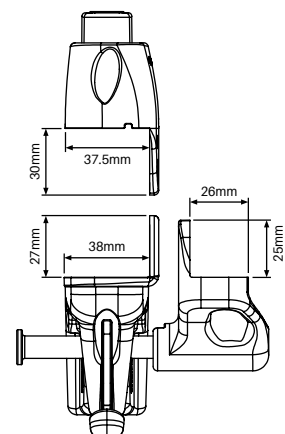
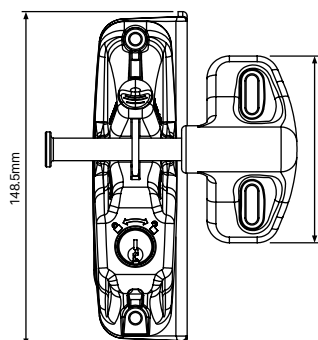
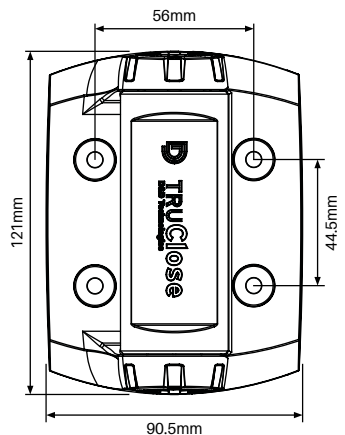
**Lokk latch deluxe & TruClose hinge pair Heavy duty**

HINGE & LATCH KIT

Order Code: LLDL-TCHD-W

BB-LLDL-TCHD-W (Bulk Buy)

- Kit includes D&D Lokk Latch Deluxe and 2x TRU close hinges heavy duty
- Pool fencing compliant - Rated to 70kg self close
- Latch is lockable from both sides of gate
- Ideal for aluminium screening & Hamptons gates
- White polymer



Not pool fencing compliant

15-40mm  
latch gap spacing

+  
keyed to differ





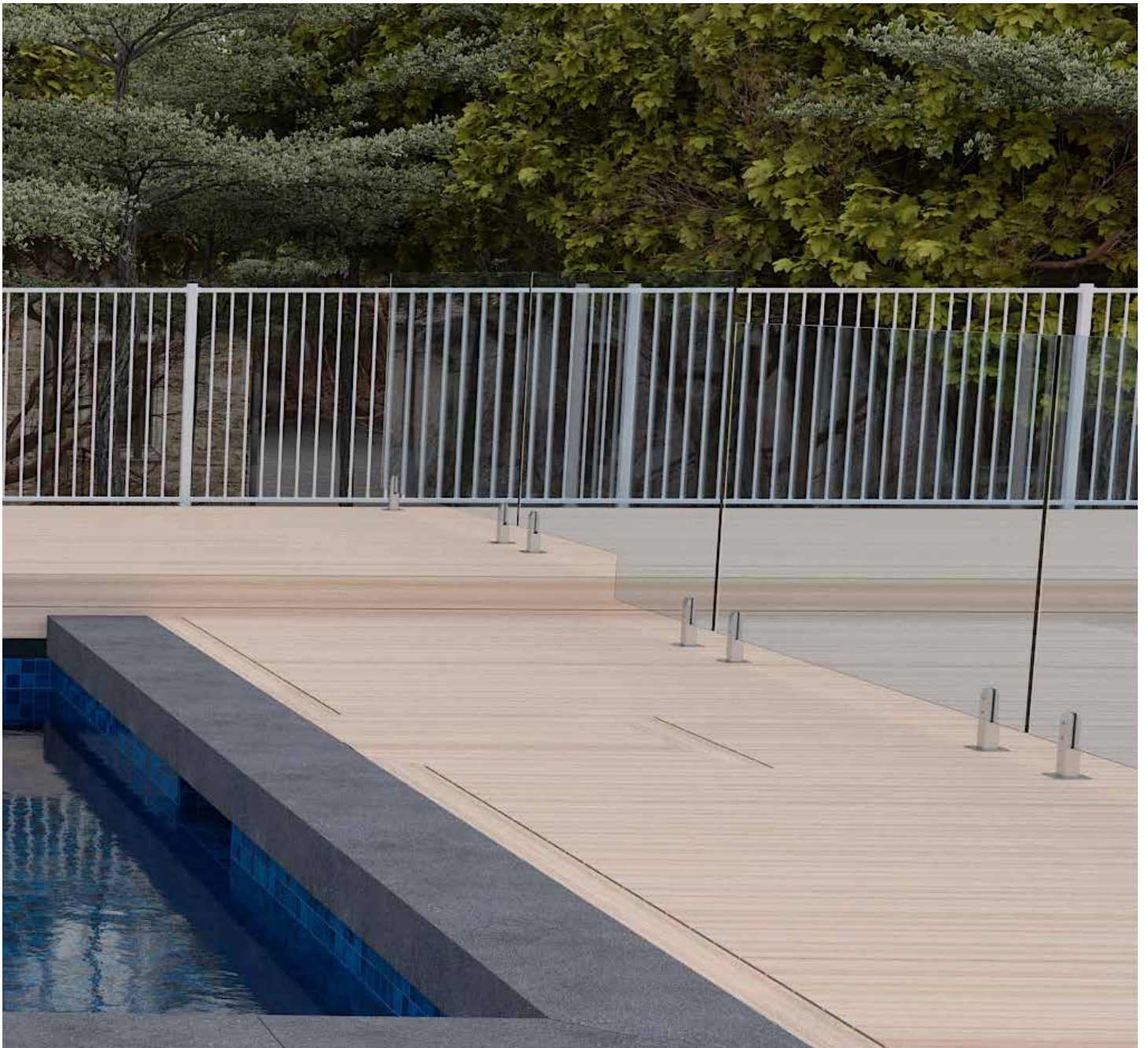
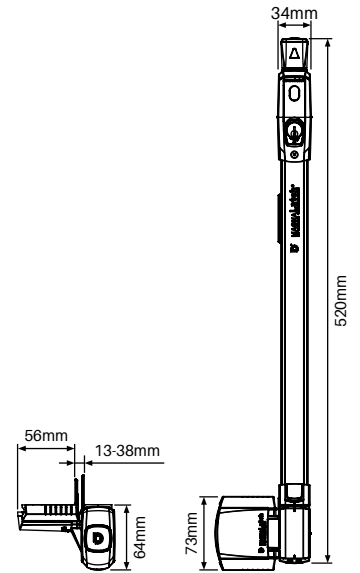
13-38mm  
gap spacing

**D** MAGNALatch®

## Top pull lockable latch

Order Code: **ML-TL-W**  
**BB-ML-TL-W** (Bulk Buy)

- Magnetically triggered lockable latch
- Improved stylish "Series 3" design
- Adjusts horizontally and vertically
- Includes adjustable striker plate
- D&D Limited lifetime warranty
- Quick and easy installation
- Tested to over 400,000 cycles





# alumawall

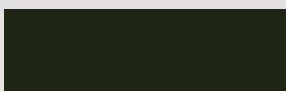
## Stackable sleeper

**An extruded aluminium stackable sleeper designed to be used under steel panel fences or as a retaining wall sleeper.**

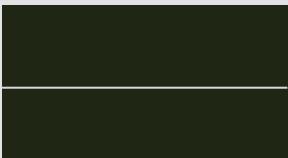
- › Sturdy aluminium design with high quality powder coat finish
- › Fits neatly into 'C' section posts of common steel panel fencing brands
- › Perfect for preventing weeds or debris from protruding through gaps in fence
- › Can also be used to level or increase the base height of the fence
- › 2385mm long x 150mm high x 50mm wide – check your 'C' section posts to ensure correct fitting
- › Easy width adjustment – simply cut to desired width
- › Specially designed heavy duty post available for retaining wall installations
- › Sleeper comes with two free black nylon end caps

### Easily stackable!

1 SLEEPER  
150mm high



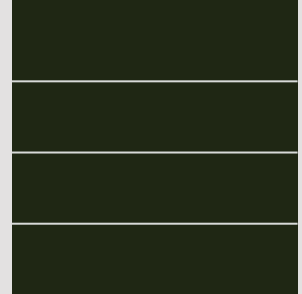
2 SLEEPERS  
280mm high



3 SLEEPERS  
410mm high



4 SLEEPERS  
540mm high



Primrose **AWALL-2385-P** Paperbark **AWALL-2385-PB** Woodland Grey **AWALL-2385-G** Monument **AWALL-2385-MN**



- Primrose  
GD037A
- Paperbark  
GU114A
- Woodland grey  
GL205A
- Monument  
GL229A

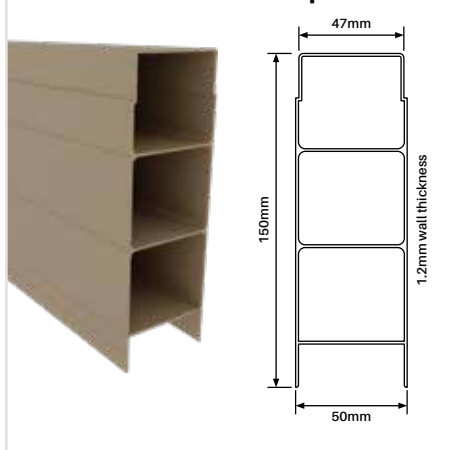




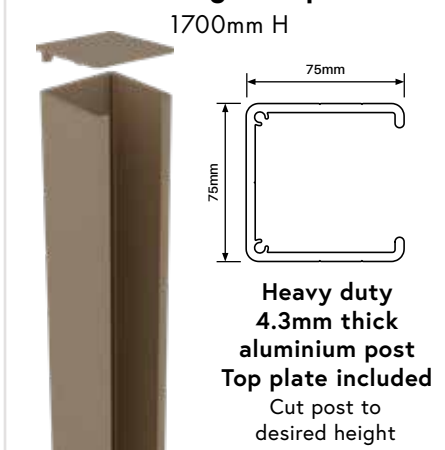
alumawall

- Retaining wall system -

Stackable sleeper



Retaining wall post





Top plate

OPTIONAL EXTRA. POSTS COME WITH TOP PLATE



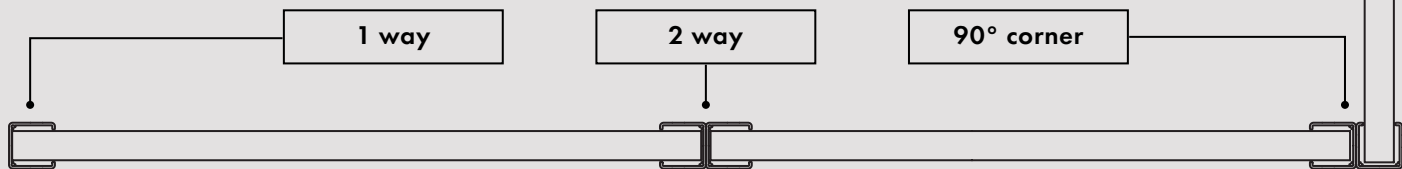
- Only required if cutting down posts to shorter lengths & extra top plates are required
- Available in Woodland Grey, Monument, Primrose & Paperbark

Order code: AWALL-TP-G/MN/P/PB

POST CODES:	
 Primrose GD037A	<b>AWALL-1700-1W-P</b>
 Paperbark GU114A	<b>AWALL-1700-1W-PB</b>
 Woodland grey GL205A	<b>AWALL-1700-1W-G</b>
 Monument GL229A	<b>AWALL-1700-1W-MN</b>

\*Post includes top plate

Easily adaptable for 1 way, 2 way and 90° corner configurations



To join posts for 2 way or corner configurations, simply screw together using 15mm x 10G self tapping screws

Available in woodland grey, monument, primrose & paperbark



**IMPORTANT!**  
Engineering must be considered.  
Contact us for relevant documents



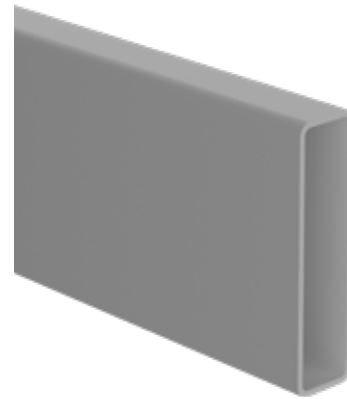
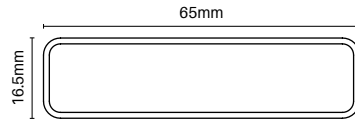
# SLAT OPTIONS

## 65mm x 16.5mm slat

2400MM LONG

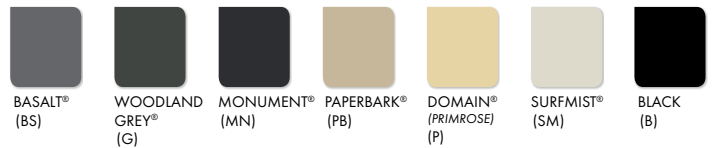
Pack of 3

Order Code: **LT-2400-S65-3PK-B**  
**LT-2400-S65-3PK-G**  
**LT-2400-S65-3PK-MN**  
**LT-2400-S65-3PK-PB**  
**LT-2400-S65-3PK-P**  
**LT-2400-S65-3PK-SM**



- Convenient 3 pack of slat to suit screen topper side frames
- Durable powder coated aluminium
- Slats are 2400mm wide: slats may need width adjustment to suit openings. Easily cut to size with dropsaw and aluminium cutting blade

### COLORBOND® steel colours –



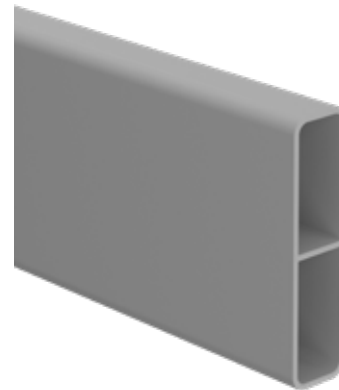
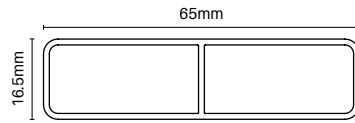
### Other –



## 65mm x 16.5mm slat with centre web

6100MM LONG SLATS

Order Code: **XP-6100-S65-B**  
**XP-6100-S65-M**  
**XP-6100-S65-BS**  
**XP-6100-S65-G**  
**XP-6100-S65-MN**  
**XP-6100-S65-PB**  
**XP-6100-S65-P**  
**XP-6100-S65-SM**



- Durable powder coated aluminium
- Cut 6100mm lengths to required size to suit fence opening sizes
- Slats suit screen topper side frames

**CENTRE WEB ADDS STRENGTH & RIGIDITY TO SLAT**

### COLORBOND® steel colours –



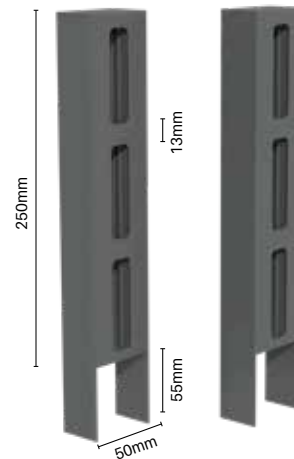
### Other finishes –

## Screen topper

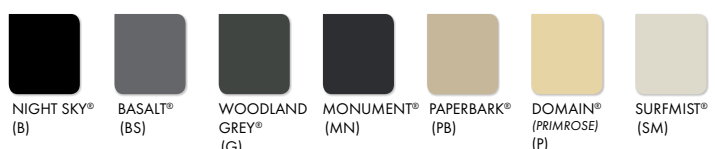
SIDE FRAMES (Pair of 2)

Order Code: **LT2-SF-0250-B**  
**LT2-SF-0250-BS**  
**LT2-SF-0250-G**  
**LT2-SF-0250-MN**  
**LT2-SF-0250-PB**  
**LT2-SF-0250-P**  
**LT2-SF-0250-SM**

- 250mm extension for COLORBOND® steel fencing
- 13mm gap between slats
- Suits EXISTING or NEW fence installations
- Sturdy powder coated aluminium side frames (pair of 2)
- Simply push in 65x16.5mm slats x 3 (slats sold separately)
- Patented friction fit – no welding or screwing of slats needed
- Slats are held firmly in position



### COLORBOND® steel colours –

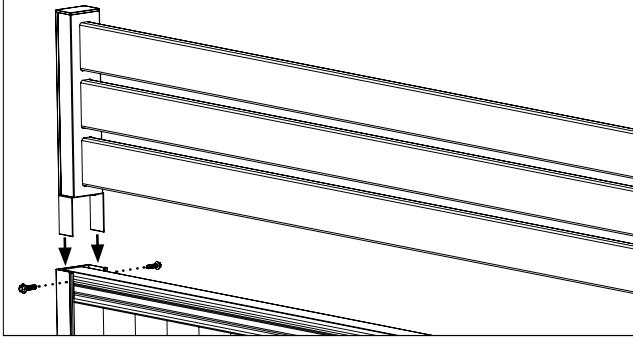




# SCREEN TOPPER INSTALLATION

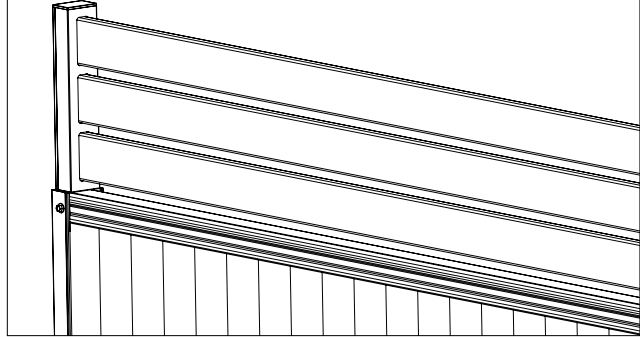
## Option 1

TOPPER ABOVE C SECTION POSTS AND RAIL



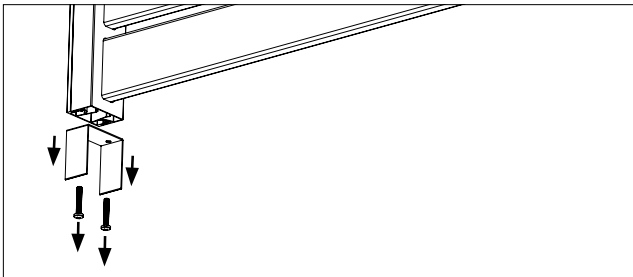
1

Install Topper by inserting the U-bracket located on the bottom of the topper between the top rail and C section post and secure post off both sides with tek screws.



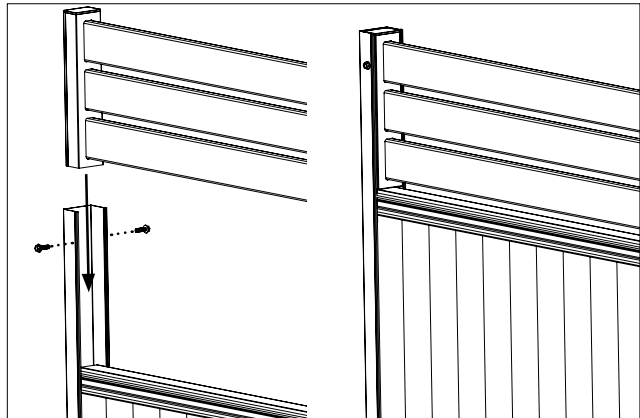
## Option 2

TOPPER FITTED INSIDE C SECTION POSTS



1

Remove the U-bracket located on the bottom of the Topper by unscrewing the 2 screws.



2

Insert the Topper into the C section posts securing into position both sides with tek screw.





# ZEUS

## SECURITY FENCING

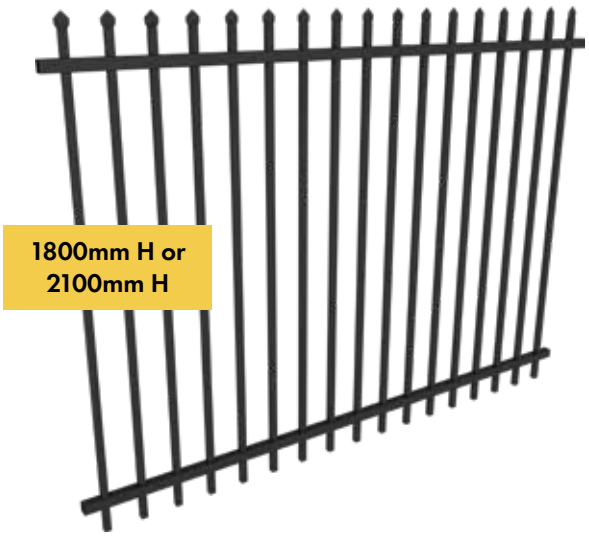
### A full range of press top powder coated security fencing

Zeus Security Fencing is our heavy duty powder coated fencing range which is perfect for commercial security fencing, residential boundary fencing or school security fencing. Available in galvanised steel or aluminium.





# ZEUS STEEL PANELS & GATES



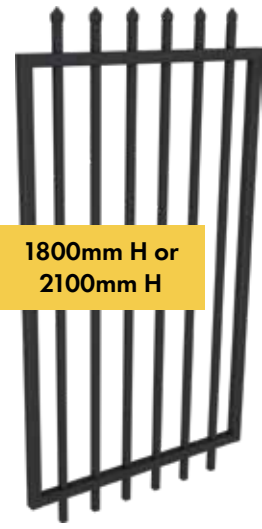
1800mm H or  
2100mm H

### Zeus steel panel

1800MM OR 2100MM H x 2400MM W

Order Code: ZF-SP-2400-1800/2100

- Black powder coated galvanised steel
- Pressed spear top
- 6 weld points – Superior silicone bronze welds
- Pickets: 25mm x 25mm – 1.2mm wall thickness
- Rails: 40mm x 40mm – 1.8mm wall thickness
- Spacings: 140mm centre to centre of picket



1800mm H or  
2100mm H

### Zeus steel gate

1800MM OR 2100MM H x 975MM W

Order Code: ZF-PG-0975-1800/2100

- Black powder coated galvanised steel
- Pressed spear top
- 6 weld points – Superior silicone bronze welds
- Pickets: 25mm x 25mm – 1.2mm wall thickness
- Rails (Top/bottom & vertical stiles): 40mm x 40mm – 1.8mm wall thickness
- Mitred top corners
- Spacings: 140mm centre to centre of picket

**Powder coat colours —**  
Genuine AKZO Nobel powder coat

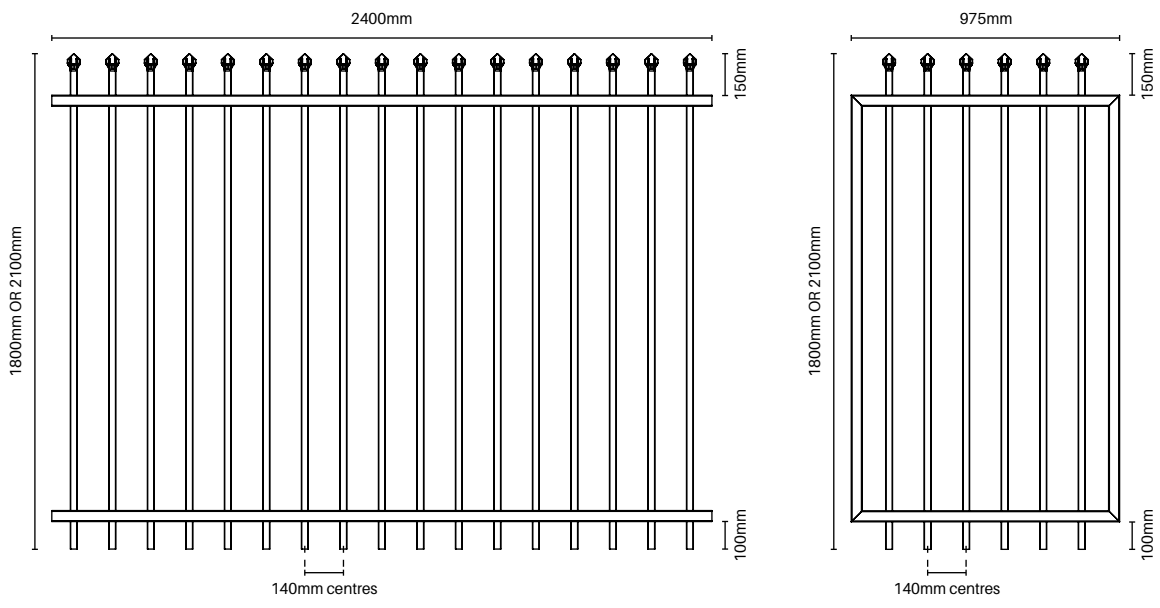


**40x40mm punched rails allow pickets to pass through to provide a neat finish**



**Not pool fencing compliant**

## TECHNICAL INFO





# ZEUS STEEL GATES & POSTS



1800mm H or  
2100mm H

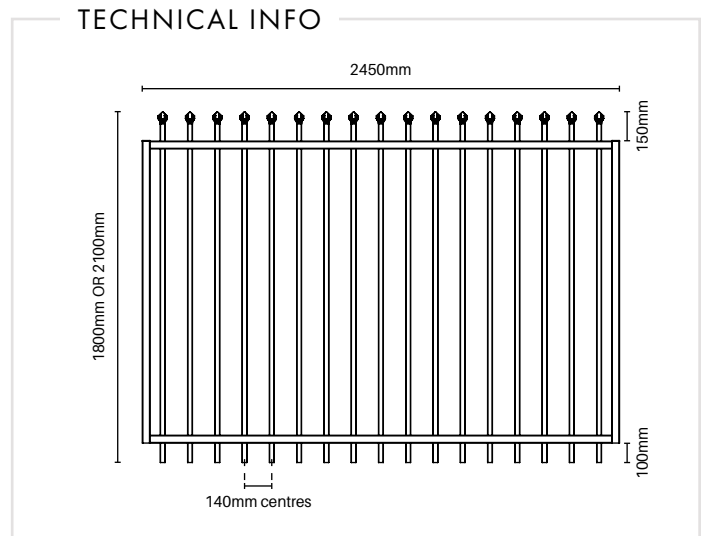
## Zeus steel 2450mm gate

1800MM OR 2100MM H X 2450MM W

Order Code: ZF-G-2450-1800/2100

- Black powder coated galvanised steel
- Pressed spear top
- 6 point welds - Superior silicone bronze welds
- Pickets: 25mm x 25mm - 1.2mm wall thickness
- Rails (Top/bottom & vertical stiles): 40mm x 40mm - 1.8mm wall thickness
- Spacings: 140mm centre to centre of picket

**Powder coat colours —**  
Genuine Interpon powder coat



## Gudgeon hinge pair BLACK FINISH

Order Code: ZF-GH-B

- Black powder coated finish
- Adjustable bolt
- Install by inserting into 40x40mm top/bottom gate side stiles

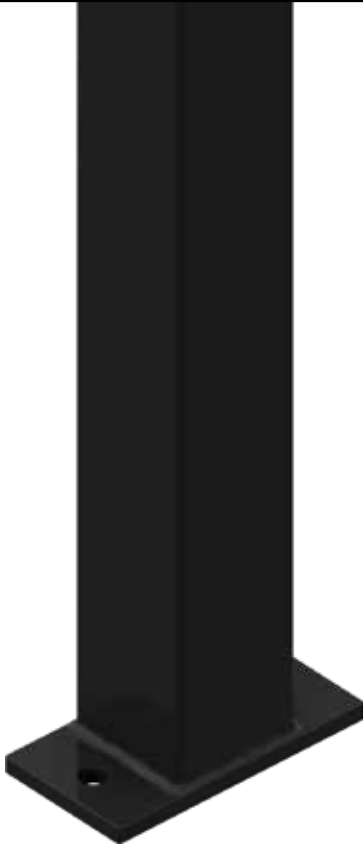
Alternative: use standard side fixed hinges

**Not pool fencing compliant**





# ZEUS STEEL PICKETS



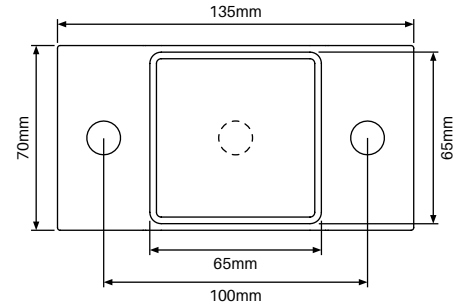
## 65x65mm steel post

2400MM OR 2700MM H

**Black finish**

Order Code: ZF-2400/2700-B

- Black powder coated galvanised steel
- 65mm x 65mm
- Available in 2400mm and 2700mm high
- 2.5mm wall thickness
- Includes welded on 8mm thick base plate with 2x Ø13mm fixing holes - use for base plated post fixing or bury into concrete for a superior anchor point
- FREE top cap included



**Top cap**  
**BLACK NYLON FINISH**  
Order Code: ZF-65TC

- Suits 65x65mm post
- Only purchase if extra top caps are required - posts come with 1x free top cap installed

**75x75mm & 100x100mm steel posts also available. Refer page 95**



## Zeus steel pickets – 4 pack

2100MM LONG

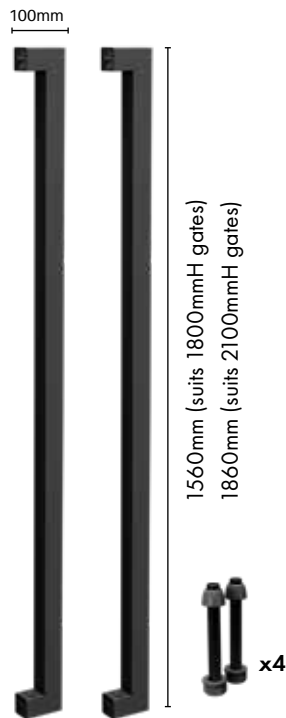
Order Code: ZF-PICKET-4PK

- 4 pack of pickets: 25x25mm - 1.2mm wall thickness
- 2100mm long galvanised steel pickets with pressed top
- Not powder coated so can be welded
- 100 grams/sqm galvanised
- Use galvanised pickets to weld/fabricate sliding gates, pedestrian gates or custom panels. Pressed top pickets match pre-made panels and gates
- Suits 2100mm or 1800mm high panels - simply cut picket to required height



# ZEUS STEEL GATE CONVERTERS

**HUGE SAVINGS  
VERSUS TRADITIONAL  
FABRICATION OF  
SECURITY GATE**



## Zeus steel gate converters

Black powder coated galvanised steel

Order Code: ZF-1800-GC-2PK (for 1800mm H steel panels)

ZF-2100-GC-2PK (for 2100mm H steel panels)

- Easily convert standard Zeus panels into a hinged gate
- Suits 1800mm and 2100mm high panels with 40x40mm horizontal rails (excludes DETE specification panels)
- Simply adjust panel width, place converters on both sides and fix off with bolts provided
- Made from 50x50mm heavy duty galvanised steel box section - panel rails sleeve into converters
- Design innovations:
  - Polymer insert in separates panel from converter to avoid metal on metal rubbing
  - Added security feature - shear nuts. Once bolted tightened nut. Nut head snaps off leaving a difficult to untighten cone shaped head only
- Sold as a pair (for left & right side of gate); black only
- Includes 8x bolts with shear nuts & spring washers (bolts & nut black)

**Also available in Aluminium\***

1800mm H: ZAF-1800-GC-2PK

2100mm H: ZAF-2100-GC-2PK

*\*Brisbane, Gold Coast & Newcastle depots only*

## SIMPLE HOW TO

- ① Adjust panel width, drill bolt holes in panel & place converters on both ends.



\*Allow minimum 40mm gap from edge of picket when adjusting width

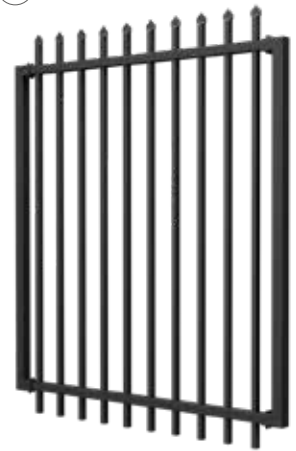
- ② Fix off with black bolts, nuts & washers provided.



- ③ Nut head snaps off leaving a difficult to untighten head only.



- ④ Complete gate panel.

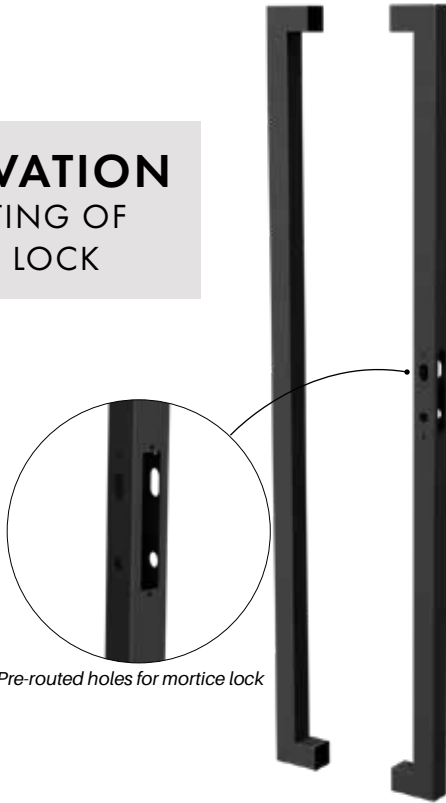




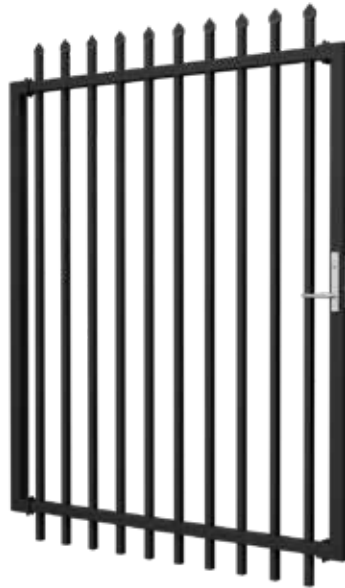
# ZEUS STEEL GATE CONVERTERS

FOR MORTICE LOCK

## INNOVATION EASY FITTING OF MORTICE LOCK



Pre-routed holes for mortice lock



### Zeus steel gate converters – routed for mortice lock

Black powder coated galvanised steel

Order Code: ZF-1800-GC-LEVER-2PK (for 1800mm H)

ZF-2100-GC-LEVER-2PK (for 2100mm H)

- Same specifications as standard gate converters except
- 1 x stile has pre-routed holes to suit slimline mortice lock
- 1 x gate stile not routed - use for hinge side
- The routed stile achieves lever height of 950mm from bottom of gate
- Install as required for left or right opening
- Fast, easy and cost effective solution for a lever handle gate
- Mortice lock and accessories sold separately

### Mortice Lock Kit

Order Code: XT-MORT-LOCK

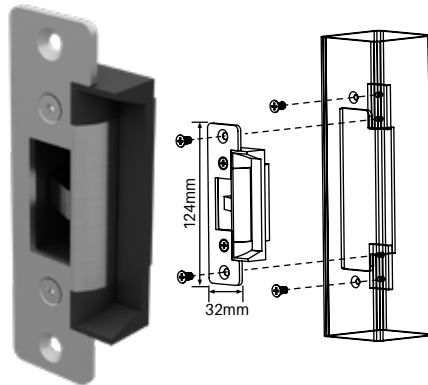
- Slimline mortice lock kit includes 2 x lever handles, face plate, lock mechanism, striker and 2 keys
- Handles made from durable solid brass nickel plated
- Lock suits 50x50mm vertical gate stile (ie matches Zeus gate converter routed hole)
- Keyed both sides and lock / unlock both sides
- 6 pin restricted compatible lock
- Allow up to 8mm gap between edge of gate stile and latch post



### Electric Striker

Order Code: XT-MORT-ES

- Optional electric striker kit
- Power required to lock/unlock
- Voltage/current: dual voltage 12VDC/200mA 24VDC/100mA
- Stainless steel face plate
- Post must be routed for electric striker mounting - template included in kit



\*Routing template included in box

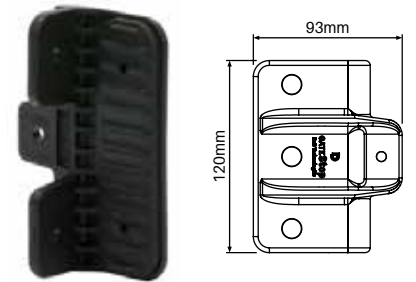
### D&D Gate stop

Black polymer finish

Order Code: SS-GS

D&D code: TCGS3

- Ideal gate alignment device
- Tough, durable polymer + rubber bumper
- Simple gate stop solution
- Alternatively, a vertical black aluminium extrusion may be used as a gate stop - ensure routed around striker to not interfere. (Not supplied by GO)





# ZEUS ALUMINIUM PANELS & GATES



1800mm H or  
2100mm H



Aluminium Zeus range is stocked at our Brisbane, Gold Coast, Newcastle & Perth depots only



Aluminium Zeus is recommended for high corrosive environments such as coastal areas



1800mm H or  
2100mm H

## Zeus aluminium panel

1800MM OR 2100MM H x 2400MM W

Order Code: ZAF-SP-2400-1800/2100

- Black powder coated aluminium
- Pressed spear top
- 6 point welds
- Pickets: 25mm x 25mm - 1.6mm wall thickness
- Rails: 40mm x 40mm - 2mm wall thickness
- Spacings: 140mm centre to centre of picket

## Zeus aluminium gate

1800MM OR 2100MM H x 975MM W

Order Code: ZAF-PG-0975-1800/2100

- Black powder coated aluminium
- Pressed spear top
- 6 point welds
- Pickets: 25mm x 25mm - 1.6mm wall thickness
- Rails (Top/bottom & vertical stiles): 40mm x 40mm - 2mm wall thickness
- Mitred top corners
- Spacings: 140mm centre to centre of picket

Powder coat colours —  
Genuine Interpon powder coat



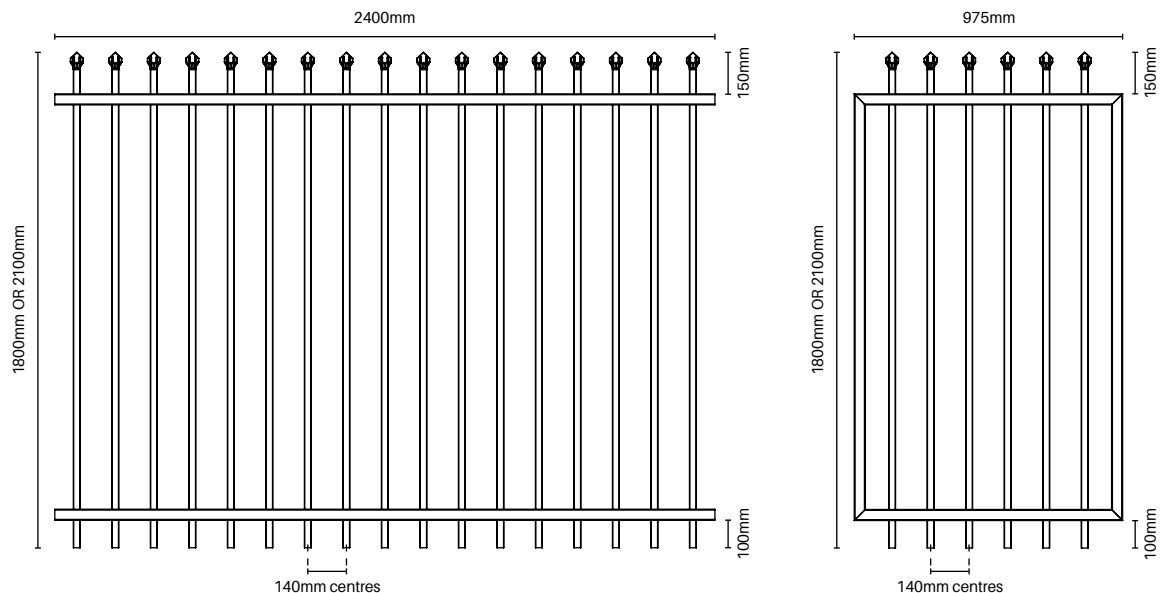
40x40mm punched rails allow pickets to pass through to provide a neat finish

Pressed spear top pickets



Not pool fencing compliant

## TECHNICAL INFO







# ZEUS ALUMINIUM PICKETS & POSTS



## Zeus aluminium pickets – 4 pack

2100MM LONG – MILL FINISH

Order Code: ZAF-PICKET-4PK

- 4 pack of pickets: 25x25mm – 1.6mm wall thickness
- 2100mm long aluminum pickets with pressed top
- Alloy 6063 T5 – Mill finish
- Use aluminium pickets to weld/fabricate sliding gates, pedestrian gates or custom panels. Pressed top pickets match pre-made panels and gates
- Suits 2100mm or 1800mm high panels – simply cut picket to required height



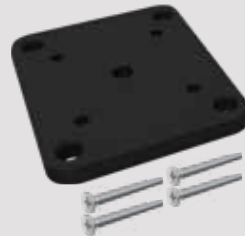
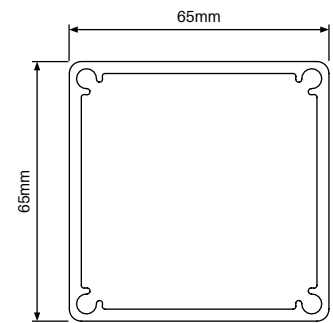
## 65x65mm aluminium post

2400MM OR 6000MM H

Black finish

Order Code: XP-2400/6000-65HD-B

- Powder coated black aluminium
- 65x65mm larger profile, heavy duty post
- Alloy 6063 – T6
- 3mm wall thickness
- Screw flutes to screw on base plate if required
- 2400mm post comes with free press-in top cap



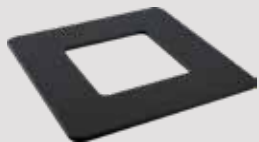
## 65x65mm post base plate set

POWDER COATED ALUMINIUM

Black

Order Code: XP-65BP-SET-B

See page 55 for full specifications



## Aluminium dress ring

POWDER COATED BLACK ALUMINIUM

Order Code: XP-65DR-B

- Suits 65x65mm post
- 115mm x 115mm outer  
67mm x 67mm inner



## Aluminium top cap

POWDER COATED BLACK ALUMINIUM

Order Code: XP-65TP-B

- Suits 65x65mm post
- Optional extra cap only – 2400mm post comes with cap supplied. For 6000mm post, cap must be purchased separately



## Zeus aluminium gate converters

Black powder coated aluminium

Order Code: ZAF-1800-GC-2PK (for 1800mm H aluminium panels)

ZAF-2100-GC-2PK (for 2100mm H aluminium panels)

- Easily convert standard Zeus panels into a hinged gate
- Suits 1800mm and 2100mm high panels with 40x40mm horizontal rails
- Simply adjust panel width, place converters on both sides and fix off with bolts provided
- Refer page 88 for assembly guide

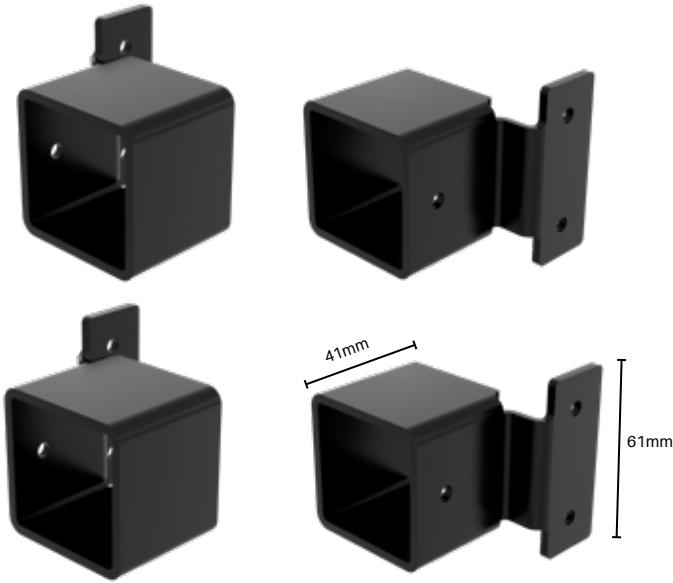


SIMPLY FIT GATE CONVERTERS BOTH SIDES OF PANEL



# ZEUS ACCESSORIES

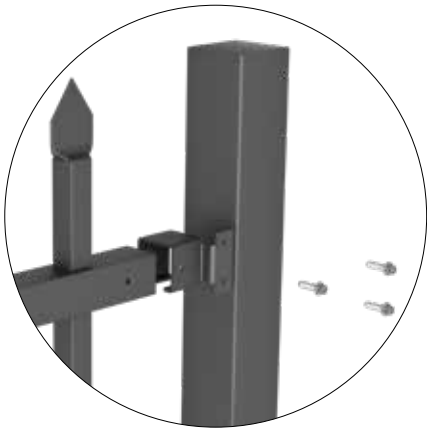
## BRACKET OPTION 1



### Zeus panel security brackets

Order Code: ZF-BSEC-4PK

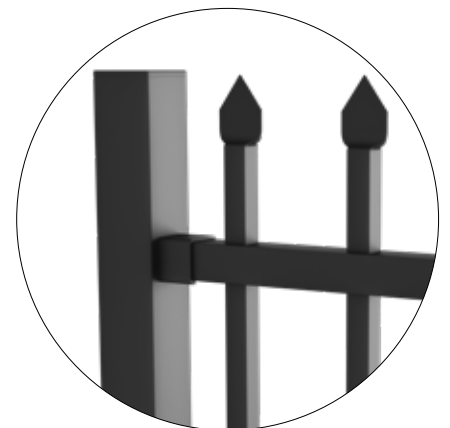
- Suits 40 x 40mm rail
- 4 pack
- Hot dip galvanised steel powder coated black
- Includes 14 x tek screws
- No visible fixing from outside of property - visually appealing & better security
- Easy & flexible install - panel rail can move internal of bracket for optimal positioning prior to fixing off



Affix the bracket with tek screws onto the Zeus post



Fixings on inside of fence



No visible fixings from the outside

## BRACKET OPTION 2



4 x fixing points to post

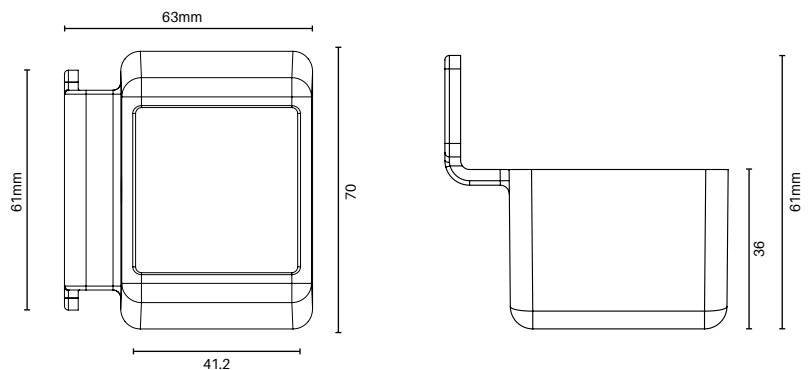
### Zeus security brackets – DETE spec

PACK OF 4

Black finish

Order Code: ZF-BSEC-DELUXE-4PK

- Suits 40x40mm rails
- Made from galvanised steel powder coated black
- Designed for 75x75mm posts but also can be installed with 65x65 & 100x100mm posts
- 4 x fixing holes to post
- Fixings are on inside of fence
- Sold as a 4 pack (fixing screws sold separately)





# ZEUS ACCESSORIES

## BRACKET OPTION 3



### Zeus panel brackets

Order Code: ZF-BH4

- 40mm x 40mm aluminium panel brackets
- Pack of 4 brackets
- 10x tek screws included in pack
- Satin black finish



### Zeus 400mm drop bolt

Order Code: ZF-DB400-B

- 400mm long
- Black finish



### Drop bolt

Black or zinc plated finish

Order Code: SS-0300DB-B/ZP

- Ideal for driveway gates
- Cost effective drop bolt
- Easy to install
- 300mm long

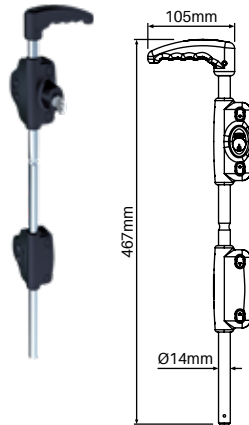
### D&D Premium lockable drop bolt

Black finish

Order Code: LB-PL

D&D code: LL118BX-LA

- 316 marine-grade stainless steel drop-rod
- Tough polymer-housing mounting system
- 6-pin lock (rekeyable to match doors & gate locks)



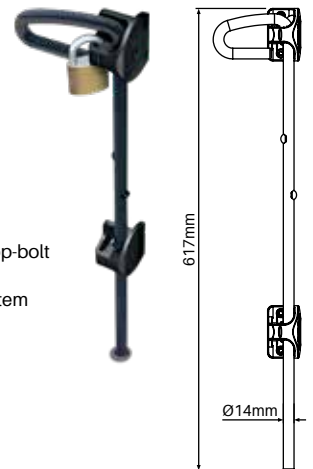
### D&D Padlockable drop bolt

Black finish

Order Code: QB124

D&D code: QB124

- Powder coated black, stainless steel drop-bolt
- Padlockable (\*Padlock not included)
- Tough, moulded polymer mounting system



### Anti tamper screws

25 PACK

Order Code: ZF-SECURESCREW-25PK

- 12G x25mm long button head anti-tamper screw.
- 10mm diameter button head
- Black powder coated
- Respected "Pentaforce" brand
- Requires special drive bit for fixing: refer code ZF-PENTAFORCE-BIT
- Optional extra anti tamper screws can be used for affixing panel brackets to posts



### Drivebit for anti tamper screws

Order Code: ZF-PENTAFORCE-BIT

- Required for fitting of Pentaforce anti-tamper screws
- Sold as single drive bit





# ZEUS DETE SECURITY FENCING

(QLD ONLY)



## Zeus DETE steel panel

2100MM H x 2400MM W

Order Code: ZF-SP-2400-2100-DETE

- Complies with Specifications for Security Fencing in State Schools (Department of Education QLD)\*\*
- Pickets: 25x25x1.6mm punched through rails with silicon bronze welds to rails
- Rails: 40x40x2mm with picket centres of 125mm
- Grade of steel: C250 chemical composition
- Coating: whip blasted followed by epoxy primer and polyester powder coat black
- Spacings: 125mm centre to centre of picket

### Powder coat colours —

Genuine AKZO Nobel powder coat



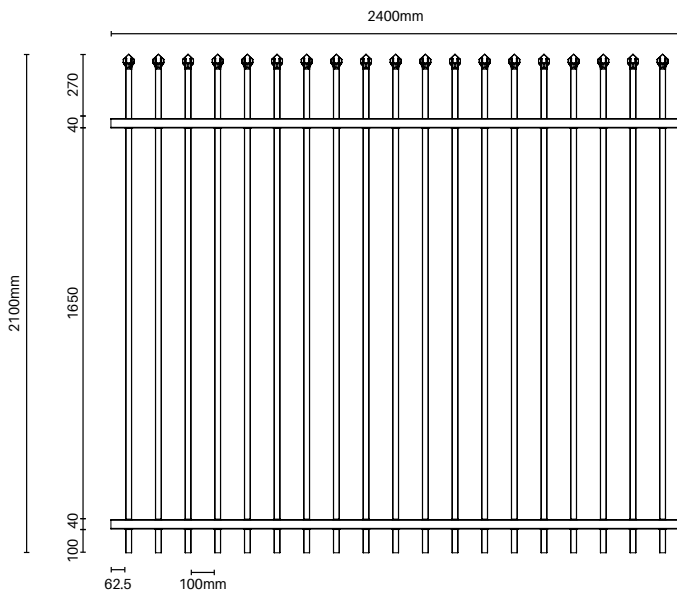
\*\* Specification current as of October 2020

\*\* DETE Spec panels stocked at GO Brisbane (Virginia) depot only

Pressed  
spear top  
pickets



## TECHNICAL INFO



Whip blasted  
+ epoxy primer  
+ powder coated



## Zeus security brackets – DETE spec

PACK OF 4

Black finish

Order Code: ZF-BSEC-DELUXE-4PK

- Suits 40x40mm rails
- Made from galvanised steel powder coated black
- Designed for 75x75mm posts but also can be installed with 65x65 & 100x100mm posts
- 4 x fixing holes to post
- Fixings are on inside of fence
- Sold as a 4 pack (fixing screws sold separately)





# ZEUS DETE SECURITY FENCING

(QLD ONLY)



## 75x75mm steel post

3000MM H

**Black finish**

Order Code: **ZF-3000-7575-B-DETE**

- 75x75mm post 3000mm high for DETE specification
- 3mm wall thickness
- Grade of steel: C350 chemical composition
- Coating: whip blast followed by epoxy primer and polyester powder coat black
- Features welded top flat cap
- Includes 80x145mm welded on bottom of post for superior anchoring

75 x75mm post



## 100x100mm steel post

3000MM H

**Black finish**

Order Code: **ZF-3000-SQ100-B-DETE**

- 100x100mm post 3000mm high for DETE specification
- 4mm wall thickness
- Commonly used for gate posts & corner posts
- Grade of steel: C350 chemical composition
- Coating: whip blast followed by epoxy primer and polyester powder coat black
- Features welded top flat cap
- Includes 105x170mm welded on bottom of post for superior anchoring

100 x100mm post



25 PACK

## Anti tamper screws

25 PACK

Order Code: **ZF-SECURESCREW-25PK**

- 12G x25mm long button head anti-tamper screw.
- 10mm diameter button head
- Black powder coated
- Respected "Pentaforce" brand
- Requires special drive bit for fixing: refer code ZF-PENTAFORCE-BIT
- Optional extra anti tamper screws can be used for affixing panel brackets to posts



## Drivebit for anti tamper screws

Order Code: **ZF-PENTAFORCE-BIT**

- Required for fitting of Pentaforce anti-tamper screws
- Sold as single drive bit



# ZEUS ACCESSORIES

**12-35mm**  
gap spacing



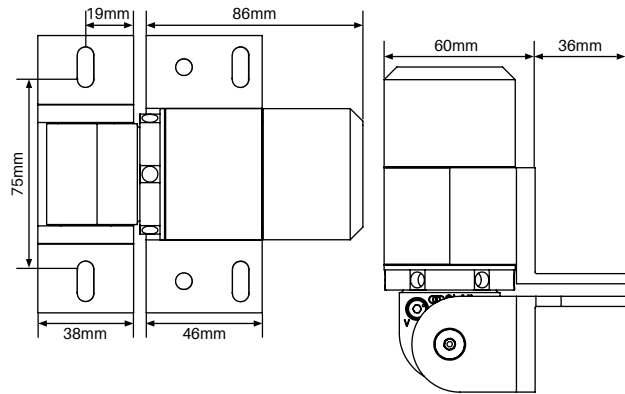
FIXING SCREWS SUPPLIED  
MIN POST SIZE: 50MM

## Sureclose – Readyfit hinge

HYDRAULIC HINGE CLOSER  
2 ALIGNMENT LEGS

Order Code: **SURECLOSE-HH**  
D&D Order Code: **74108313**

- Ideal for commercial/industrial applications
- Easy install - screw on externally mounted
- Self close gates up to 120kg
- Heavy duty, 50 micron black anodised aluminium
- Sold as SINGLE hinge
- **SELF CLOSING FROM 83 degrees**
- **HOLDS OPEN AT 90 deg to 180 deg**
- **MAX GATE OPENING 178 deg**



**TRADE TIP:** Commonly a hydraulic closer hinge is installed on the bottom of the gate (SURECLOSE-HH) with the non self closing hinge at top of gate (SURECLOSE-NSC). For very heavy gates, 2 x closer hinges may be considered.

**12-35mm**  
gap spacing



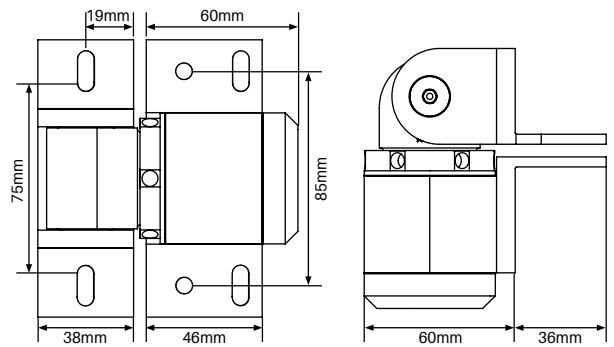
FIXING SCREWS SUPPLIED  
MIN POST SIZE: 50MM

## Sureclose – Readyfit hinge

NON SELF CLOSING CLOSER  
2 ALIGNMENT LEGS

Order Code: **SURECLOSE-NSC**  
D&D Order Code: **74001313**

- Ideal for commercial/industrial applications
- Easy install - screw on externally mounted
- NON SELF CLOSING hinge
- Heavy duty, 50 micron black anodised aluminium
- Sold as SINGLE hinge
- **LOAD BEARING** non self closing hinge
- **MAX GATE OPENING 178 deg**





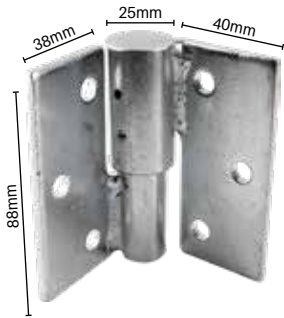
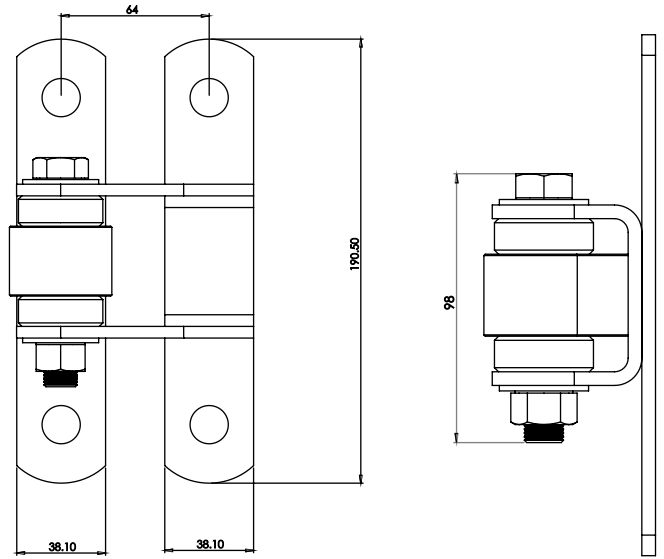
# ZEUS ACCESSORIES



## Shut It™ heavy duty hinge

Order Code: ZF-CI3720B

- Heavy duty surface mount bolt on hinge
- Commonly used for school fencing gates
- Genuine D&D Technologies product
- Non self-closing; opens 180 degrees
- Steel zinc plated powder coated black
- Unique brushing design produces near frictionless movement with maintenance free usage
- Achieve gate gap as small as 14mm
- Features slotted holes allowing up to 13mm horizontal adjustment
- Sold as a single hinge (2x hinges required per gate)
- Rated to 250kg max per hinge



## Zeus hinges

Order Code: ZF-BBH-L/R (Left/Right)

- Bolt on ball bearing hinge pair
- Left and right hinges available
- Galvanised steel construction
- Sturdy, long lasting hinges

Consider also our range of D&D heavy duty spring hinges





# ZEUS SECURITY

## SLIDING GATE COMPLETE SYSTEM

FLAT PLATE: FIT ABOVE TOP RAIL.  
PREVENT GATE FROM LIFTING OFF

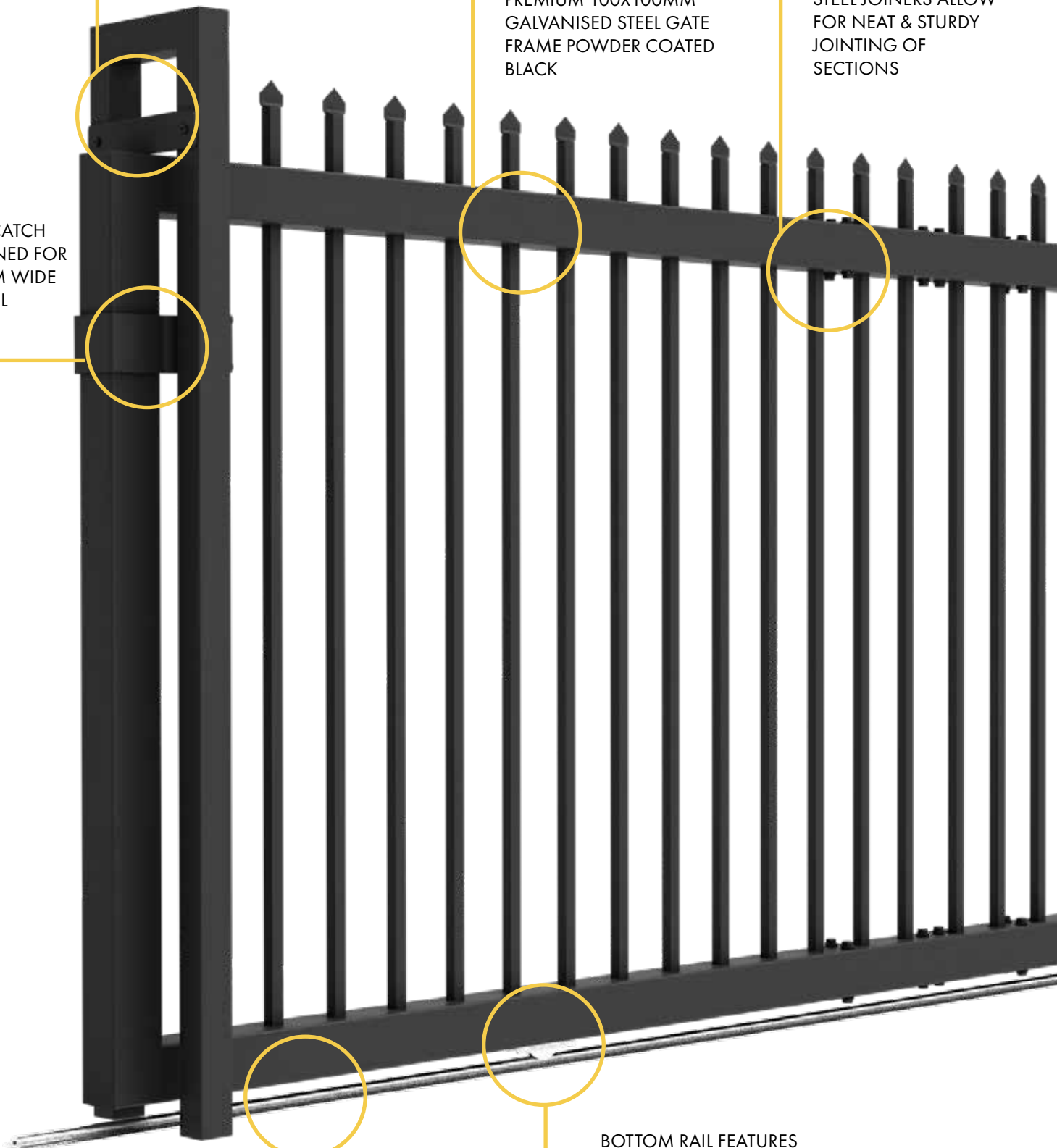
PREMIUM 100X100MM  
GALVANISED STEEL GATE  
FRAME POWDER COATED  
BLACK

INTERNAL 5MM THICK  
STEEL JOINERS ALLOW  
FOR NEAT & STURDY  
JOINTING OF  
SECTIONS

GATE CATCH  
DESIGNED FOR  
200MM WIDE  
TUNNEL

GALVANISED STEEL TRACK  
- AVAILABLE 3M OR 6M LONG

BOTTOM RAIL FEATURES  
SLOTS FOR EASY FITTING  
OF RECESSED GATE WHEELS







HUGE SAVINGS ON SECURITY SLIDING GATES

MODULAR SYSTEM — ADD PANELS TO EXTEND WIDTH MODULES

BUILD ONSITE OR IN WORKSHOP

INNOVATIVE EASY + FAST ASSEMBLY — PATENT PENDING

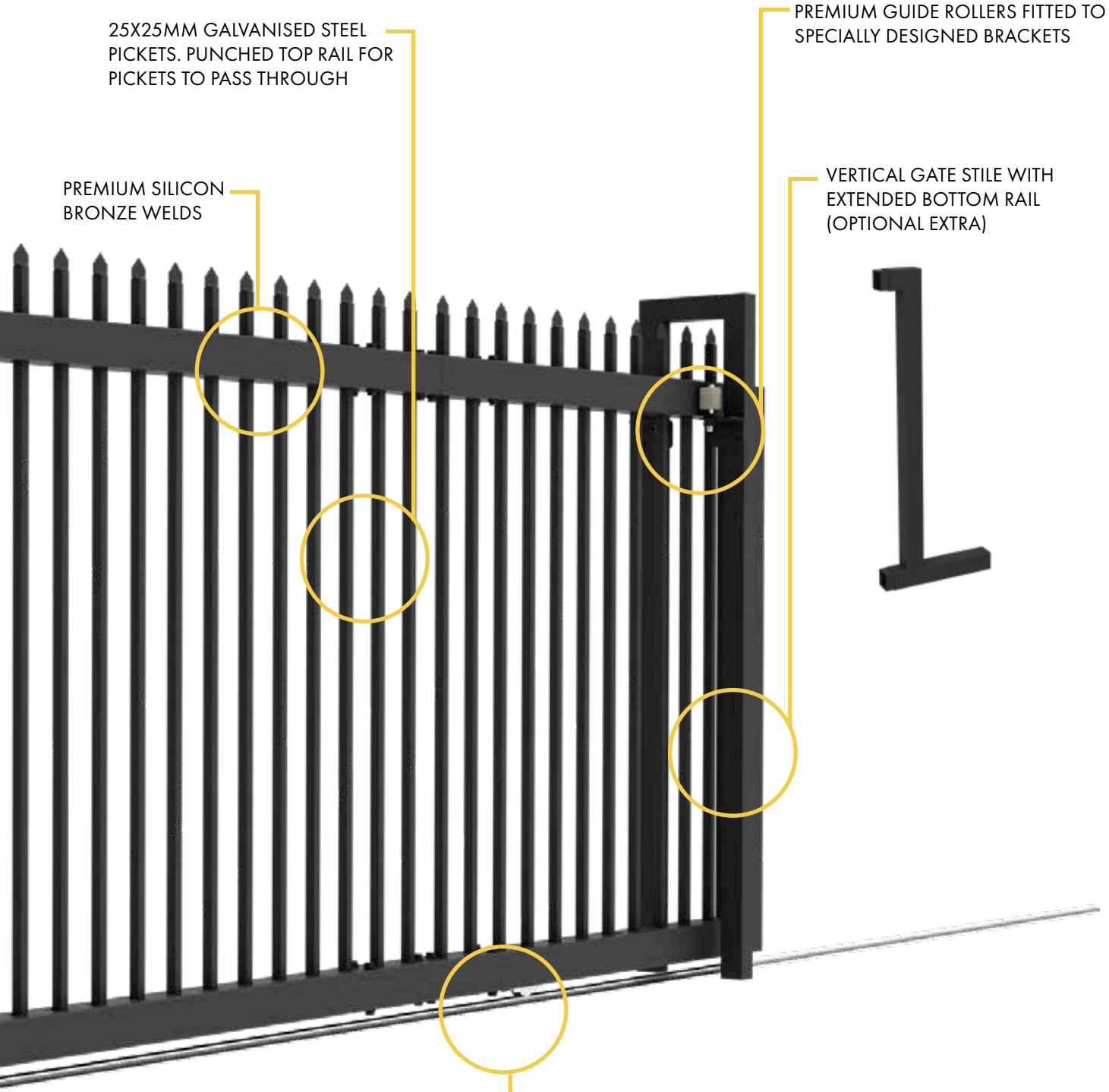
25X25MM GALVANISED STEEL PICKETS. PUNCHED TOP RAIL FOR PICKETS TO PASS THROUGH

PREMIUM SILICON BRONZE WELDS

PREMIUM GUIDE ROLLERS FITTED TO SPECIALLY DESIGNED BRACKETS

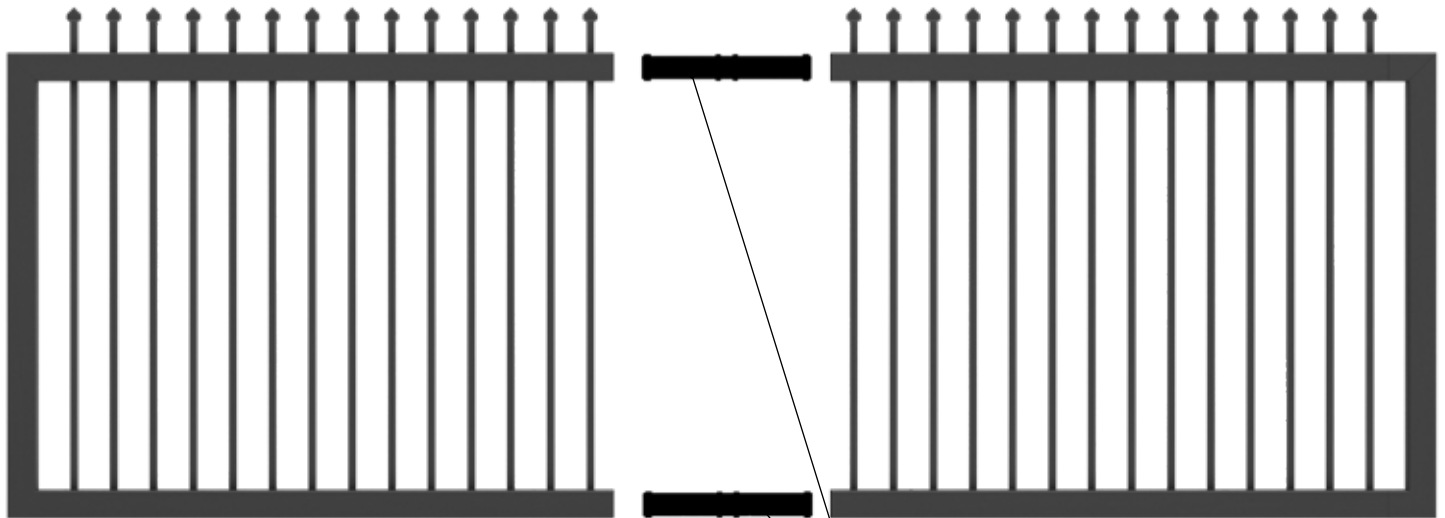
VERTICAL GATE STILE WITH EXTENDED BOTTOM RAIL (OPTIONAL EXTRA)

PACKER AVAILABLE FOR GATE HEIGHT ADJUSTMENT





# ZEUS STEEL SLIDING GATE KIT



Designed to compliment 1800mm or 2100mm high installed Zeus fence panels

## Zeus steel sliding gate kit

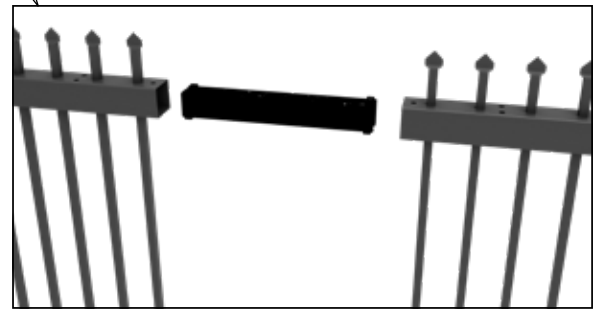
1790MM or 2090MM H x 4260mm W

Order Code: **ZF-SG-4260-1790** (Approx 159kg nett)  
**ZF-SG-4260-2090** (Approx 172kg nett)

### Kit includes:

- 1 x left side at 2130mm wide
- 1 x right side at 2130mm wide
- 2 x 595mm long heavy duty internal joiners - hot dip galvanised
- 2 x Plastic bottomrail caps - UV stabilised black
- Hardware joiner fixing kit: 25x M12x25mm bolts;  
25x T3mm flat washers & 25x spring washers
- Drill jig (only required if width adjusting)

### PATENTED ASSEMBLY METHOD



**Powder coat colours —**  
Genuine Interpon powder coat

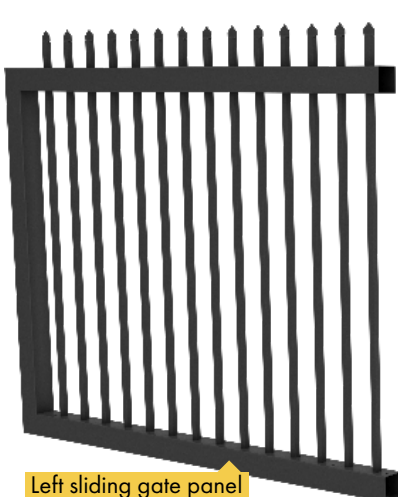
**BLACK**  
GN150A

100x100mm punched rails  
allow pickets to pass through  
to provide a neat finish

Pressed  
spear top  
pickets



## Kit inclusions:



Left sliding gate panel



Right sliding gate panel

Internal joiner x 2



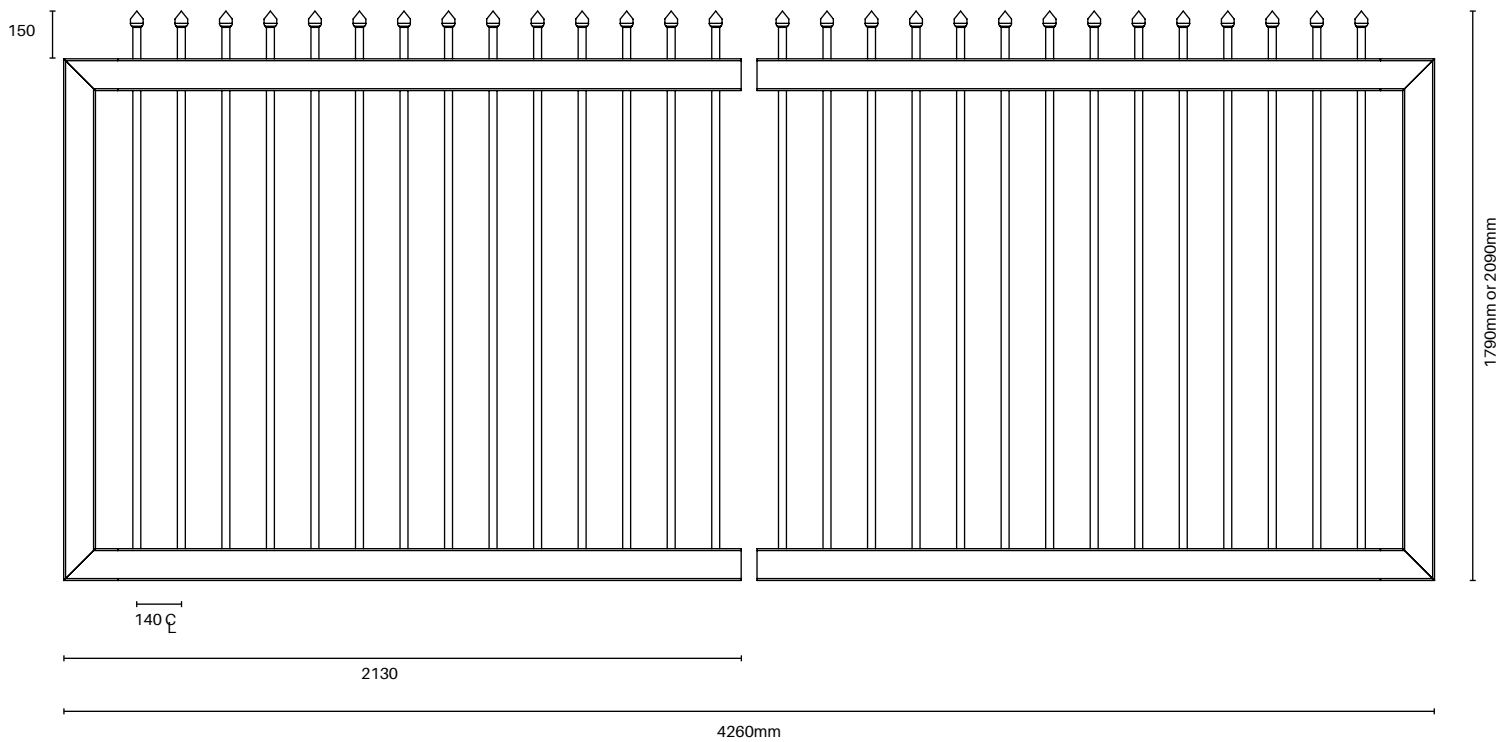
M12x 25mm bolt x 25

Spring washer x 25

T3mm flat washer x 25



# ZEUS STEEL SLIDING GATE – TECH INFO



## FEATURES

- Genuine trade quality heavy duty sliding gate
- Gate frame made from premium 100x100mm SHS 3mm thick steel
- Pickets 25 x 25 x 1.2m press top – passes through punched top rail
- All welds silicon bronze
- Kit form – left and right sides make up to 4260mm wide gate
- Add middle modular sections to make gates up to 8500mm wide
- Easily width adjustable – 1 x gate end removeable. Simply remove pre-assembled vertical side stile by unbolting, cut width to size and re-install. The removeable vertical side end should always be positioned on motor side
- Middle extension panels – holes pre-drilled for easy assembly with internal slotted joiners
- Internal joiners made from heavy duty 5mm thick steel & hot dip galvanised powder coated black. 12 x bolts per joiner ensures high strength
- Fast and easy assembly onsite or in factory

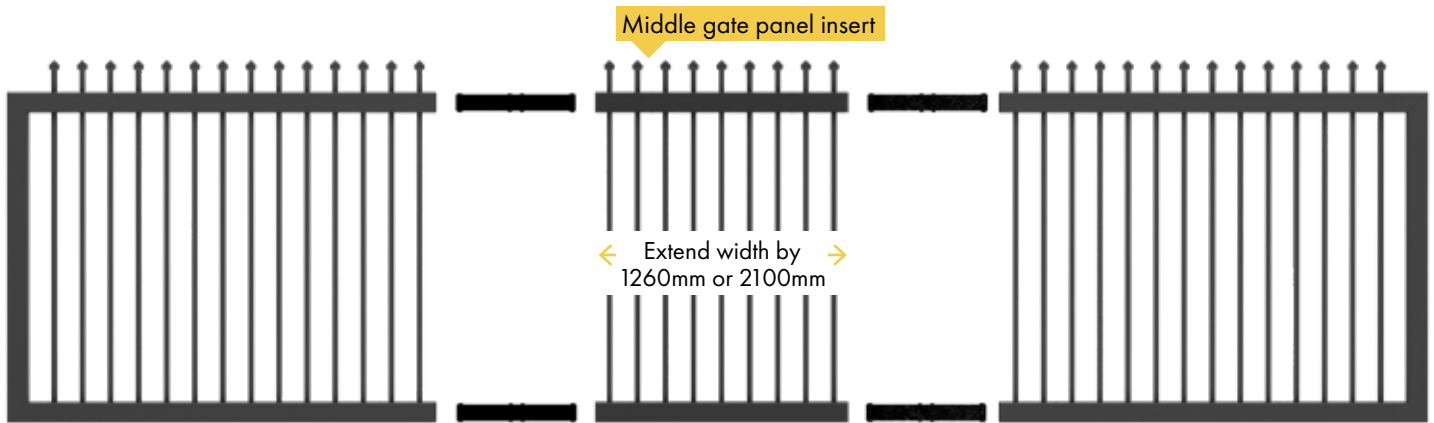
## + SIMPLE TRANSPORT SOLUTION

- Complete gate kit prepacked into steel pallet for forklift loading/unloading
- Ideal for storage & transporting
- Cost effective to send Australia wide
- No need for specialised transport to handle/move





# ZEUS STEEL SLIDING MIDDLE GATE



Designed to compliment 1800mm or 2100mm high installed Zeus fence panels

## Zeus steel middle sliding gate panel

1790MM or 2090MM H x 1260mm W or 2100mm W

Order Code: **ZF-SG-M-1260-1790** (1260mm W x 1790mm H) (Approx 36kg nett)

**ZF-SG-M-2100-1790** (2100mm W x 1790mm H) (Approx 38kg nett)

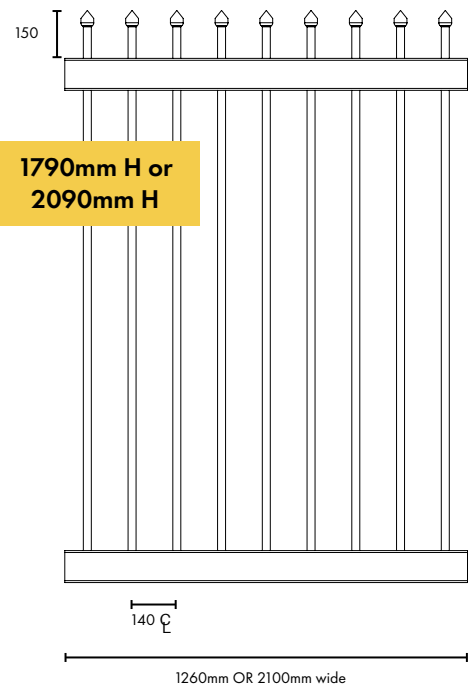
**ZF-SG-M-1260-2090** (1260mm W x 2090mm H) (Approx 58kg nett)

**ZF-SG-M-2100-2090** (2100mm W x 2090mm H) (Approx 63kg nett)

- Extend the sliding gate. Select module as required and extend gate width by a further 1260mm or 2100mm
- Extend gate width by adding up to 2 extra middle gate panels
- Middle panels have pre-drilled holes top & bottom rail for bolting together with internal joiners
- Black powder coated galvanised steel
- For each extra module added, a joiner kit is required (sold separately)

### TRADE TIP

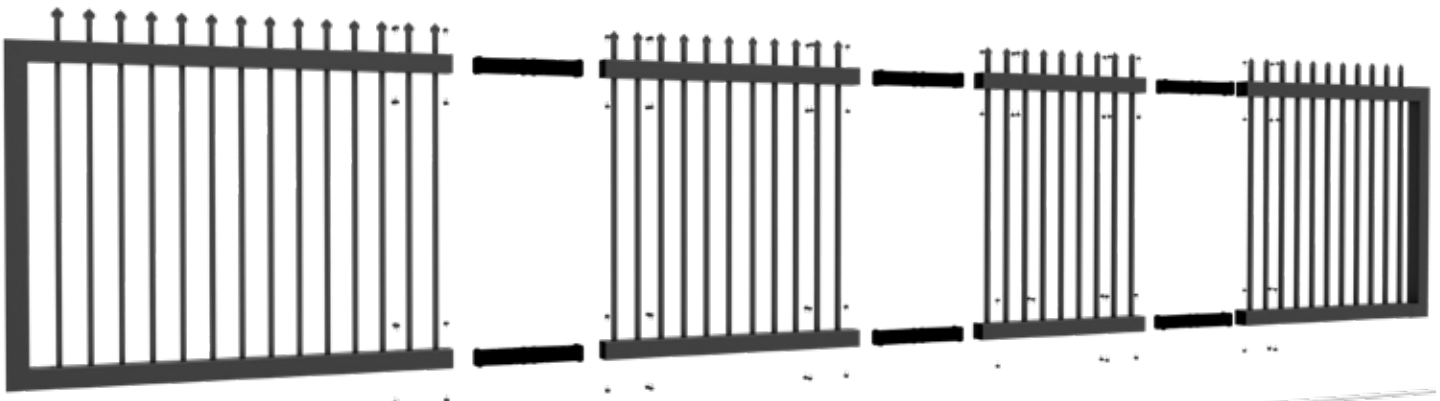
If width adjustment of gate required, do not cut at middle panel joins. Always width adjust by cutting at the gate end with the removeable vertical stile



**Powder coat colours —**  
Genuine Interpon powder coat



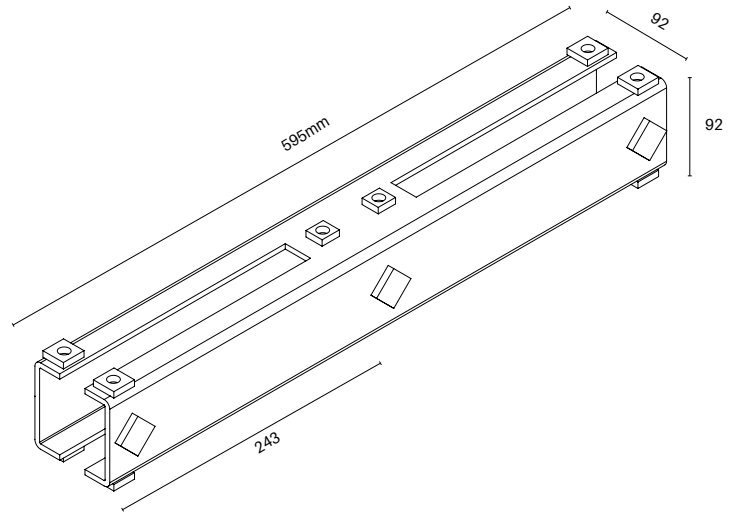
## ADD UP TO 2 MIDDLE GATE PANELS TO EXTEND GATE WIDTH







# ZEUS STEEL SLIDING GATE – HARDWARE



## Joiner Kit

2 PACK

Order Code: **ZF-SG-J-2PK**

- 2 x 595mm long heavy duty internal joiners
- Use if extending gate width by adding middle gate panel.  
Each middle gate panel requires 1 x joiner kit
- 5mm thick heavy duty hot dip galvanised steel powder coated black
- Slotted top & bottom so pickets can pass through
- Each joiner has 12x threaded holes for accepting bolts
- Kit includes 2 x joiners; 25 x M12x25mm bolts powder coated black; 25 x T3mm flat washers & 25 x spring washers

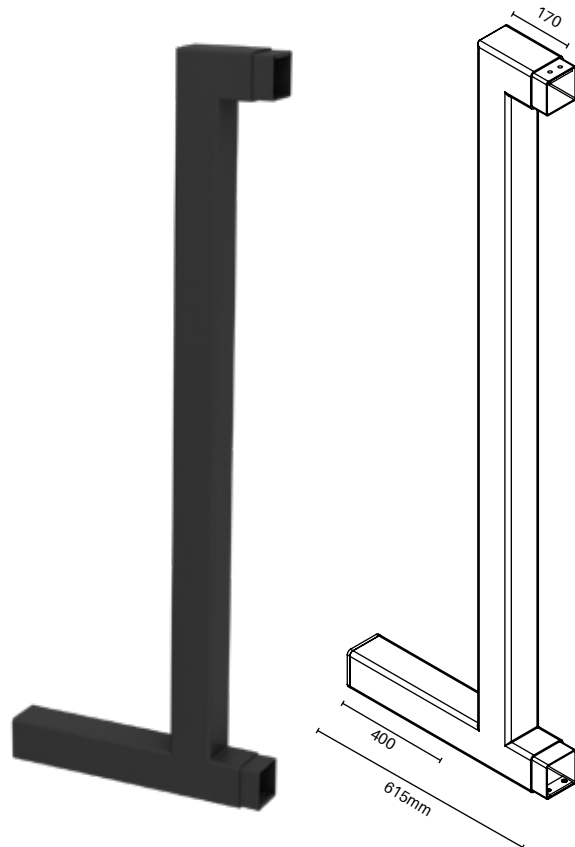
## Vertical gate stile with extended bottom rail

1640MM OR 1940MM H

Order Code: **ZF-SG-VGS-1790** (1640 H suits 1790 H gate)

**ZF-SG-VGS-2090** (1940 H suits 2090 H gate)

- To install, remove pre-installed vertical stile on gate end and re-install with extended leg option
- Suggested to use if finished sliding gate width needs extra width for gate motor installation. Instead of adding another middle gate panel, gate width may be extended at end by 400mm with extended leg
- Features threaded holes that line up with gate holes for quick & easy bolting together
- Black powder coated galvanised steel



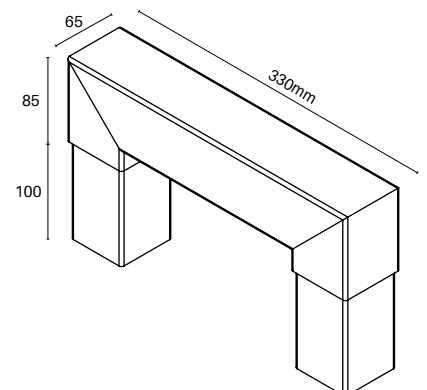
## Tunnel post joiner

330MM

Black finish

Order Code: **ZF-SG-TUNNEL**

- Sleeves into 2 x 65mm x 65mm steel posts to create a 200mm inner wide tunnel
- Posts sold separately
- Suggested to use tunnel post at both ends of sliding gate and affix with anti tamper screws
- Black powder coated galvanised steel





# ZEUS STEEL SLIDING GATE – HARDWARE

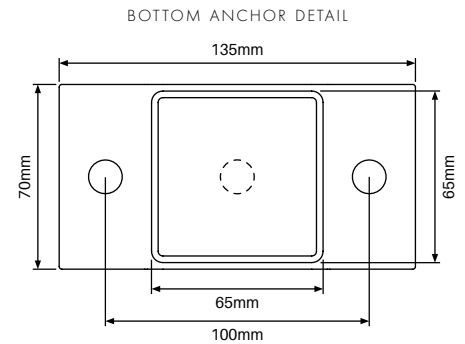
## 65x65mm steel post

2400MM OR 2700MM H

**Black finish**

Order Code: **ZF-2400/2700-B**

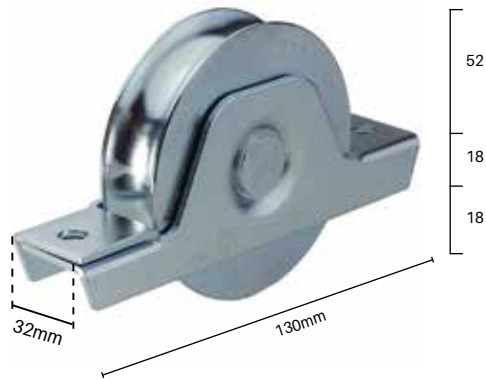
- 65mm x 65mm galvanised steel post powder coated black
- Available in 2400mm and 2700mm high
- 2.5mm wall thickness
- Includes welded on 8mm thick bottom plate with 2x Ø13mm holes – ideal for strong anchoring of core drilled posts
- FREE top cap included
- For sliding gates, due to weight of gates, we recommend core drilling posts
- To create tunnel post: install 2x 65mm posts next to each other allowing for a 200mm daylight opening, remove top caps & insert tunnel post joiner and affix with anti tamper screws



## Sliding gate wheel

Order Code: **ZF-SG-GATEWHEEL**

- 90mm diameter with 20mm diameter groove
- Recessed fitting into gate bottom frame. Gate frame pre-slotted for wheel replacement
- Zinc plated steel
- Features double bearings: 300kg rating per wheel
- Made in Italy
- Sold as a single wheel



## Screw for gate wheel

4 PACK

Order Code: **ZF-SG-TAPTITE-4PK**

- M8x30mm Taptite screw: 4 pack
- Use to affix gate wheel to bottom rail. Each wheel requires 2x Taptite screws
- Hex flange head
- Special trilobular thread forming screw. Superior resistance to vibrational loosening
- Pilot hole drill 7.3mm into gate bottom frame hole. Taptite screw will create thread while driving in

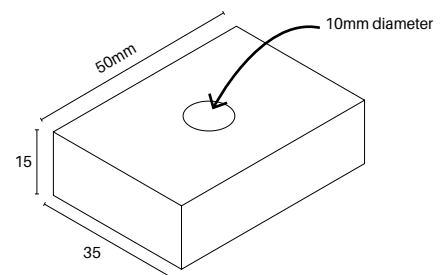
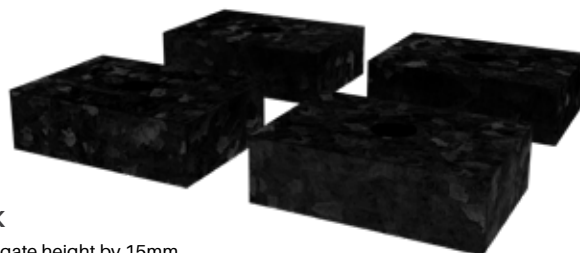


## 15mm Packer

4 PACK

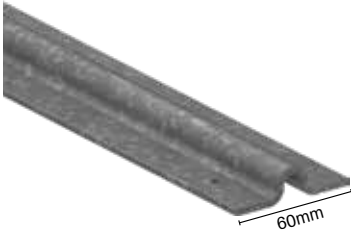
Order Code: **ZF-SG-PACKER-4PK**

- Allows height increase of Zeus sliding gate height by 15mm
- Position packer in between gate wheel and bottom rail
- Suits sliding gate wheel
- Hot dip galvanised steel powder coated black





# ZEUS STEEL SLIDING GATE – HARDWARE



## Steel sliding gate track

3000MM LONG OR 6000MM LONG

Order Codes:

**XPSG-3000-TRACK-ST (3000mm)**

**XPSG-6000-TRACK-ST (6000mm)**

- Available 3000mm or 6000mm long
- Made from 3mm galvanised steel for durability
- Bolt down sliding gate track with a  $\varnothing 20\text{mm}$  running surface
- Easy to install with predrilled fixing holes (22 holes for 3000mm track and 42 holes for 6000mm track)



## Sliding gate track pins

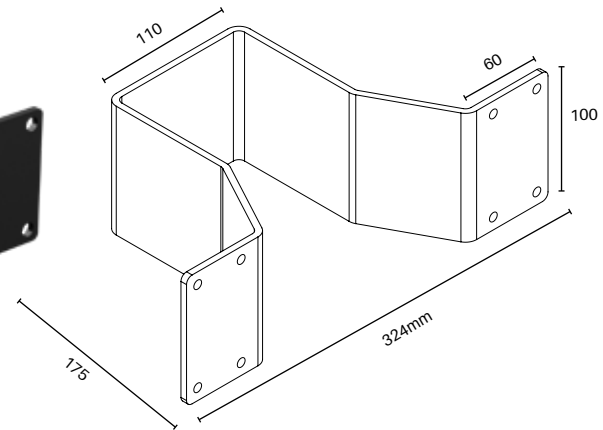
Order Code: **XPSG-ANCHOR**

- Mushroom head galvanised steel track anchor pins
- 6.5mm x 38mm
- Pre-expanded expansion anchor. Once hammered in, unique kinked shaft provides a spring action for vibration proof anchoring. Use 6.5mm masonry bit into concrete

## Gate catch

Order Code: **ZF-SG-TPCATCH**

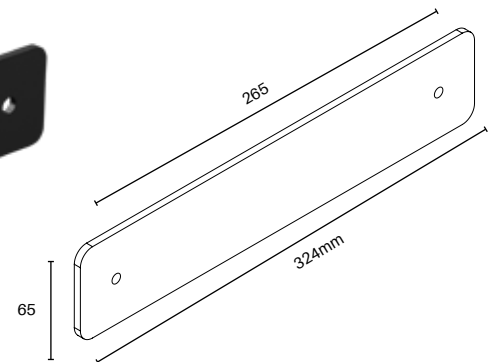
- 5mm steel hot dip galvanised powder coated black
- Suits tunnel posts configuration with 200mm wide tunnel
- Total of 8x 7mm diameter fixing holes
- Sliding gate should stop approx. 20mm short of gate catch end



## Security top plate

Order Code: **ZF-SG-TPPLATE**

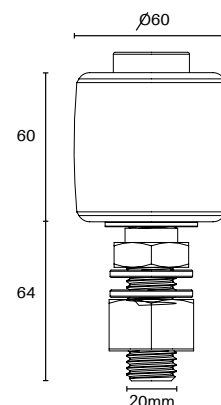
- 324mm wide flat plate with fixing holes both ends
- 5mm steel hot dip galvanised powder coated black
- Optional extra security feature to install on the gate leading edge tunnel post for when gate in closed position
- Install plate just above gate top frame to prevent gate being lifted off track
- 2x 7mm diameter fixing holes
- Anti tamper proof screw fixing recommended



## Guide roller

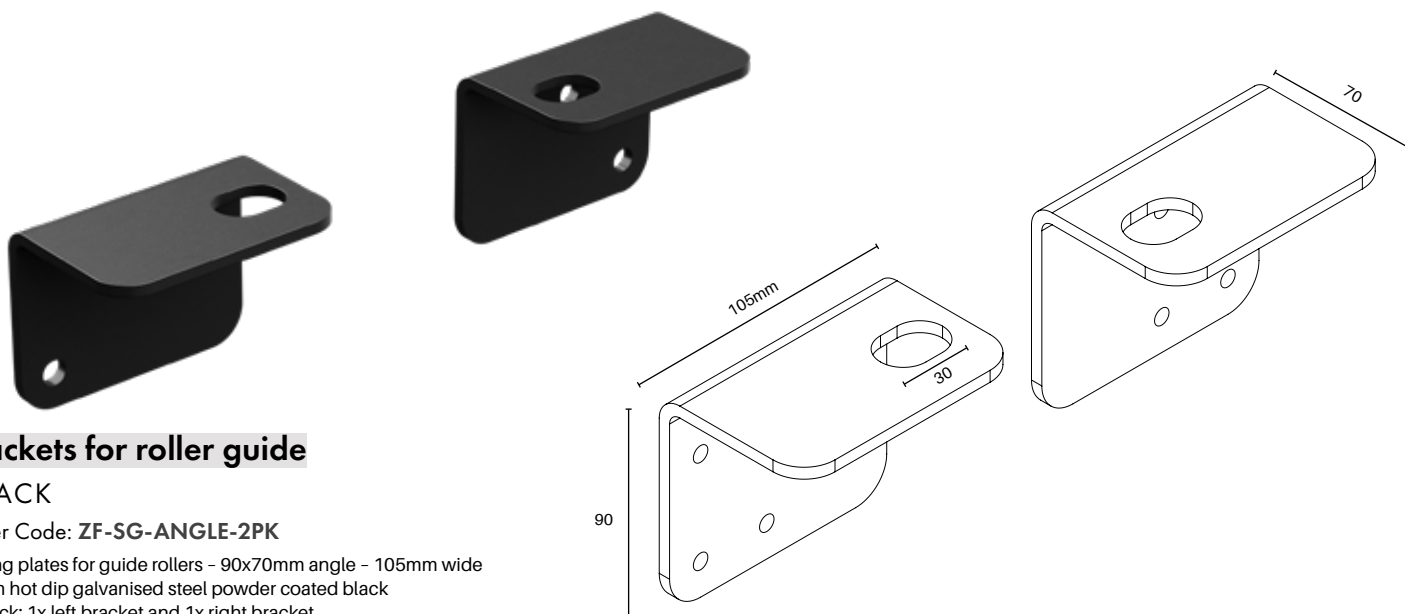
Order Code: **ZF-SG-GUIDEROLLER**

- 60mm diameter roller x 60mm long with M20 thread
- Premium roller featuring ball bearings with stainless steel bearing cage
- Made in Italy
- Assemble onto posts with specially made plates – refer code: ZF-SG-ANGLE-2PK
- Sold as single guide roller. 2 required per gate installation





# ZEUS STEEL SLIDING GATE – HARDWARE



## Brackets for roller guide

2 PACK

Order Code: **ZF-SG-ANGLE-2PK**

- Fixing plates for guide rollers – 90x70mm angle – 105mm wide
- 5mm hot dip galvanised steel powder coated black
- 2 pack: 1x left bracket and 1x right bracket
- 30 x 22mm slotted hole for guide roller installation. Slotted hole allows final adjustment of guide roller position
- Predrilled for fixing to posts & slotted hole for M20 guide roller thread
- 4x 7mm diameter fixing holes per bracket
- Made to suit 200mm wide tunnel post opening

## Anti tamper screws

25 PACK

Order Code: **ZF-SECURESCREW-25PK**

- 12G x25mm long button head anti-tamper screw.
- 10mm diameter button head
- Black powder coated
- Respected "Pentaforce" brand
- Requires special drive bit for fixing: refer code ZF-PENTAFORCE-BIT
- Recommended to use for fixing of :
  - Catch to tunnel post
  - Roller guide angle brackets to posts
  - Security top plate to posts
  - Tunnel post joiner to posts
  - Can also be used for affixing panel brackets to posts for fence panels



## Drivebit for anti tamper screws

Order Code: **ZF-PENTAFORCE-BIT**

- Required for fitting of Pentaforce anti-tamper screws
- Sold as single drive bit







# ZEUS SLIDING GATE – HOW TO ORDER

## STEP 1 – SELECTING A HEIGHT

- Determine height of the sliding gate required. Sliding gates are either 1790mm or 2090mm high.
- The 1790mmH gate complement 1800mmH installed security fence panels. The 2090mmH gate complements 2100mmH installed fence panels.
- Gate wheels and track must be taken into account which adds approximately 45mm to the finished gate height.

### **1790MM GATE TYPICAL CONFIGURATION**

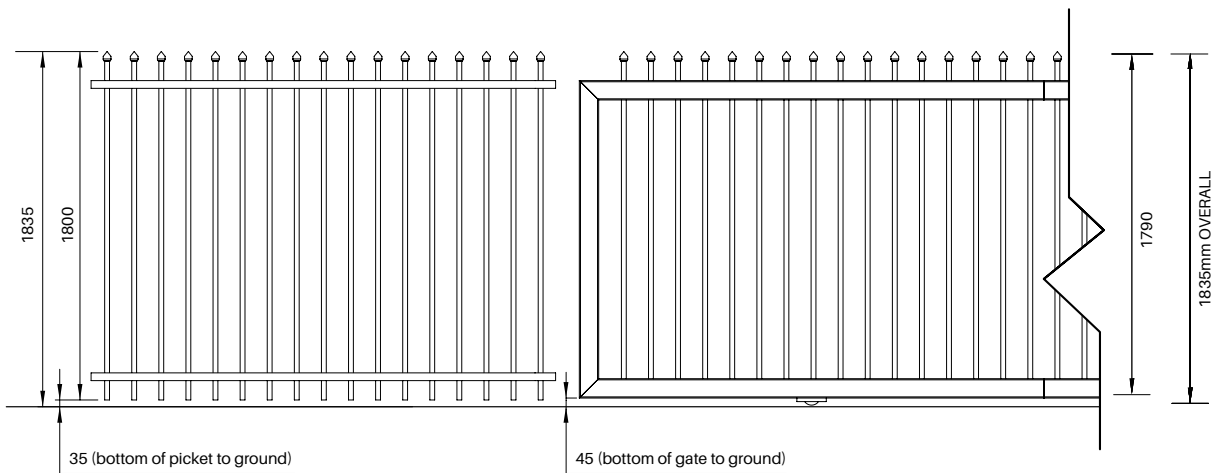
The overall height of gate is 1835mm having regard to track, wheels and gate.

If the top of sliding gate pickets are to align with adjacent fence panels, the fence panels should be installed with a 35mm gap from ground to bottom of picket.

\*\*A 15mm gate height adjustment packer is available.

If used, the overall gate height increases to 1850mm.

Adjacent fence panels therefore would require a 50mm gap from ground to bottom of picket.



### **2090MM GATE TYPICAL CONFIGURATION**

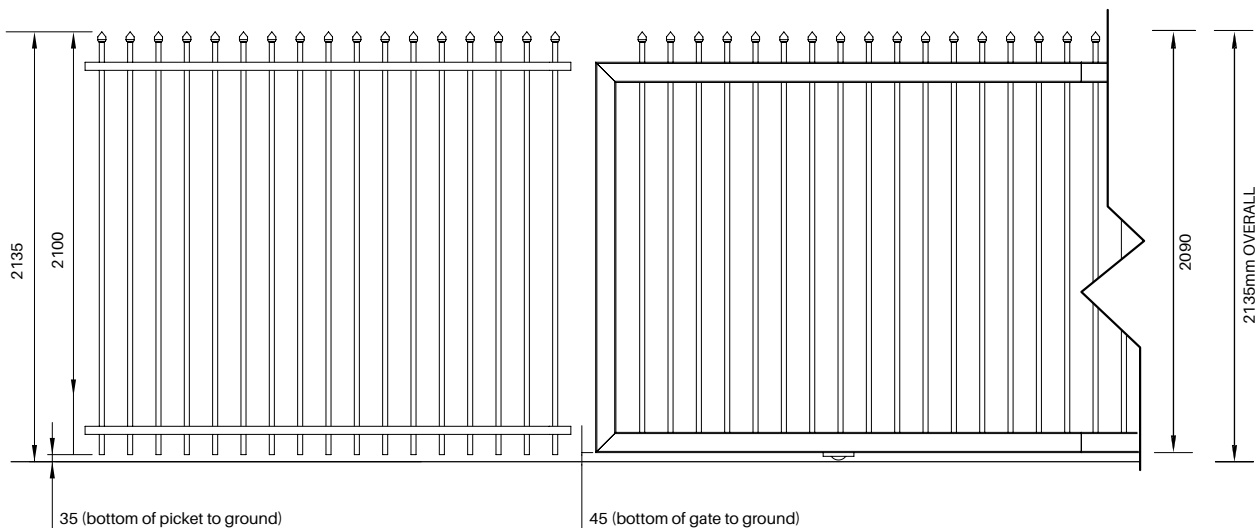
The overall height of gate is 2135mm having regard to track, wheels and gate.

If the top of sliding gate pickets are to align with adjacent fence panels, the fence panels should be installed with a 35mm gap from ground to bottom of picket.

\*\*A 15mm gate height adjustment packer is available.

If used, the overall gate height increases to 2150mm.

Adjacent fence panels therefore would require a 50mm gap from ground to bottom of picket.





# ZEUS SLIDING GATE – HOW TO ORDER

---

## STEP 2 – DETERMINE WIDTH

- Sliding gate kits are made 4260mm wide. If a narrower gate is required, it may be width adjusted.
- If a wider gate is required, modular middle panels are available at either 1260mm or 2100mm wide.
- Add up to 2 extra middle gate panels to achieve desired width up to a maximum of 8500mm wide.
- Gates may be width adjusted by removing end vertical stile, cutting a section and reinstalling gate end stile.

**TIPS:** Ensure the gate protrudes past the opening at least 400mm to allow for gate motor installation.

If middle gate sections are added to extend width, a joiner kit is required per mid gate panel.

If a slight extension is required at gate end for a motor, an optional extra vertical gate stile with extended bottom rail is available to extend the gate end by 400mm.

**Reference codes:**

For gate kits 1790mm high: ZF-SG-4260-1790

For mid panels 1790mm high: ZF-SG-M-1260-1790 (1260mm wide) or ZF-SG-M-2100-1790 (2100mm wide)

For gate kits 2090mm high: ZF-SG-4260-2090

For mid panels 2090mm high: ZF-SG-M-1260-2090 (1260mm wide) or ZF-SG-M-2100-2090 (2100mm wide)

Joiner Kit if mid panel required (1 x joiner kit required per mid panel addition): ZF-SG-J-2PK

Optional vertical gate stile with extended leg

For 1790mm high gate: ZF-SG-VGS-1790

For 2090mm high gates: ZF-SG-VGS-2090

---

## STEP 3 – TUNNEL POST MATERIALS

- Due to the commercial nature and weight of sliding gates, tunnel posts are recommended at both gate ends.
- To create a tunnel post, core drill 2x 65x65mm steel posts side by side creating a 200mm wide internal opening. Into the top of the posts, install a tunnel post joiner.
- Commonly a total of 4 x posts and 2 x tunnel post joiners required per gate installation.
- Use anti tamper screws for fixing off tunnel post joiner to post.

**Reference codes:**

Posts: ZF-2400-B (2400mm high post) or ZF-2700-B (2700mm high post)

Tunnel Post Joiner: ZF-SG-TUNNEL

Anti Tamper Screws: ZF-SECURESCREW-25PK

---

## STEP 4 – GATE TRACK + WHEELS

**Various items are required:**

- Gate track – order 6000mm wide (code: XPSG-6000-TRACK-ST ) or 3000mm wide (code: XPSG-3000-TRACK-ST) track or a combination of both
- Anchor pins for gate track – 42 pins required for 6000mm wide track and 22 pins for 3000mm wide track (code: XPSG-ANCHOR)
- Gate wheels – 2 required per gate (code: ZF-SG-GATEWHEEL)
- Screw bolts for affixing gate wheels – total of 4 required (Code: ZF-SG-TAPTITE-4PK)
- 15mm packers – optional extra to raise gate height by 15mm – 4 pack (code: ZF-SG-PACKER-4PK)

---

## STEP 5 – GATE CATCH + ROLLER GUIDES

**Various items are required:**

- Gate catch required for gate in closed position – designed to fit a 200mm wide tunnel post opening (code: ZF-SG-TPCATCH)
- Roller guides – 2 required per gate (code: ZF-SG-GUIDEROLLER)
- Angle brackets for mounting guide rollers – supplied as a 2 pack to suit 200mm tunnel post opening (code: ZF-SG-ANGLE-2PK)
- Optional extra security flat plate to stop lifting of gate when in closed position (code: ZF-SG-TPPLATE)
- Anti tamper screws – supplied in 25 packs. 1 x pack is sufficient to enable affixing of gate catch, angle brackets, security flat plate & tunnel post joiner. (code: ZF-SECURESCREW-25PK)
- Drive bit for installing anti tamper screws (code: ZF-PENTAFORCE-BIT)

---

## GATE AUTOMATION

Having regard to the commercial nature and weight of sliding gates, there is no 'one size fits all' specification for gate motors. Each installation is unique requiring site specific consideration of automation. GO does not sell gate motors for Zeus security sliding gates. There are various companies that specialise in gate automation that can assist in supply of motors only and/or supply & install solutions.



# ZEUS SLIDING GATE – FABRICATION GUIDE

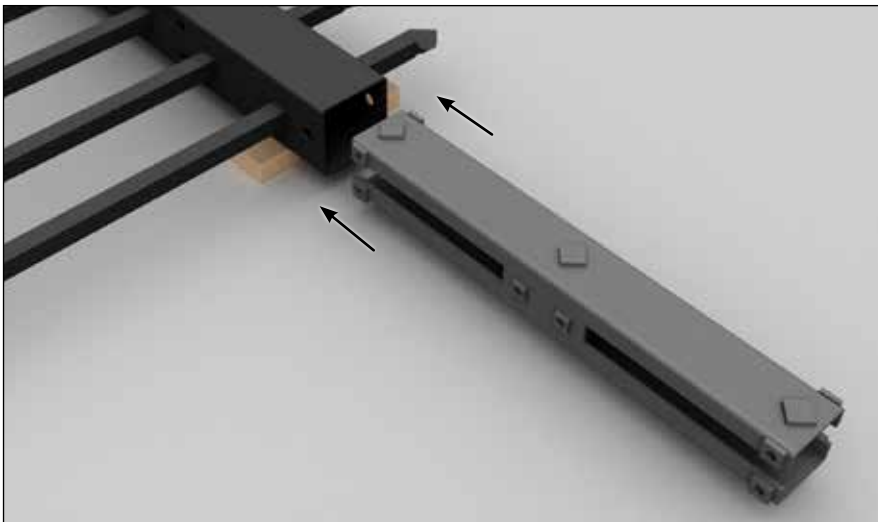
## IMPORTANT NOTE

Sliding gates are heavy. If required, use appropriate lifting equipment to enable safe assembly and installation. Forklifts with jib/sling attachments, gantry cranes, truck hiab operation and similar may require operation by suitably licensed people.



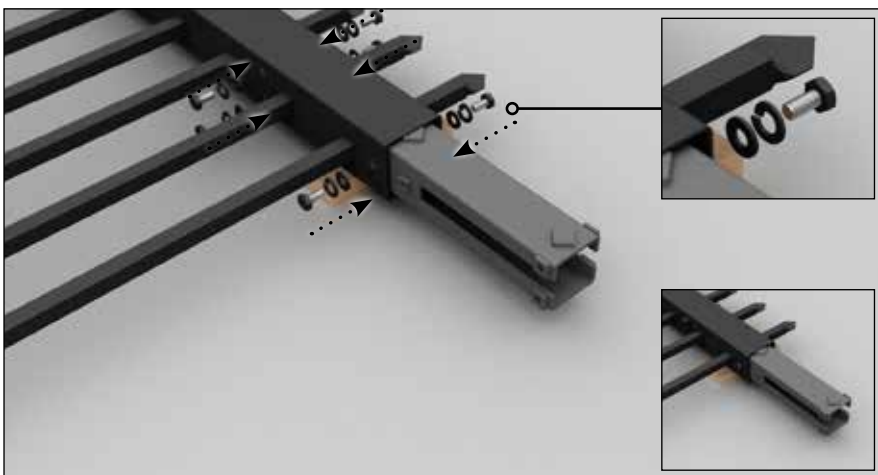
- 1 Sliding gate kit (left and right sides with joiners) is packed on a steel pallet which may be lifted by a forklift.

Unpack pallet carefully keeping in mind the gate sections are heavy. Use lifting equipment if required following manufacturer's instructions for safe operation of equipment.



- 2 Lay gate sections flat and elevate slightly off the ground using timber bearers with a towel/cloth covering the timber. Elevating off the ground reduces chance of scratching powder coat and assists with assembly.

Starting with the gate end which is fully fabricated (i.e. welded mitre corners), slide in joiner into top rail.



- 3 Holes are pre-drilled in the top rail on the topside and underside.

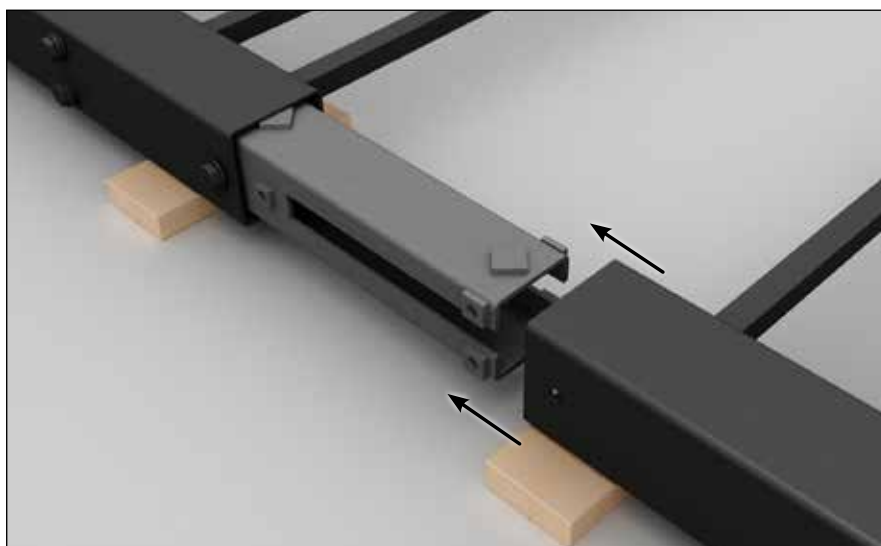
Line up joiner with pre-drilled holes and affix 3 x bolts top side and 3 x bolts on underside, ensuring the use of one washer and one spring washer per bolt.

Tighten bolts to ensure joiner is held securely in position but do NOT fully tighten off yet.

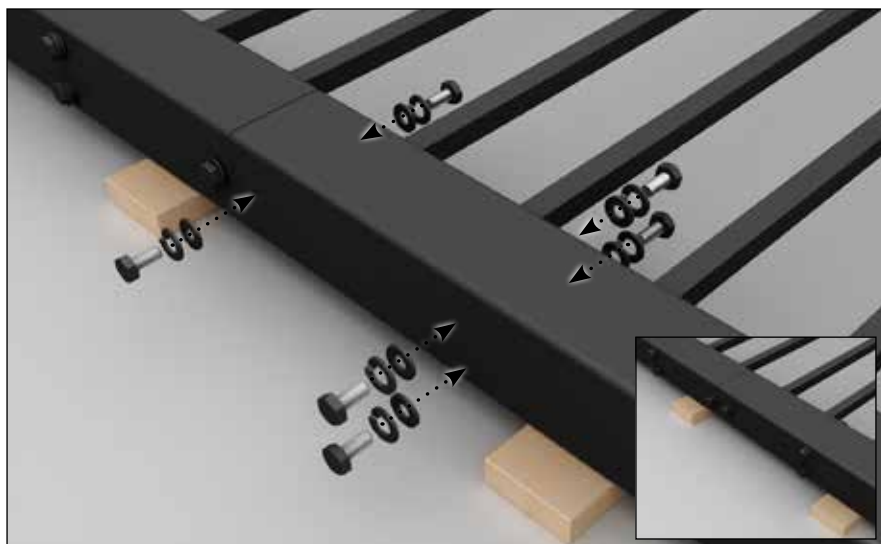
# ZEUS SLIDING GATE – FABRICATION GUIDE



4 For bottom rail, insert and bolt joiner following same steps as for top rail.



5 Lifting carefully, position other side of gate end over protruding joiners.

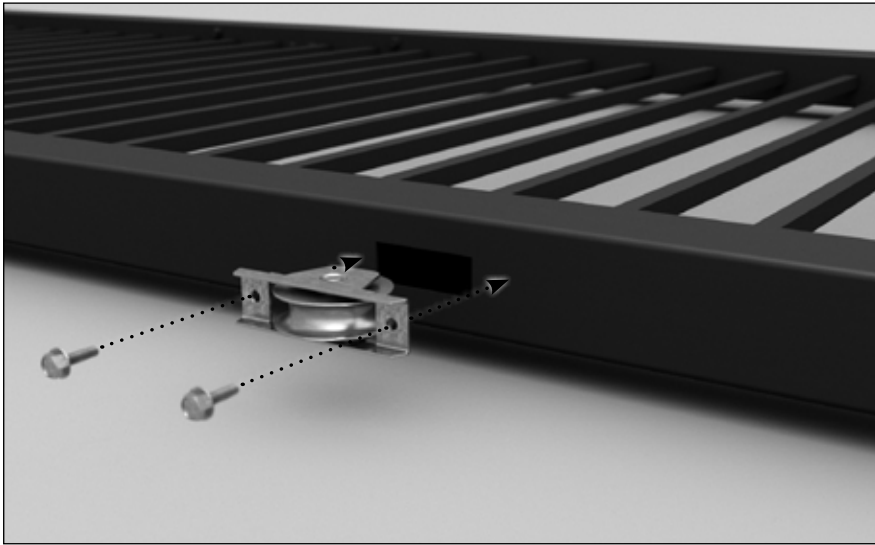


6 Affix 3 x bolts top side and 3 x bolts on underside – for top rail and bottom rail, ensuring the use of one washer and one spring washer per bolt.  
Tighten bolts to ensure joiner held securely in position but do NOT fully tighten off yet.





# ZEUS SLIDING GATE – FABRICATION GUIDE



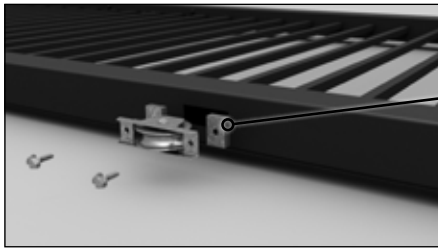
**7** Wheels should be installed approx. 20% in from each end of gates. There are slots in bottom side of bottom rail. Identify appropriate slot positions at each end of the gate. Place wheels into slot holes so wheel is recessed.

Drill a 7.14mm (Imperial – 9/32”) diameter pilot hole either side of wheel through existing hole in wheel casing.

Use M8 Taptite thread-forming screw and drive into each of the 2 x pilot holes. Ensure wheel very firmly fixed.

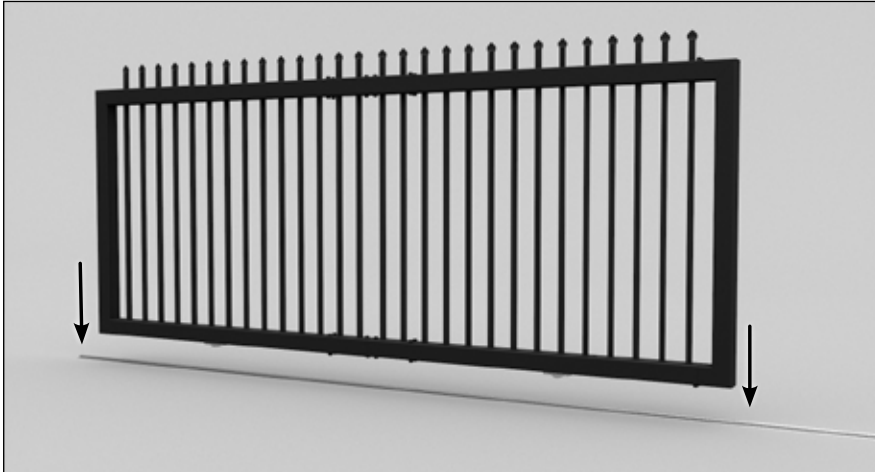
A 1/2” socket bit suits the Taptite screw head.

\*\* If using 15mm height adjustment packer, place in between wheel and bottom of gate frame.



15mm height adjustment packer if required

\*\* Gate kit includes black plastic plugs. Press plugs into unused wheel cavities



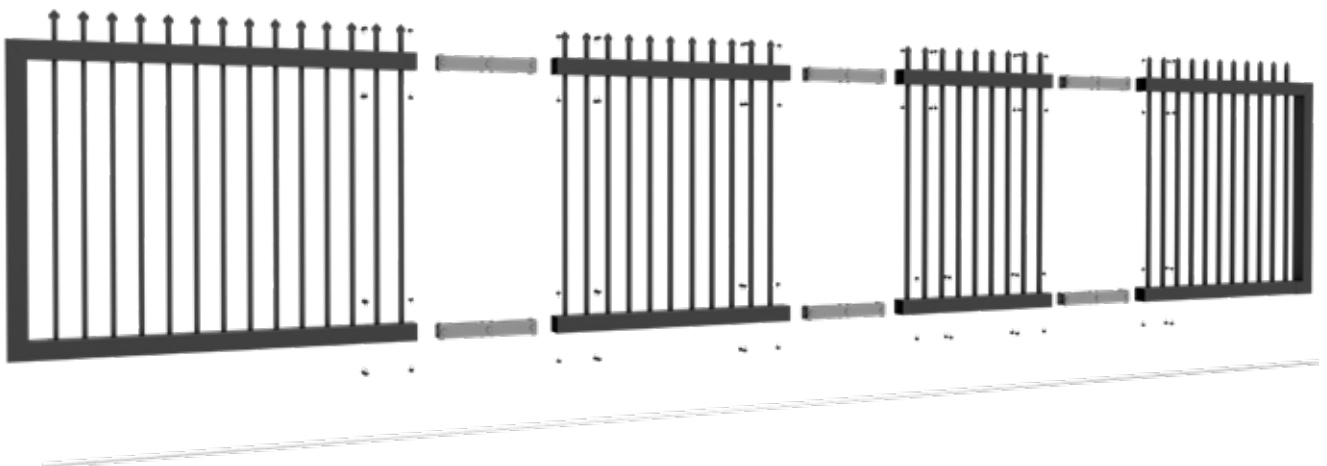
**8** Carefully stand gate up and place on installed gate track.

Once upright and on track, ensure joined sections are in alignment.

Bolts may be loosened off slightly to enable aligning. Once in alignment, tighten off all bolts fully.

FINISH.

**IMPORTANT NOTE** – If extending gate width with middle joiner panels: To join middle panels repeat steps above using internal joiners and bolts.





# ZEUS SLIDING GATE – FABRICATION GUIDE

## WIDTH ADJUSTING GATE

Before commencing assembly of gate, determine overall gate width required. Plan the gate assembly having regard to modular sections including mid panels. If width adjustment is required, adjustment should be made on gate end panel featuring the removable gate stile. This end should always be used as the motor end.

Undertake required width adjustment to gate end panel BEFORE joining to other gate sections.

**EXAMPLE:** Overall gate must be 5900mm wide.

Gate planning: use gate kit providing 4260mm wide + middle panel 2100mm wide = 6360mm wide.

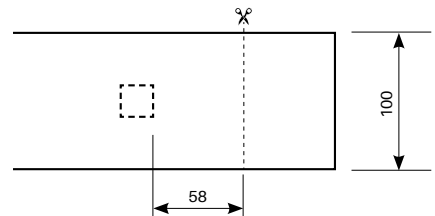
Therefore, must reduce gate width approx. 460mm. Adjust end panel section following below guidance.



### A REMOVE OUTER SIDE BOLTS

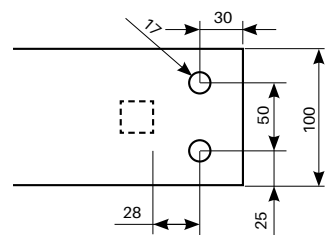
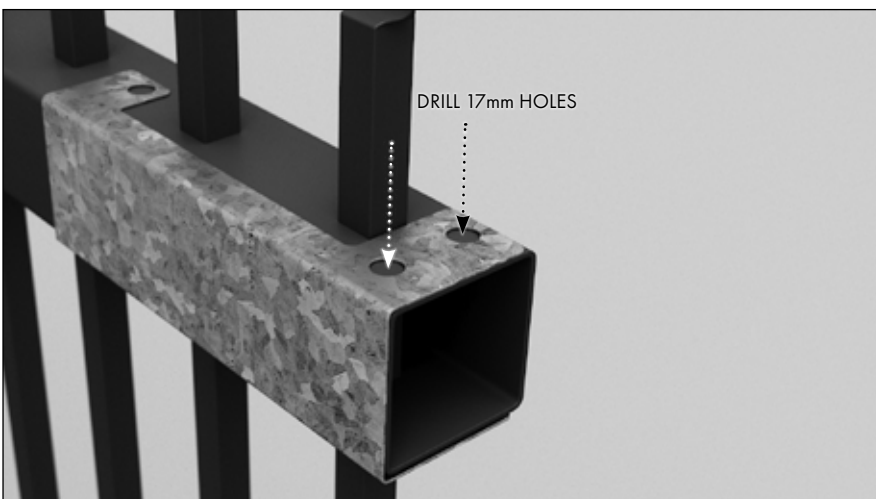
Identify gate section with removable side stile. Lay gate section flat on padded timber bearers to elevate slightly.

Remove 2 x bolts on top section of gate frame and 2 x bolts on underside of gate frame. Remove vertical stile and store safely.



### B Identify width of gate section to remove.

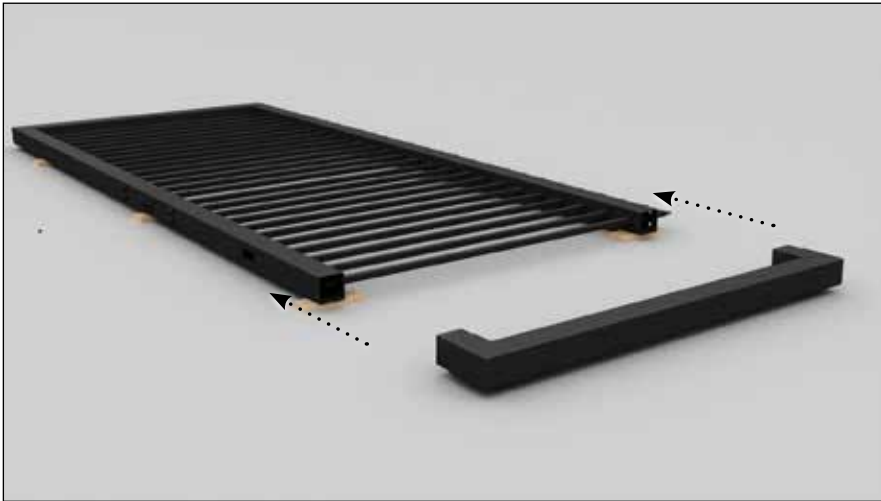
**IMPORTANT NOTE:** cut panel so that end is 58mm from end of a picket.



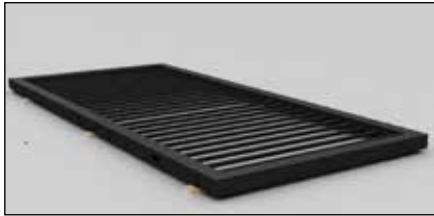
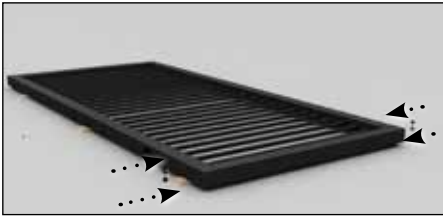
### C Drill 2 x 17mm holes on top side of gate frame and 2 x 17mm holes on underside of bottom rail. Refer drawing.



# ZEUS SLIDING GATE – FABRICATION GUIDE



**D** Replace gate side stile and use the same 4 x bolts previously removed to re-bolt.





# ZEUS SLIDING GATE – FABRICATION GUIDE

## ASSEMBLING VERTICAL STILE WITH EXTENDED LEG

Undertake required side stile extension attachment to gate end panel BEFORE joining to other sections.



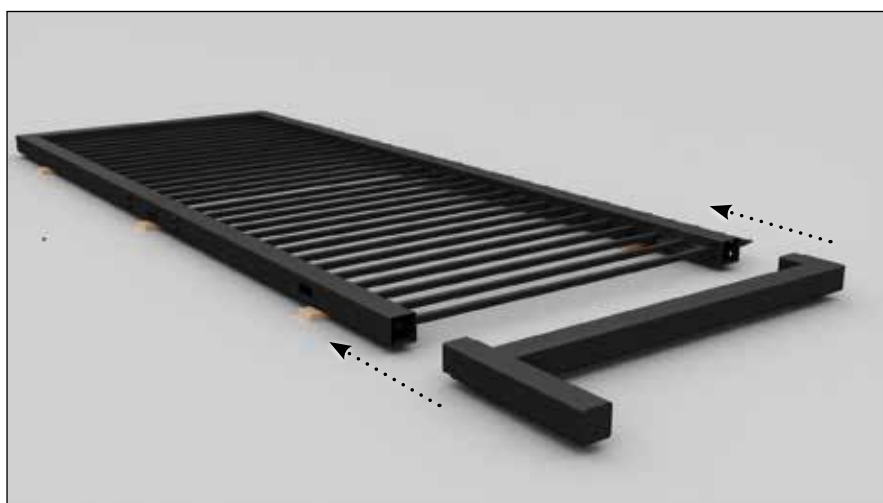
### i REMOVE INNER SIDE BOLTS

Identify gate section with removable side stile. Lay gate section flat on padded timber bearers to elevate slightly.

Remove 2 x bolts on top section of gate frame and 2 x bolts on underside of gate frame. Remove vertical stile and store safely.



### ii Remove gate stile and retain bolts.



### iii Replace gate side stile with motor side stile and use the same 4 x bolts previously removed to re-bolt.

**IMPORTANT NOTE:** If width adjustment to the gate is required in addition to extended gate stile assembly, refer to width adjust steps above undertaking width adjustment first.







# ZEUS ORDER CODES

Order Code	Description	Colours
ZF-SP-2400-1800/2100	Zeus steel panel – 2400mm wide, 1800mm or 2100mm high	
ZF-PG-0975-1800/2100	Zeus steel gate – 975mm wide, 1800mm or 2100mm high	
ZF-G-2450-1800/2100	Zeus steel gate – 2450mm wide /1800mm or 2100mm high	
ZF-2400/2700-B	65x65mm steel post – 2400mm or 2700mm long	
ZF-65TC	Top cap (Nylon)	
ZF-PICKET-4PK	Zeus steel pickets – 4 pack – 2100mm long	
ZF-1800-GC-2PK	Zeus steel gate converters – for 1800mm H steel panels	
ZF-2100-GC-2PK	Zeus steel gate converters – for 2100mm H steel panels	
ZF-1800-GC-LEVER-2PK	Zeus steel gate converters – routed for mortice lock	
ZF-2100-GC-LEVER-2PK	Zeus steel gate converters – routed for mortice lock	
XT-MORT-LOCK	Mortice Lock Kit	
XT-MORT-ES	Electric Striker	
SS-GS	D&D Gate stop	
ZF-BSEC-4PK	Zeus panel steel security brackets – 4 pack	
ZF-BSEC-DELUXE-4PK	Zeus security steel brackets – DETE spec – 4 pack	
ZF-BH4	Zeus panel aluminium brackets – 4 pack	
ZF-SECURESCREW-25PK	Anti tamper screws	
ZF-PENTAFORCE-BIT	Drivebit for anti tamper screws	
ZAF-SP-2400-1800/2100	Zeus aluminium panel – 2400mm wide, 1800mm or 2100mm high	
ZAF-PG-0975-1800/2100	Zeus aluminium gate – 975mm wide, 1800mm or 2100mm high	
ZAF-PICKET-4PK	Zeus aluminium pickets – 4 pack – 2100mm long mill finish	
XP-2400/6000-65HD-B	65x65mm aluminium post – 2400mm or 6000mm long	
XP-65BP-SET-B	65x65mm aluminium post base plate set	
XP-65DR-B	Aluminium dress ring	
XP-65TP-B	Aluminium top cap	
ZAF-1800-GC-2PK	Zeus aluminium gate converters 1800mm H	
ZAF-2100-GC-2PK	Zeus aluminium gate converters 2100mm H	

Aluminium



# ZEUS ORDER CODES CONTINUED

Order Code	Description	Colours
ZF-SP-2400-2100-DETE	Zeus DETE steel panel – 2400mm wide x 2100mm high	
ZF-3000-7575-B-DETE	75x75mm steel post – 3000mm long	
ZF-3000-SQ100-B-DETE	100x100mm steel post – 3000mm long	
ZF-CI3720B	Shut It heavy duty hinge	
SURECLOSE-HH	Sureclose – Readyfit hinge	
SURECLOSE-NSC	Sureclose – Readyfit hinge – Non self closing	
<b>SLIDING GATES</b>		
ZF-SG-4260-1790/2090	Zeus steel sliding gate – 4260mm W x 1790mm or 2090mm H	
ZF-SG-M-1260/2100-1790	Zeus steel middle sliding gate extension panel – 1790mm H	
ZF-SG-M-1260/2100-2090	Zeus steel middle sliding gate extension panel – 2090mm H	
ZF-SG-J-2PK	Joiner kit	
ZF-SG-VGS-1790/2090	Vertical gate stile with extended bottom rail	
ZF-SG-TUNNEL	Tunnel post joiner	
ZF-2400/2700-B	65x65mm steel post	
ZF-SG-GATEWHEEL	Sliding gate wheel	
ZF-SG-TAPTITE-4PK	Screw gate for wheel – 4 pack	
ZF-SG-PACKER-4PK	15mm packer – 4 pack	
XPSG-3000/6000-TRACK-ST	Steel sliding gate track – 3000mm or 6000mm long	
XPSG-ANCHOR	Sliding gate track pins	
ZF-SG-TPCATCH	Gate catch	
ZF-SG-TPPLATE	Security top plate	
ZF-SG-GUIDEROLLER	Guide roller	
ZF-SG-ANGLE-2PK	Brackets for roller guide	
ZF-SECURESCREW-25PK	Anti tamper screws	
ZF-PENTAFORCE-BIT	Drivebit for anti tamper screws	

## BREEZEWIRE STAINLESS SYSTEMS

### The highest quality electropolished SS316 wire

Wire balustrade provides a modern and stylish finish which may be installed stand alone or in combination with timber posts/handrail or glass. We offer everything you need to create a stunning stainless steel wire balustrade.



Produced by a single manufacturer with 25 years of production excellence. Consistency of quality assured.



Electropolish process improves corrosion resistance and provides a shiny and smooth surface.



Extra ultrasonic washing step ensures the brightest wire finish.

### WIRE OPTIONS



#### 1x19 Stainless steel wire

3.2MM – GRADE SS316

Available in 100m or 305m rolls

Code: BW-S1193.2-100 (100m roll)  
BW-S1193.2-305 (305m roll)

- 19 individual wires woven into a single strand
- Electropolish superior shiny and smooth surface
- High resistance to tea staining
- Rigid wire with minimal stretch - ideal for straight runs
- Fittings at ends of wire should be swaged on - swageless fittings can also be used



Cut to size service also available  
Simply provide opening sizes



#### 7x7 Stainless steel wire

3.2MM – GRADE SS316

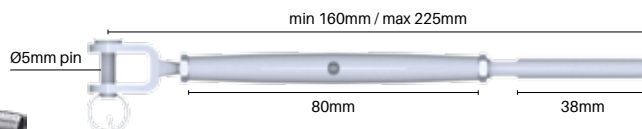
Available in 100m or 305m rolls

Code: BW-S773.2-100 (100m roll)  
BW-S773.2-305 (305m roll)

- 49 strands of wire woven into a single strand
- Electropolish superior shiny and smooth surface
- Semi-flexible wire suitable for swaging or for use with thimble and ferrules (hand swaging)



# BREEZEWIRE FITTINGS



## Rigging screw

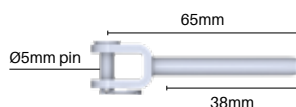
SS316

Code: BW-RSM5-3.2

- Jaw swage - rotate body to tighten wire
- M5 x 3.2mm (with locking nut)
- Use with eye screws, lag screws or saddles
- Swage to wire using hydraulic press
- In-house hydraulic swaging service available



Ideal for stairs/angled installs as fitting can pivot on pin



## Fork terminal

SS316

Code: BW-FTM5-3.2

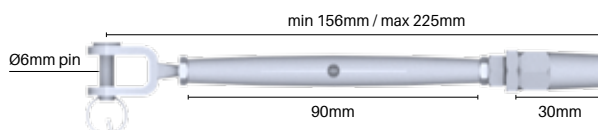
- Fork terminal swage
- M5 x 3.2mm
- Use with eye screws, lag screws or saddles
- Swage to wire using hydraulic press
- In-house hydraulic swaging service available



Ideal for stairs/angled installs as fitting can pivot on pin



SWAGELESS



## Swageless rigging screw

SS316

Code: BW-RSM6-SLESS

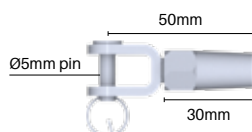
- Jaw and swageless - No specialised tools required
- M6 x 3.2mm (with locking nut)
- Simply push in wire and rotate gripping terminal body to tighten - quick and easy assembly
- Use with eye screws, lag screws or saddles



Ideal for stairs/angled installs as fitting can pivot on pin



SWAGELESS



## Swageless fork terminal

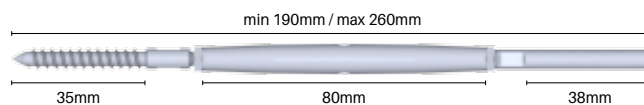
SS316

Code: BW-FT-SLESS

- Swageless - No specialised tools required
- Suits 3.2mm wire
- Simply push in wire and rotate gripping terminal body to tighten - quick and easy assembly
- Use with eye screws, lag screws or saddles



Ideal for stairs/angled installs as fitting can pivot on pin



## Lag rigging screw

SS316

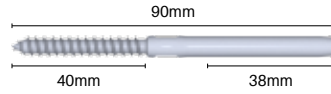
Code: BW-RSLAG-3.2

- Lag screw threaded rigging screw - provides slimline finish
- Rotate body to tighten wire
- M5 x 3.2mm (with locking nut) with an M6 lag screw
- Suitable for installation into timber
- Swage to wire using hydraulic press
- Suggested to use with **BW-M6LST-L** at other end





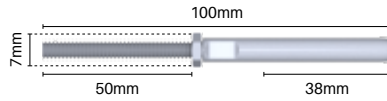
# BREEZEWIRE FITTINGS



## Lag threaded terminal

SS316  
Code: BW-M6LST-L/R (Left/Right)

- Lag screw swage - Left & right hand available - provides slimline finish
- M6 x 3.2mm
- Left and right required to complete system
- Tighten by turning terminal with spanner
- Suitable for installation into timber
- Swage to wire using hydraulic press
- In-house hydraulic swaging service available



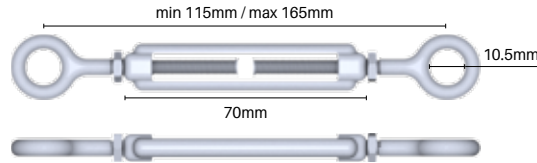
## Threaded terminal

SS316  
Code: BW-TTM6-3.2-L/R (Left/Right)

- Swage stud - Left & right hand available - provides slimline finish
- M6 x 3.2mm (with locking nut)
- Threads into M6 blind rivet nut or M6 tapped post
- Tighten by turning terminal with spanner
- Swage to wire using hydraulic press
- In-house hydraulic swaging service available



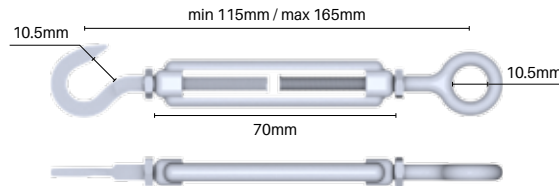
Can be used with pre-tapped posts. A left and right post is required  
Use with hex tensioner



## Eye to eye turnbuckle

SS316  
Code: BW-TBM5-EE

- Turnbuckle open body
- M5 - Eye to eye (with locking nuts)
- Tighten wire by turning body of fitting
- Use with thimble and ferrules or wire rope grip
- Commonly used with 7x7 wire due to wire flexibility required



## Hook to eye turnbuckle

SS316  
Code: BW-TBM5-HE

- Turnbuckle open body
- M5 - Hook to eye (with locking nut)
- Tighten wire by turning body of fitting
- Use with thimble and ferrules or wire rope grip
- Commonly used with 7x7 wire due to wire flexibility required
- Hook end enables easy install - simply hook onto end fitting



## 3.2mm thimble SS316

- Code: BW-TH-3.2
- Use with 7x7 wire and ferrule for hand swaging
  - Simple installation - swage onsite with hand tool
  - Thimble commonly used with eye screws or saddles for end fixings



## 3.2mm ferrule

### NICKLE PLATED COPPER

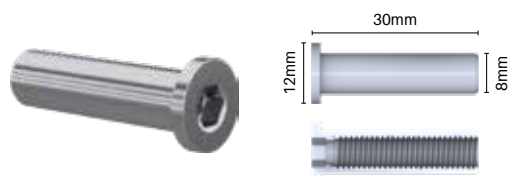
- Code: BW-FER-3.2
- Use in conjunction with 7x7 wire and thimble
  - Use hand swage tool to clamp swage sleeves



Code: BW-HST



# BREEZEWIRE FITTINGS



## Allen key hex tensioner

SS316

Code: **BW-HEXTEN-M6**

- M6 internal right hand thread
- Use with M6 threaded terminal (BW-TTM6-3.2-R)
- Tighten wire by turning allen key head - wire must be swaged



Drill through post both sides then fit hex tensioner with threaded terminal through hole - hex tensioner head rests on outside wall of post for a neat finish

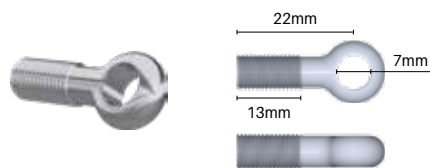


## Dome head terminal

SS316

Code: **BW-DHT-3.2**

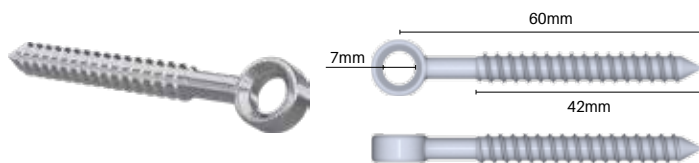
- Swage terminal onto 3.2mm wire
- Commonly used at opposite end of a hex tensioner installation
- Head of dome terminal rests on outside wall of post
- Provides slimline finish



## Eye screw SS316

Code: **BW-M6X10-ES**

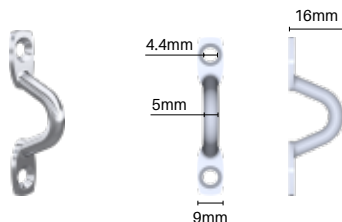
- M6 eye screw
- Use with M6 blind rivet nut (right thread only) or M6 tapped posts (right threaded)
- Suits screwing into pre-tapped SS316 base plated posts
- Ideal for staircase/angled installs in conjunction with rigging screws/fork terminals - terminals can swivel to required angle easily



## Lag eye screw SS316

Code: **BW-M6X60-LS**

- M6 lag eye screw
- Suitable for fixing to timber
- Ideal for staircase/angled installs in conjunction with rigging screws/fork terminals - terminals can swivel to required angle easily



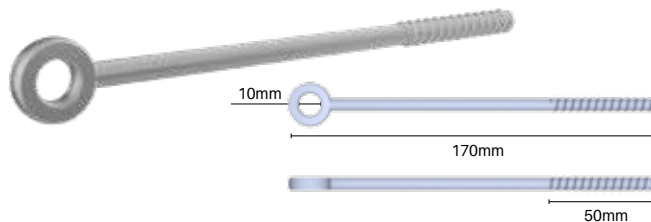
## 5mm saddle SS316

Code: **BW-M5-SAD**

- M5 saddle
- Versatile end fitting - affix to timber or steel/aluminium
- Ideal for staircase/angled installs in conjunction with rigging screws/fork terminals - terminals can swivel to required angle easily



Also suitable for fixing to metal



## Deluxe lag screw SS316

Code: **BW-DELUXE-170LAG**

- 170mm long extended lag screw
- Ideal where wire/vines need to be offset from the wall
- Screw into timber for 100mm-120mm offset
- Chemset into concrete for 50mm-100mm offset
- 10mm inner eye diameter allows swaged terminals to pass through

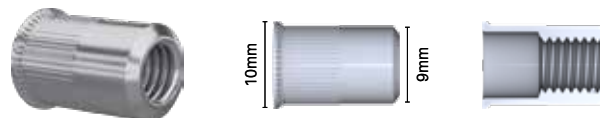
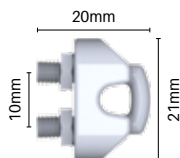


## Wire rope grip

SS316

Code: **BW-WG-3.2**

- Suits 3.2mm wire
- Clamping action holds wire in place



## Blind rivet nut SS304

Code: **BW-M6RIVNUT-L/R (Left/Right)**

- M6 - Left & right threaded available
- Also referred to as a nutsert
- Install with rivet nut hand tool
- Suitable for metal posts - drill hole size: Ø9mm
- Commonly used with eye screws or threaded terminals



## Split nylon grommet

Code: **BW-SNG-B/G (Black/Grey)**

- Available in UV stabilised black or grey
- Should always be used when wire passes through steel or aluminium posts
- Drill hole size: 9mm
- Use to prevent electrolysis or chafing by separating stainless steel wire from touching metal or aluminium



# BREEZEWIRE POST KITS

A range of SS316 high polish pre-drilled posts & spreader posts.

Our post kits enable a professional and fast installation with huge cost savings with pre-drilled and tapped holes.

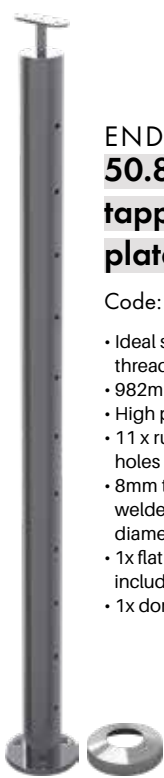
FOR END/CORNER POSTS: Simply screw in eye screws or threaded terminals  
FOR MID POSTS: Hole spacing matches end/corner posts for easy installation

## SPECIFICATION

982mm high round post with pre-welded base plate  
SS316 in high polish #800 finish  
11 x drilled and tapped M6 holes allow for M6 threaded fixings to be screwed into post (mid post holes are not tapped)

## KIT CONTENTS

1 x 50.8mm round post with 11 x drilled and tapped M6 holes with pre-welded base plate – 2.7mm wall thickness (mid post holes are not tapped and mid post wall thickness is 1.5mm)  
1 x domical cover  
2x saddles suitable for flat or 50.8mm round handrail



### END POST 50.8mm drilled & tapped M6 base plated post

Code: BW-LEFTBP/RIGHTBP-P

- Ideal start/end post – left or right threaded
- 982mm high – 2.7mm wall thickness
- High polish finish
- 11 x runs of M6 threaded and tapped holes (81mm hole centres)
- 8mm thick countersunk base plate welded to post (100mm outer diameter)
- 1x flat and 1x 50.8mm curved saddle included – simply affix required saddle
- 1x domical cover included



### 90° POST 50.8mm drilled & tapped M6 base plated post

Code: BW-90BP-P

- Corner post – wire runs into post from 2 sides at 90°
- 982mm high – 2.7mm wall thickness
- High polish finish
- 11 x runs of M6 threaded and tapped holes at 90° (81mm hole centres) – all holes are right threaded
- 8mm thick countersunk base plate welded to post (100mm outer diameter)
- 1x flat and 1x 50.8mm curved saddle included – simply affix required saddle
- 1x domical cover included



### MID POST 50.8mm drilled & base plated post

Code: BW-180BP-P

- 5.5mm holes in posts allow wire to pass through – mid posts are ideal over longer spans to ensure wire spreads evenly and wire deflection is minimised
- 982mm high – 1.5mm wall thickness
- High polish finish
- 11 x runs of drilled holes at 180° (81mm hole centres)
- If using pre-swaged wire, holes must be drilled out to 7mm
- 8mm thick countersunk base plate welded to post (100mm outer diameter)
- 1x flat and 1x 50.8mm curved saddle included – simply affix required saddle
- 1x domical cover included

## FITTINGS IDEAL FOR USE WITH START OR END POSTS



### Threaded terminal

SS316 – left or right

Code: BW-TTM6-3.2-L/R

Use left & right threaded end posts



### Eye screw

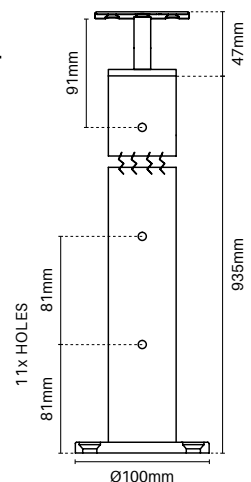
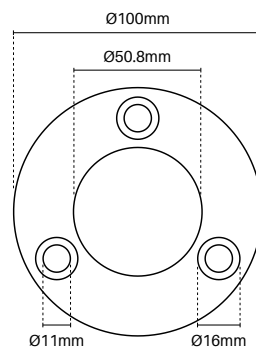
SS316

Code: BW-M6X10-ES

Use with right threaded end posts only

NOTE: Fittings are not required for mid posts.

## TECHNICAL INFO





# 50x10 POSTS & ACCESSORIES

With longer runs of wire, an intermediate/spreader post is recommended to reduce wire deflection.

Our pre-drilled stainless steel 50x10mm posts are ideal for this situation. Depending on installation type, suitably drilled timber posts can also be used.

As a general guide, it is recommended that intermediate posts be used at 1200 centres. Each install situation is different and independent engineering advice should be sought.

All intermediate posts shown below are not structural/load supporting posts. They are designed as spreader posts to reduce wire deflection between structural posts/supports.



## PRE-DRILLED 50x10mm intermediate post

972MM – SS316

Code: BW-5010-972D-BP-P

- 972mm high with 11 x pre-drilled Ø5mm holes at 81mm centres
- SS316 high polish
- If using pre-swaged wire, holes must be drilled out to 7mm
- Provides slimline finish with 10mm front on profile
- Hole centres match with Breezewire 50.8mm diameter end posts
- Welded base plate with 2x countersunk holes
- For top of post, choose from available optional extras dependent on top rail required



## NO DRILL HOLES 50x10mm intermediate post

1000MM – SS316

Code: BW-5010-1000BP-P

- 1000mm high with no drill holes
- SS316 high polish
- Drill the holes as needed to suit install
- Height of post can be adjusted by cutting with a suitable blade
- Welded base plate with 2x countersunk holes
- For top of post, choose from available optional extras dependent on top rail required

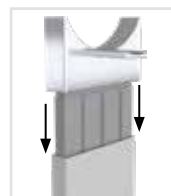


## Adjustable top plate SS316

Code: BW-5010-AHP-P

- Grub screw clamps to top of 50x10 post
- Mechanical fix to post if required
- No welding required – easy post height adjustment with extended neck fitting
- 2x CSK holes – 2x grub screws

If using Breezewire pre-drilled & tapped start/end posts, use this fitting to achieve matching finished post heights

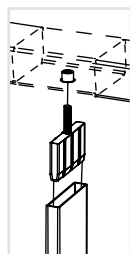
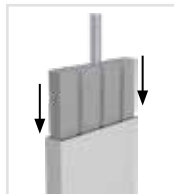


## Round rail converter SS316

Code: BW-5010-RRC-P

- Suits 50x10 post – Fix to Ø50.8mm tube
- Tube can be neatly screwed/riveted from tags at side of fitting
- Mechanical fix to post if required

If using Breezewire pre-drilled & tapped start/end posts, use this fitting to achieve matching finished post heights



## Flat rail converter SS316

Code: BW-5010-SRC

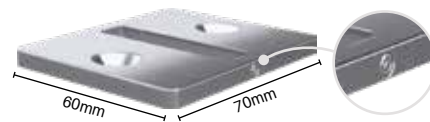
- Use to fix flat metal railing to 50x10mm intermediate post
- Provides a neat finish with hidden fixing
- Insert M6 nutsert into rail, screw flat rail converter into nutsert then drop into post



## 70x60mm base plate SS316

Code: BW-5010-BP-P

- 2x CSK holes
- Suits welding to 50x10mm tube



## 70x60mm top plate SS316

Code: BW-5010-TP-P

- Grub screw clamps to top of 50x10 post
- No welding required – easy post height adjustment
- 2x CSK holes – 2x grub screws



## ADJUSTABLE HEIGHT



TOP



BOTTOM

## Ø12mm slimline wire spreader post SS316

Code: BW-12D-1000D-BP-P

- 1000mm high with 11 x diam 5mm holes pre-drilled at 81mm centres
- SS316 high polish
- If using pre-swaged wire, holes must be drilled out to 7mm
- Slimline look with diam 12mm round profile tube

- Matches hole centres of Breezewire 50.8mm diameter end posts
- Innovative design gives maximum flexibility for installing
- Base plate fixed to tube with grub screws – Top plate suits 50.8mm tube and is clamped on with grub screws (Mechanical fix top/bottom plate if required)
- Height adjustable – simply cut Ø12mm tube to required length





# MOD50 POST RANGE

## MOD50 range Ø50.8mm posts

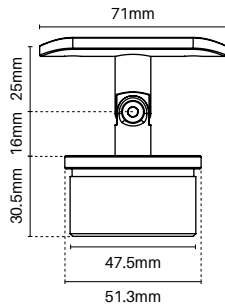
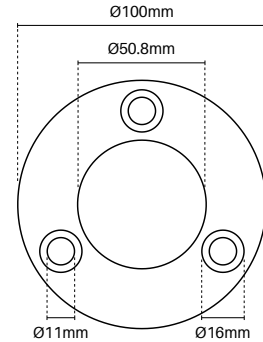
### SS316 – HIGH POLISH FINISH

- Codes: MOD50-1000-BP-P (Base plated)
- MOD50-1300-BP-P (Base plated)
- MOD50-1150-P (Core drill)
- MOD50-1400-P (Core drill)

- 1.5mm wall thickness
- Drill holes for wire as needed to suit install situation
- Commonly used for stairs where pass through holes are not inline
- Not recommended for start/end posts - use heavy duty 2.7mm wall thickness posts for start/end posts
- Height of post can be adjusted by simply cutting with suitable blade
- Welded base plate posts have 3 x countersunk holes
- For top of post, a swivel rail support is available or finish with end cap



### BASE PLATE SPECS



### Swivel head rail support

#### SS316

Code: MOD50-BWSWIV-P

- Use with Ø50.8mm posts with 1.5mm wall thickness (not compatible for use with MOD50 heavy duty posts with 2.7mm wall thickness)
- Suits Ø50.8mm round or flat top rail
- Swivel fitting suits inline or stair installations
- Fittings drop into post - epoxy glue, weld or rivet fitting to post



### Flat cap

#### SS316

Code: MOD50-ECF-P

- Easy to use tap-in fitting
- Suits 1.5mm wall thickness Ø50.8mm posts
- Epoxy glue, weld or drill/tap tube for joint strength



### Domical cover

#### SS316

Code: BW-DC-P

- Raised domical cover
- Use with MOD50 Ø50.8mm round posts
- 23mm high



### Dress ring

#### SS316

Code: MOD50-DR-P

- High polish finish
- Use with MOD50 Ø50.8mm round posts

Images & drawings are not to scale





# SQ50 POST RANGE

## SQ50 range 50x50mm posts

SS316 – Polish, satin or matt black finish

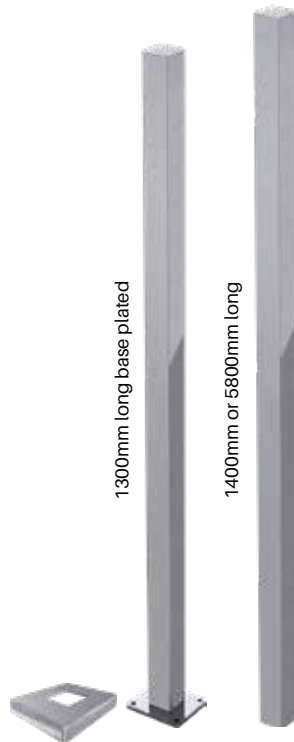
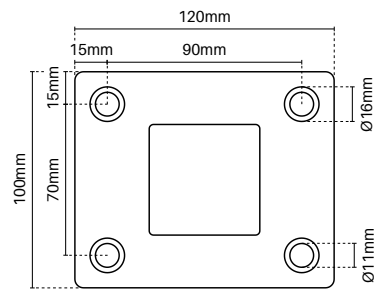
Codes: SQ50-1300-HDBP-P/S/B (Base plated)

SQ50-1400-HD-P/S/B (Core drill)

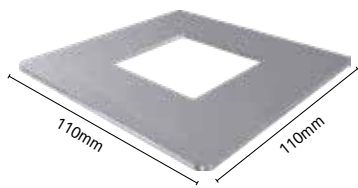
SQ50-5800S-5050-P/S (Core drill)

- Core drill posts – 1400mm H / Base plated posts – 1300mm H
- Also available 5800mm long (polish & satin)
- 2mm wall thickness
- Ideal start or end post option – use in conjunction with saddles or M6 nutserts
- SQ50 posts can also be drilled both sides to be used as mid posts
- Top cap and domical cover included with base plated post – top cap included with 1400mm core drill post

## BASE PLATE SPECS



## HEAVY DUTY SQUARE POST 2mm wall thickness



### Flat dress ring

Polish, satin or matt black finish

Code: SQ50-DR-P/S/B

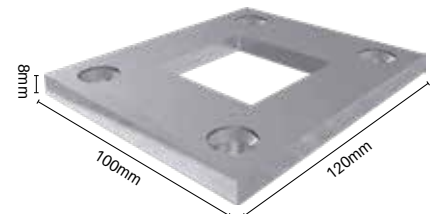


### Domical cover

Polish, satin or matt black finish

Code: SQ50-DC-P/S/B

16mm high cover

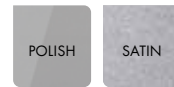


### Base plate

Polish or satin finish

Code: SQ50-BP-P/S

8mm thick



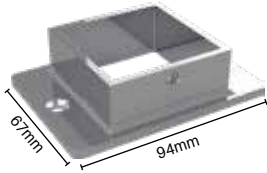
## Installing Breezewire on a staircase?

The rigging screw and fork terminal can swivel to the exact angle needed.

Use rigging screw and fork terminal fittings with saddles or eye screws at each terminating end for quick and easy installation when working with tricky angles on staircases.



# SQ50 ACCESSORIES

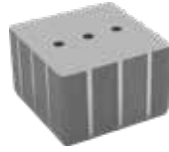


## Oblong flange

SS316 – Polish or satin finish

Code: **SQ50-OBP-P/S**

- Use as a wall plate or use on top of posts to affix a flat handrail
- 25mm deep throat gives flexibility for install
- Internal grub screws hold square tube in place or mechanically fix/weld oblong flange to tube

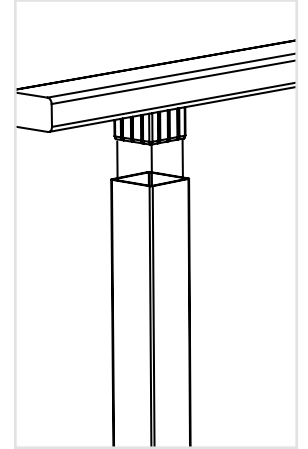
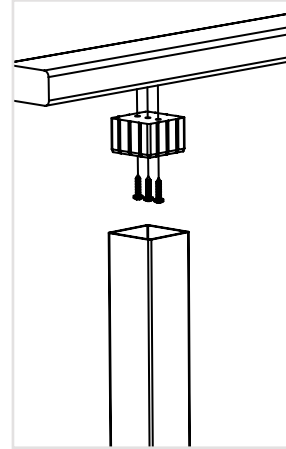


## Internal perpendicular joiner

SS316

Code: **SQ50-IPD**

- Internal fitting holes used to screw/ribose to timber or metal handrail
- After affixing top rail to joiner, drop rail into 50.8mm x 50.8mm square posts
- Rivet internal joiner to post



**CURVED SADDLE ALSO INCLUDED**

Swivel ideal for staircase installs

## Rail support with saddles

SS316 – Polish or satin finish

Code: **SQ50-RS-SWI-P/S**

- Ideal for staircase applications
- Curved & flat saddles included
- Tighten angle with allen key
- No need for welding rail to rail support
- Weld or rivet fitting to vertical post for secure fixing



## Top cap

SS316 – Polish, satin or matt black finish

Code: **SQ50-HDTC-P/S/B**

- Finish a post with the matching top cap
- Use when no handrail is required
- Epoxy, weld or rivet cap to post



# PARIS

SQUARE SS316 OFFSET RAIL SUPPORT

*new innovation!*

**OFFSET HANDRAIL WITH NO WELDING REQUIRED!**



## Paris offset bracket

SS316 – Polish or satin finish

Code: **PARIS-OB-SQ-P/S**

Drop in post block



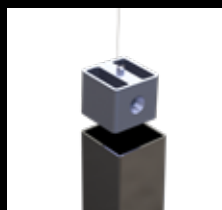
## Sq post screw set

Code: **PARIS-PS-SQ**

## HOW TO USE PARIS OFFSET RAIL SUPPORT



Drill hole in post to accommodate Paris offset bracket



Lower internal block into post – line up block with drilled hole in post



Secure block in place with washer and mounting screw



Place Paris offset bracket over mounting screw



Tighten grub screw to secure in place



Attach desired handrail support



# WIRE INSTALLATION ACCESSORIES



## Rigging screw tightener

Code: BW-RST-TOOL

- Rigging screw tightening tool
- Also can tighten threaded terminals



## Socket drive

Code: BW-M6SOCKET

- Use to screw M6 lag eye screws into timber
- Use with standard cordless drill



## Wire rope cutter

Code: BW-CUTTER

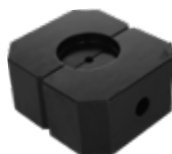
- Cut 7x7 or 1x19 wire with hand tool



## Hydraulic hand pump

Code: BW-HP-1

- Suits BW-CO-630 hydraulic press
- Used for swaging wire



## 3.2mm hex die

Code: BW-DIE-H03

- Suits BW-CO-630 hydraulic press
- Ensures secure fixing of wire to fitting



## Hydraulic swage press

Code: BW-CO-630

- 30t hydraulic swage press



## Rivet nut hand tool

Code: RIV-TOOL

- Allows for quick insertion of stainless steel nutserts into posts
- Pack includes M4, M5, M6, M8 & M10 right threaded mandrel set
- Adjust stroke for different wall thickness on posts (0.5mm to 3mm)



## M6 left hand threaded mandrel

Code: RIV-M6-LHM

- Use with RIV-TOOL for left hand threaded nutsert (BW-M6RIVNUT-L)
- Mandrel included with rivet nut hand tool is right threaded only – if installing left threaded nutserts, a left threaded mandrel is required



## M6 right hand threaded mandrel

Code: RIV-M6-RHM

- Use with RIV-TOOL for right hand threaded nutsert (BW-M6RIVNUT-R)
- Mandrel included with rivet nut hand tool is right threaded – purchase separately if extra right hand threaded M6 mandrel is required



Read instructions prior to use to ensure tool functions correctly



## Hand swage tool

Code: BW-HST

- Commonly used for hand swaging 7x7 wire with thimble and ferrule fittings



## Soudal Epofix 82A

300g

Order Code: SOUD-EPOFIX

- 24ml bottle
- Translucent fast curing 2 part epoxy
- Very strong bonding of many types of materials including metal, wood, glass and plastics



## Ultraloc Threadlocker 3242 compound

10ML

Code: ULTRALOC-3242

- Medium strength removable grade threadlocking compound for metal screws, nuts and fasteners from 6mm to 20mm in diameter





# Let us do it for you. Cut to size wire & swage service. Simply provide opening sizes.

EASY TO USE  
EXCEL FORM.  
SIMPLY INPUT  
OPENING SIZES!

Order Form

With 1 x 18 - 3.2mm Wire

Start Point - Terminal Type	Start Point - Fixing	End Point - Terminal Type	End Point - Fixing	No of Wires the wire length	Length of Wire	Total Amount
1						
2						
3						
4						
5						
6						
7						
8						
9						
10						
11						
12						
13						
14						
15						
16						
17						
18						
19						
20						
21						
22						
23						
24						
25						
26						
27						
28						
29						
30						
31						
32						
33						
34						
35						
36						
37						
38						
39						
40						
41						
42						
43						
44						
45						
46						
47						
48						
49						
50						
51						
52						
53						
54						
55						
56						
57						
58						
59						
60						
61						
62						
63						
64						
65						
66						
67						
68						
69						
70						
71						
72						
73						
74						
75						
76						
77						
78						
79						
80						
81						
82						
83						
84						
85						
86						
87						
88						
89						
90						
91						
92						
93						
94						
95						
96						
97						
98						
99						
100						

Page 1

NOTE: For new longer than 8 metres, consider a rigging beam to rigging beam method. No extra section.

Customer Signature: \_\_\_\_\_

We provide a complete swage to size service. Provide your opening sizes & we do the rest. Simple.



Cut to size wire to suit your job



Quick production & despatch



Australia wide delivery



# SWAGED WIRE SYSTEMS



Common examples of configurations for swaged wire  
– All available with cut to size service –

### Rigging screw & fork terminal

**Start/end point fixing**

- 1 Eye screw
- 2 Lag eye screw
- 3 Saddle

**Start/end point fixing**

- 1 Eye screw
- 2 Lag eye screw
- 3 Saddle

Labels: Rigging screw, 1x19 wire, Fork terminal

### Rigging screw & swageless fork terminal

**Start/end point fixing**

- 1 Eye screw
- 2 Lag eye screw
- 3 Saddle

**Start/end point fixing**

- 1 Eye screw
- 2 Lag eye screw
- 3 Saddle

Labels: Rigging screw, 1x19 wire, Swageless fork terminal

### Rigging screws

**Start/end point fixing**

- 1 Eye screw
- 2 Lag eye screw
- 3 Saddle

**Start/end point fixing**

- 1 Eye screw
- 2 Lag eye screw
- 3 Saddle

Labels: Rigging screw, 1x19 wire, Rigging screw

*Note: If the span exceeds 6 metres, use Rigging Screws at both ends for greater tension control*

### Left and Right Lag screw threaded terminals

**Ideal for:** Timber posts

Labels: Lag screw threaded terminal, 1x19 wire, Lag screw threaded terminal

**Ideal for:** Timber posts

### Left and Right Threaded terminals

**Ideal for:** M6 nutsert, Drilled/tapped post

Labels: Threaded terminal, 1x19 wire, Threaded terminal

**Ideal for:** M6 nutsert, Drilled/tapped post



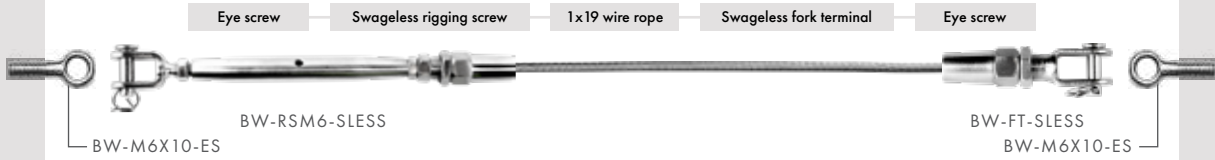
# SWAGELESS WIRE SYSTEMS

Common examples of configurations for swageless or hand swaged wire  
(Not available with cut to size service)

## Swageless system 1

**Fix into**

- M6 nutsert
- M6 tapped post
- Breezewire right hand tapped post



**Fix into**

- M6 nutsert
- M6 tapped post
- Breezewire right hand tapped post

## Swageless system 2

**Fix into**

- Timber posts



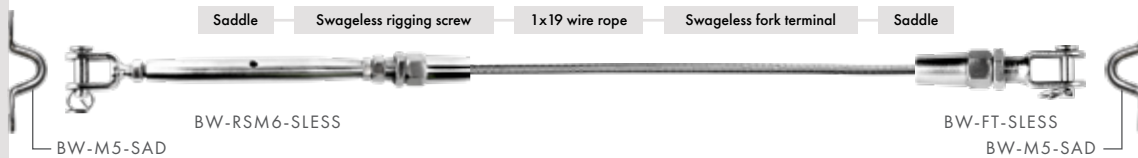
**Fix into**

- Timber posts

## Swageless system 3

**Fix into**

- Steel posts
- Stainless steel posts
- Timber posts
- Aluminium posts



**Fix into**

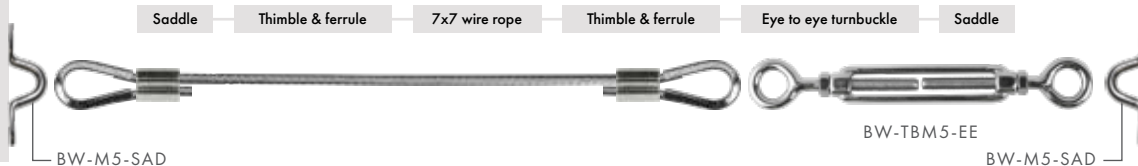
- Steel posts
- Stainless steel posts
- Timber posts
- Aluminium posts

**HAND SWAGING**

## Swageless system 4

**Fix into**

- Steel posts
- Stainless steel posts
- Timber posts
- Aluminium posts



**Fix into**

- Steel posts
- Stainless steel posts
- Timber posts
- Aluminium posts

## OVERVIEW OF COMMON DEDUCTIONS FOR WIRE CUTTING

**Examples:**

1000mm wide opening using FIXINGS of eye screws both sides with TERMINALS of swaged Fork Terminal one side and swaged Rigging Screw the other side:

Wire length required is: 1000mm minus 5mm minus 5mm minus 30mm minus 162mm = 798mm wire length

2000mm wide opening using FIXINGS of lag eye screw both sides with TERMINALS of Swageless Fork Terminal and Rigging Screw the other side:

Wire length required is: 2000mm minus 20mm minus 20mm minus 24mm minus 162mm = 1774mm wire length

CODE:	TERMINALS	PER SIDE DEDUCTION MM
BW-RSM5-3.2	Rigging screw terminal	162mm
BW-RSM6-SLESS	Rigging screw terminal (swageless)	172mm
BW-FTM5-3.2	Fork terminal	30mm
BW-FT-SLESS	Fork terminal (swageless)	24mm
BW-TTM6-3.2-L/R (left or right)	Threaded terminal	37mm
BW-M6LST-L/R (left or right)	Timber lag screw terminal	20mm

CODE:	FIXINGS	PER SIDE DEDUCTION MM
BW-M6X10-ES	Eye screw	5mm
BW-M6X60-LS	Lag screw	20mm
BW-M5-SAD	Saddle	12mm



**Save time!**

We offer an in-house CUT TO SIZE & SWAGE service so we can do it all for you OR you may wish to cut the wire and swage the terminals yourself using the advised deductions as a guide.





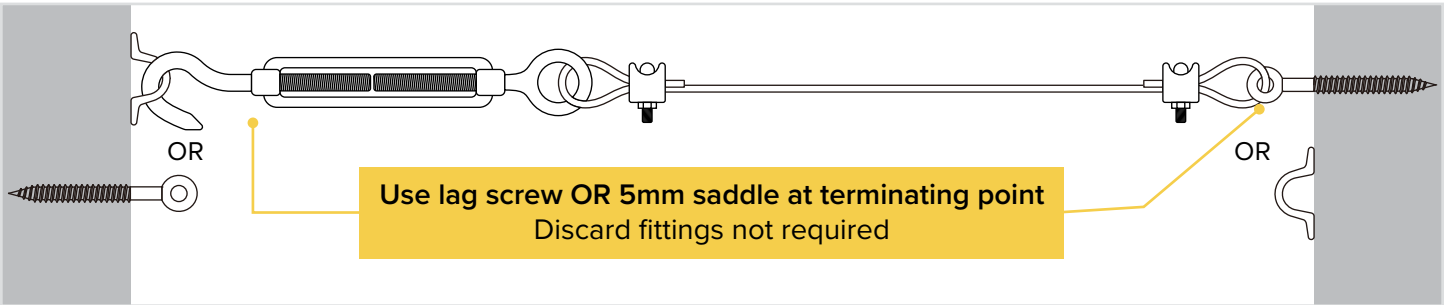
# TRELLIS KITS



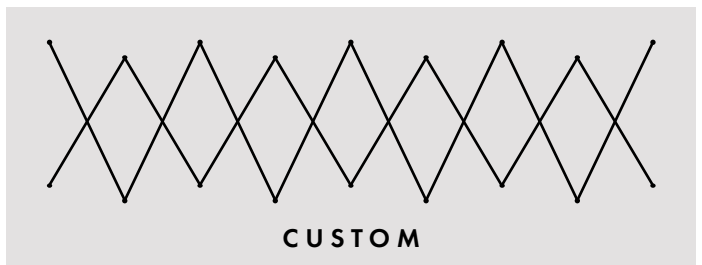
## Trellis kits

Code: **RBW-TK-2.5/5/10**  
(2.5m/5m/10m kit)

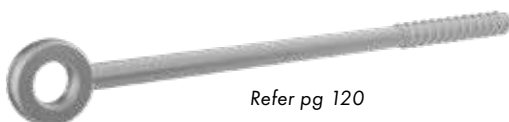
- Trellis kits with 2.5, 5 or 10 metre wire lengths available
- 1x turnbuckle hook & eye, 2x lag eye screws, 2x grips & wire and 2x saddles
- Use to grow vines or vertical gardens - a great solution for creating green spaces



## DESIGN YOUR OWN LOOK WITH OPTIONAL EXTRAS



Deluxe lag screw available for offsetting wire separately



Refer pg 120



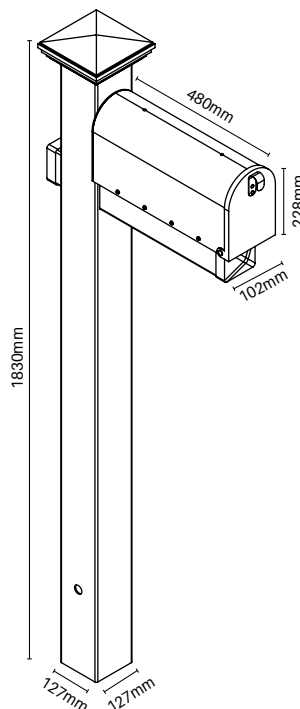
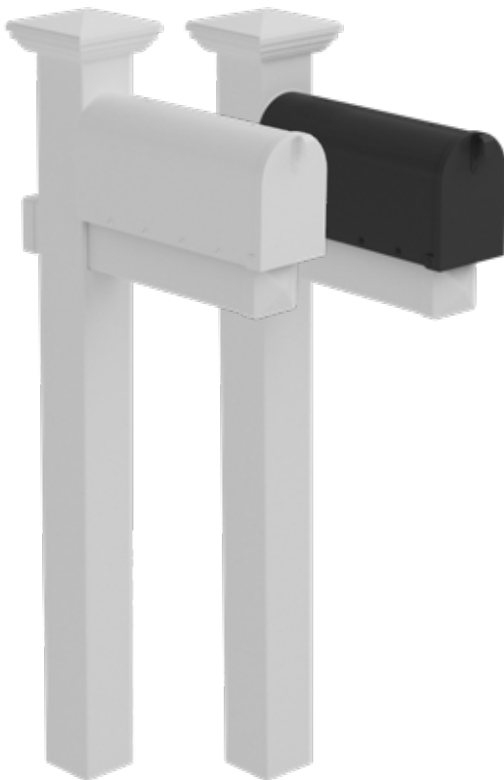


## LETTERBOXES

### Hamptons Letterbox

WHITE OR CHARCOAL  
LETTERBOX

Order Code: **HF-LETTERBOX-CH** (Charcoal)  
**HF-LETTERBOX-W** (White)



### TECH SPECS

- Complete kit in 1 x box ready for easy assembly
- Kit includes post, horizontal arm, letterbox & assembly screws
- 1830mm high white PVC post for in-ground installation
- Internal base plate can be used if installing onto concrete. Use base plate (HF-FULLP-BP)
- Letterbox made from durable powder coated steel
- Refer [www.productinstall.com.au/hamptons](http://www.productinstall.com.au/hamptons) (password: hamptons1) for guidance on assembly & installation

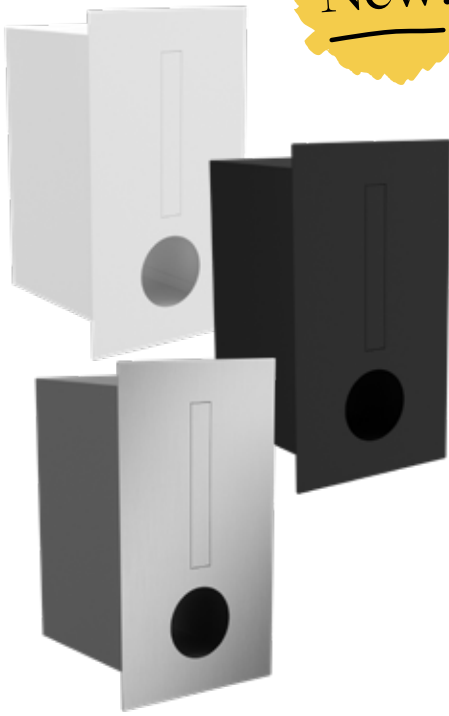
### KIT INCLUSIONS

- 1 x Vertical Post  
(1830mm H x 127mm W x 127mm D)
- 1 x Horizontal Arm  
(610mm L x 102mm W x 102mm D)
- 1 x Powder Coated Steel Mailbox  
(480mm L x 164mm W x 228mm H)
- 1 x Mounting Plate  
(380mm L x 155mm W x 25mm H)
- 1 x Post Cap & 2 x Horizontal Arm Caps
- 12 x Assembly screws



# POSTA

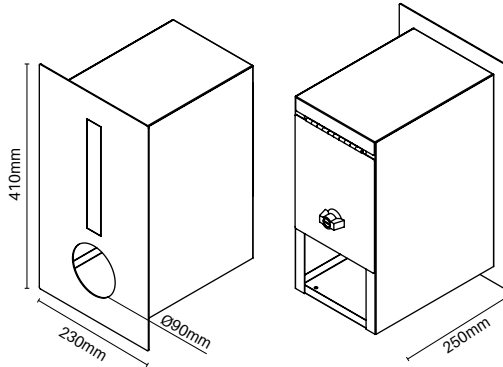
**New!**



## POSTA fence mount letterbox

White, Black powder coat or SS316 finishes  
410mm H x 230mm W

Order Code: **POSTA-FML-W**  
**POSTA-FML-B**  
**POSTA-FML-SS316**



## TECH SPECS

- Modern design
- Powder-coated galvanised steel letterbox in black or white finish. Also available in Stainless Steel satin finish 316 marine grade front panel with powder-coated grey galvanised box.
- Newspaper holder built in
- Rain resistant flap
- Includes key lock & keys
- Includes all mounting fittings & assembly instructions
- Posts, slat & sideframes sold separately



**NOTE: Features a sleeve for easy fixing to fence.**

Scan QR code for detailed install instructions  
Password - Posta1



IDEAL FOR EASY INSTALLATION WITH BRICK, SLAT, HAMPTONS, TIMBER & COLORBOND FENCES



Features innovative rear sleeve: simply press sleeve against rear of fence once POSTA letterbox inserted into opening.



Then fix off sleeve to fence and letterbox: fast, easy & effective installation. Sleeve also covers gaps around opening in fence that POSTA letterbox is inserted into.



# POSTA CHARACTERS

## POSTA Letters & Characters

Order Code: See table on page 134  
Each number/letter sold separately

### Finishes –



1 2 3 4 5 6 7 8 9 0 / A B C  
1 2 3 4 5 6 7 8 9 0 / A B C

## 5 FINISHES AVAILABLE

- 1 50mm – Black powder coat with stick on 3M adhesive
- 2 50mm – SS316 Satin with stick on 3M adhesive
- 3 120mm – Black powder coat with stick on 3M adhesive
- 4 120mm – SS316 Satin with stick on 3M adhesive
- 5 120mm – SS316 Satin with stud fixing\*\*

## TECH SPECS

- Numbers & letters available in 50mm or 120mm high
- Available in stainless steel 316 or black powder coated aluminium
- Simple solution – simply stick onto letterbox, post or wall with 3M adhesive or use 'stud' option (SS316 POSTA only) with rods
- Stylish modern font

## \*\*EASY STUD INSTALLATION (SS316 POSTA ONLY)



### Timber frame

- 1 Mark holes using studs as a guide. Drill two 4mm holes. (Drill two 6mm holes for flush mount).
- 2 Attach character using threaded rods, washers and nuts provided.

### Brick

- 1 Mark holes using studs as a guide.
- 2 Drill two 5.5mm holes, 40mm deep and insert wall plugs.
- 3 Screw threaded pins to character and push character into wall.



# CHARACTER ORDER CODES

**1**  
50mm | **A**

Order Code	Description
<b>POSTA 50MM HIGH – ALUMINIUM BLACK Powder coat</b> 3mm thick with 3M adhesive tape	
POSTA-BLK-H050-0	Number "0"
POSTA-BLK-H050-1	Number "1"
POSTA-BLK-H050-2	Number "2"
POSTA-BLK-H050-3	Number "3"
POSTA-BLK-H050-4	Number "4"
POSTA-BLK-H050-5	Number "5"
POSTA-BLK-H050-6	Number "6"
POSTA-BLK-H050-7	Number "7"
POSTA-BLK-H050-8	Number "8"
POSTA-BLK-H050-9	Number "9"
POSTA-BLK-H050-/	Character "/"
POSTA-BLK-H050-A	Letter "A"
POSTA-BLK-H050-B	Letter "B"
POSTA-BLK-H050-C	Letter "C"

**2**  
50mm | **A**

Order Code	Description
<b>POSTA 50MM HIGH – SS316 SATIN</b> 1.5mm thick with 3M adhesive tape	
POSTA-SS-H050-0	Number "0"
POSTA-SS-H050-1	Number "1"
POSTA-SS-H050-2	Number "2"
POSTA-SS-H050-3	Number "3"
POSTA-SS-H050-4	Number "4"
POSTA-SS-H050-5	Number "5"
POSTA-SS-H050-6	Number "6"
POSTA-SS-H050-7	Number "7"
POSTA-SS-H050-8	Number "8"
POSTA-SS-H050-9	Number "9"
POSTA-SS-H050-/	Character "/"
POSTA-SS-H050-A	Letter "A"
POSTA-SS-H050-B	Letter "B"
POSTA-SS-H050-C	Letter "C"

**3**  
**A**

Order Code	Description
<b>POSTA 120MM HIGH – ALUMINIUM BLACK Powder coat</b> 3mm thick with 3M adhesive tape	
POSTA-BLK-H120-0	Number "0"
POSTA-BLK-H120-1	Number "1"
POSTA-BLK-H120-2	Number "2"
POSTA-BLK-H120-3	Number "3"
POSTA-BLK-H120-4	Number "4"
POSTA-BLK-H120-5	Number "5"
POSTA-BLK-H120-6	Number "6"
POSTA-BLK-H120-7	Number "7"
POSTA-BLK-H120-8	Number "8"
POSTA-BLK-H120-9	Number "9"
POSTA-BLK-H120-/	Character "/"
POSTA-BLK-H120-A	Letter "A"
POSTA-BLK-H120-B	Letter "B"
POSTA-BLK-H120-C	Letter "C"

**4**  
120mm | **A**

Order Code	Description
<b>POSTA 120MM HIGH – SS316 SATIN</b> 1.5mm thick with 3M adhesive tape	
POSTA-SS-H120-0	Number "0"
POSTA-SS-H120-1	Number "1"
POSTA-SS-H120-2	Number "2"
POSTA-SS-H120-3	Number "3"
POSTA-SS-H120-4	Number "4"
POSTA-SS-H120-5	Number "5"
POSTA-SS-H120-6	Number "6"
POSTA-SS-H120-7	Number "7"
POSTA-SS-H120-8	Number "8"
POSTA-SS-H120-9	Number "9"
POSTA-SS-H120-/	Character "/"
POSTA-SS-H120-A	Letter "A"
POSTA-SS-H120-B	Letter "B"
POSTA-SS-H120-C	Letter "C"

**5**

Order Code	Description
<b>POSTA – 120MM High WITH STUD MOUNT – SS316 SATIN</b> 1.5mm thick with 2 x M4 SS304 threaded rod + nuts/ washers and 2 x M4 pointed SS304 threaded rod	
POSTA-STUD-H120-0	Number "0"
POSTA-STUD-H120-1	Number "1"
POSTA-STUD-H120-2	Number "2"
POSTA-STUD-H120-3	Number "3"
POSTA-STUD-H120-4	Number "4"
POSTA-STUD-H120-5	Number "5"
POSTA-STUD-H120-6	Number "6"
POSTA-STUD-H120-7	Number "7"
POSTA-STUD-H120-8	Number "8"
POSTA-STUD-H120-9	Number "9"
POSTA-STUD-H120-/	Character "/"
POSTA-STUD-H120-A	Letter "A"
POSTA-STUD-H120-B	Letter "B"
POSTA-STUD-H120-C	Letter "C"



120mm

Floating/  
3D effect sits  
off 8mm

Scan QR code for  
detailed install  
instructions  
*PWD - Posta 1*







7A





Errors and omissions excepted. Measurements and drawings are provided as a guide only and should not be relied upon solely for installation purposes.

Product codes, products and prices may change at GO's discretion as systems are constantly reviewed and updated. Please contact GO if you require clarification of product codes, pricing or product stocking.

Due to each installation situation being different, it is the installer's responsibility to seek engineering compliance and/or certification should it be required as part of a project, regulatory or statutory requirement.

As each installation site is different, it is the installer's responsibility to consider the impact of wind loads on the design of a fence. Please consult your engineer for site specific matters relating to wind loads.

Colours displayed in PDF's or printed documents are indicative only and should not be relied on as a true representation of actual powder coat colour. All products should adhere to a suitable care and maintenance schedule.

©Copyright 2022. This catalogue is the copyright of GO and cannot be reproduced, copied or replicated without the prior written consent of GO. Such consent applies to images as well as text.

GO Fencing & Breezewire Systems V11