

GLASS SHOWER SCREEN systems

What you'll find inside

v7

Frameless, semi-frameless, fully framed, pivot door & sliding shower screen systems
Chrome, matt black, pearl satin, brushed brass/gold, matt white,
gunmetal & brushed nickel frameless hardware
Shower seals & water bars
Bathroom accessories



The essentials.

PAGE **8**

Frameless shower screens

Frameless modular glass panels with a selection of stylish hardware

PAGE **84**

STÄL sliding shower screens

Fully framed shower screens available in matt black, chrome polish or brushed gold finish

PAGE **104**

Trilogy series shower screens

Fully framed shower screens available in matt black or chrome polish

PAGE **115**

Bathware accessories

Contemporary ranges to complement any bathroom

And everything else.

| | | | |
|--|----|---|-----|
| Purity BIANCO chrome hardware overview | 8 | Purity modular glass panels..... | 54 |
| Zürich chrome hardware overview..... | 10 | Bath screens | 59 |
| Zürich pearl satin hardware overview..... | 11 | Privacy shower configurations | 62 |
| Purity NERO matt black hardware overview..... | 12 | Linea framed shower range | 82 |
| Purity ORO brushed gold hardware overview | 14 | STÄL sliding shower screens | 84 |
| Purity SNO matt white hardware overview..... | 16 | STÄL hardware | 86 |
| Purity GIO gunmetal hardware overview | 17 | STÄL custom glass | 92 |
| Purity NiKL brushed nickel hardware overview | 19 | STÄL modular glass panels | 95 |
| Purity & Zürich hinges | 20 | STÄL glass layout configurations..... | 96 |
| Purity & Zürich wall brackets | 29 | Trilogy Series shower screens..... | 104 |
| Purity mechanically fixed brackets | 32 | Trilogy Series inline shower panels | 107 |
| Purity & Zürich knobs & handles | 34 | Trilogy Series return shower panels..... | 112 |
| Purity brace brackets & door stops | 38 | Trilogy Series return hardware kits..... | 114 |
| Purity support & stabiliser arms | 40 | AERO bathroom accessories..... | 116 |
| Multiarm | 42 | CURVE bathroom accessories..... | 121 |
| Purity accessories | 44 | PILLAR bathroom accessories | 124 |
| Purity u channels, water seals & water bars | 46 | Shower hinge overview..... | 130 |
| Extras & accessories | 52 | Bracket & knob overview..... | 132 |
| | | Bracket & handle hardware overview..... | 134 |



**Due to space restrictions,
not all stock featured in
this catalogue is stocked
at all depots.**

**We recommend touching
base with your closest
depot prior to order
placement if unsure.**



The highest quality shower screen glass.

We have developed a reputation in the trade for supplying the highest quality tempered glass. Absolute attention to detail in production, packing and quality control mean clients can be assured of consistency of top quality products

Glass factory

All steps in production process reach the highest quality levels

Float glass

- All glass is processed from the same float glass supplier
- Quality and die batch of glass remains consistent
- Strict quality checks to ensure only conforming float glass is processed

Double edge polishing machines

- Perfect polish and blemish free edges
- Horizontal double edge polishing machines give the finest edge finish
- Speed of glass through edging machine is monitored
- Quality control personnel check each sheet of glass
- Sophisticated water filtration system ensures clean water used during polishing

Tempering oven

Toughened glass is made from annealed glass via a thermal tempering process. The glass is placed onto a roller table, taking it through a furnace that heats it above its annealing point of approx 700 °C. The glass is then rapidly cooled with forced air drafts. Of critical importance in glass processing is the tempering furnace used

- New furnace used can toughen up to 2440 x 3600mm glass
- Specially designed furnace for heavy glass – Optimally toughens 8mm thick and above
- On-site mechanic ensures regular maintenance
- Punch testing of toughened glass every hour as per Australian Standards

Tested & certified

Our 6mm, 8mm, 10mm & 12mm glass is tested and certified as complying with the requirements of Australian & New Zealand Standard 2208:1996 – Safety Glazing Material in Buildings

Detailed quality control

At each stage of production (cutting, polishing, drilling, tempering and packing) dedicated Quality Control Personnel inspect each sheet of glass. Glass identified as not conforming to the highest quality standards is set aside.

In addition to skilled factory staff, we retain our own Quality Assurance people to review shipments. Random sampling of glass is undertaken to ensure compliance with detailed quality assurance specifications relating to glass surface finish, edge finish, labelling identification, packing specification and the like. Quality assurance reports are provided to us and the factory to ensure the highest standards are continually achieved and monitored.

Full ERP system implemented with each sheet barcoded: records kept to show exact time glass processed at each step of production = industry leading manufacturing.

GASP testing machine: MEASURING SURFACE STRESS IN TEMPERED GLASS to ensure optimal tensile surface strength. Testing with the GASP machine allows optimisation of furnace settings; ensures conformance to specifications and avoids under or over-stressing glass.

Attention to detail in packing

Shower glass panels are individually packed in cardboard cartons for extra protection in situations where shower panels must be moved through construction sites and/or confined spaces. With each panel in a protective cardboard box the chance of chipping or scratching glass prior to install is reduced significantly.



We're serious about quality, seriously.

Toughened shower glass is Grade "A" standard and proudly displays the Global Mark certified product mark.

We are authorised to display the Global Mark product conformance mark as confirmation that the manufacturing process is able to consistently produce glass in compliance with AS/NZS 2208: 1996 Safety Glazing Materials In Buildings.

SGS

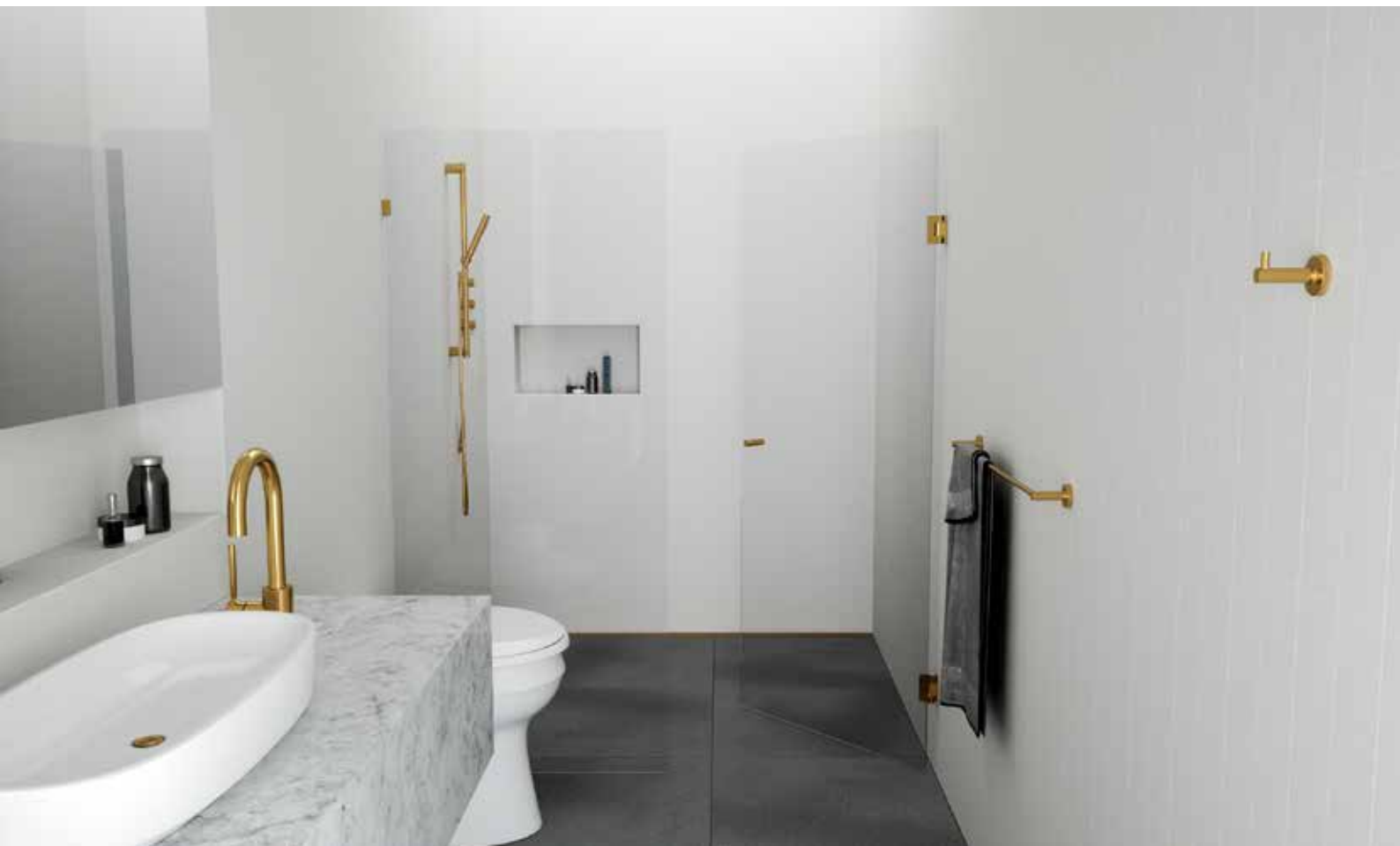
Taking the extra steps

In addition to Global Mark conformance, we retain the services of SGS. SGS is internationally recognized as the leader for inspection, verification, testing and certification with 90,000 employees and 2000 offices globally.

We have retained SGS to review and audit factory compliance to detailed production requirements as set out by Global Mark in conjunction with requirements of AS/NZS 2208:1996.

Companies globally rely on SGS for independent third-party inspections, testing and auditing solutions to ensure products, services and processes comply with the latest quality standards.

The combined efforts of a world leading production facility, Global Mark conformance and independent auditing by SGS ensure we supply industry leading quality.





The world's leading glass treatment now available & applied at GO



REPELS WATER



WARRANTY

Ultimate protection

Optically clear, UV stable, chemical resistant, water and oil repellent

Reduces maintenance costs

EnduroShield keeps glass visibly cleaner for longer and reduces the frequency between cleans

Highly durable

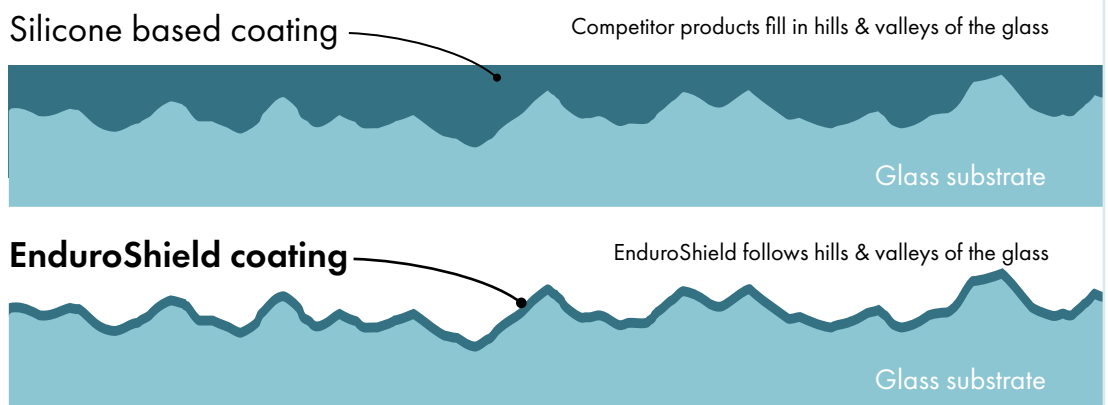
Permanently bonds to the glass and comes with a true 10 year performance warranty*

Suits all glass ranges

From balustrading to pool fencing, high rise and domestic glazing, shower screens and insulated glass units, EnduroShield is the smart choice for glass



A permanent* coating that is both water and oil repellent



Silicone based sealers sit on top of the glass surface and can quickly wear off, leaving the surface unprotected. EnduroShield follows the hills and valleys of the glass, forming a strong, permanent* bond that does not flake or peel.

Testing and certification

*EnduroShield's performance has been independently tested by one of the leading global testing and certification houses, TÜV Rheinland in Germany for durability, easy-clean functionality, safety and quality. Testing was carried out to simulate a lifetime of 10 years on glass for both interior and exterior use, and EnduroShield passed all test.



- Easy to clean
- Durability tested

*Contact us for warranty info and terms and conditions



How to place your EnduroShield order

We now offer an EnduroShield coating service in-house, applied by fully accredited and specially trained staff

Purchase our EnduroShield coating service as an optional extra on your next order!

This service can be purchased for job lot orders from all glass ranges from GO, including project orders.

Service only available at Virginia, Gold Coast, Newcastle & Perth depots. Availability at other depots subject to notice. Enduroshield service is not available on Trilogy or Linea ranges.

Step 1

Place order for glass as normal

Step 2

Specify EnduroShield coating required

We have a **FREE excel calculator** which provides instant pricing. [Contact us for your copy](#)

Step 3

We will provide you with a sales order confirmation of pricing with EnduroShield coating

Step 4

We will apply EnduroShield coating on both sides of glass in your order. Once coating has cured, glass will be ready for pick-up, delivery or freight as required





BIANCO

We ensure the highest quality finish on our most popular bright polished shower fittings

Brass is carefully chromed to ensure a perfect bright finish

Stainless steel surfaces are highly polished to a pristine mirror finish

Aluminium surfaces are bright polished to an immaculate finish



Glass to glass hinge
+ HEAVY DUTY HINGE OPTION



Wall to glass hinge
+ HEAVY DUTY HINGE OPTION



Offset wall to glass hinge



3 way "T" hinge



135° glass to glass hinge



Wall bracket



Offset wall bracket



Round wall bracket



Small glass brace



Large glass brace



Round slimline knob



Square L knob



Square recessed knob



Round notched knob



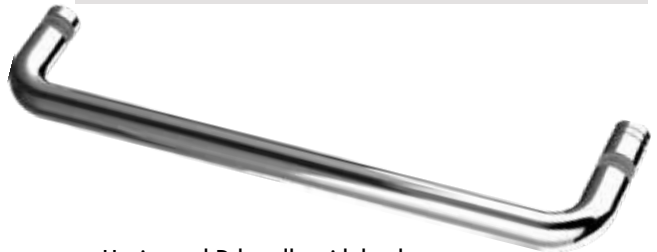
Round recessed knob



Square D handle



D handle with knob



Horizontal D handle with knob

**MECHANICALLY FIXED
brackets**



A full range of mechanically fixed brackets
See pages 32-33 for full range and specifications



Small adjustable support arm



Door stop



Door bump stop



MULTIARM horizontal support arm with various configurations



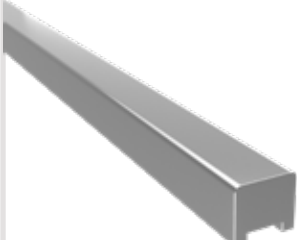
Square horizontal support arm



Round horizontal support arm



Slimline aluminium water bar



Rectangle aluminium water bar



Vertical support arm



U channels



Zürich

C H R O M E

This range integrates the latest manufacturing techniques to provide the highest quality products at the absolute best wholesale prices. Innovative manufacturing techniques provide the highest quality chrome finish at amazing low prices.



Glass to glass hinge



Wall to glass hinge



Glass to glass hinge
SUITS 6MM & 8MM GLASS



Wall to glass hinge
SUITS 6MM & 8MM GLASS



Offset wall to glass hinge



135° glass to glass hinge



90° glass to glass hinge



Round notched knob



Round slimline knob



Square notched knob



250mm handle



180mm handle



Zürich

PEARL SATIN CHROME

The pearl satin finish is an increasing trend in bathroom design with its reduced light reflectivity and more subtle tones



Glass to glass hinge



Wall to glass hinge



Offset wall to glass hinge



135° glass to glass hinge



90° glass to glass hinge



Round slimline knob



Round notched knob



Square notched knob



Door stop



Small adjustable support arm



250mm handle



180mm handle



Wall bracket



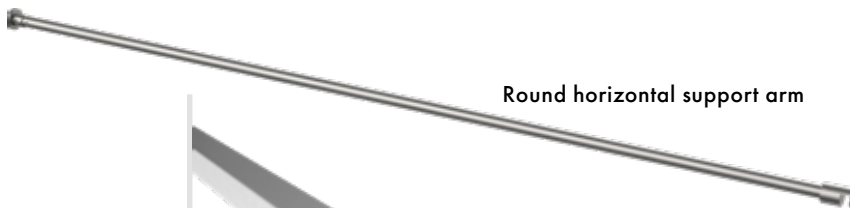
Offset wall bracket



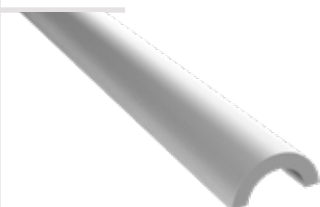
Small glass brace



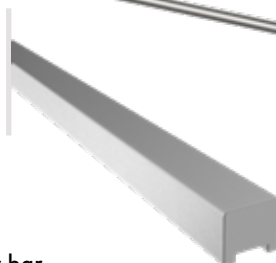
Large glass brace



Round horizontal support arm



Slimline water bar



Rectangle aluminium water bar



U channels



NERO

SOLID BRASS
MATT BLACK HARDWARE

Our sophisticated coating process provides the highest quality matt black finish



Glass to glass hinge
+ HEAVY DUTY HINGE OPTION



Wall to glass hinge
+ HEAVY DUTY HINGE OPTION



90° glass to glass hinge



Offset wall to glass hinge



3 way "T" hinge



135° glass to glass hinge



Wall bracket



Offset wall bracket



Round wall bracket



Small glass brace



Large glass brace



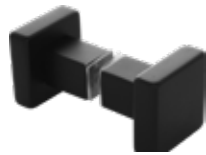
ATTENTION TO DETAIL

**We understand the importance
of quality.**

The Nero matt black surface has been salt spray tested by SGS Testing Services to 120 hours to ensure surface coating integrity.



Square L knob



Square recessed knob



Round notched knob



Round recessed knob



Round slimline knob



Multiarm – horizontal support arm with various configurations



Square horizontal support arm



Small adjustable support arm



Slimline aluminium water bar



Rectangle aluminium water bar



Square D handle



U channels

MECHANICALLY FIXED brackets



A full range of mechanically fixed brackets
See pages 32-33 for full range and specifications



ORO

Luxurious brushed brass/gold shower hardware offers an outstanding feature to any bathroom

With an increasing trend of incorporating earthy tones in bathroom renovations, the Oro range is an ideal design solution



Glass to glass hinge



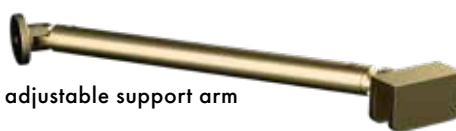
Offset wall to glass hinge



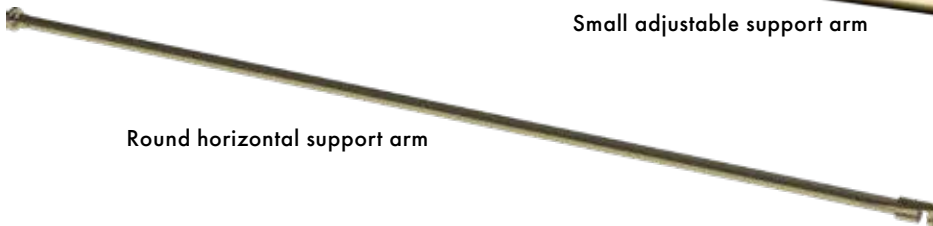
Wall hinge



135 degree hinge



Small adjustable support arm



Round horizontal support arm



U channels



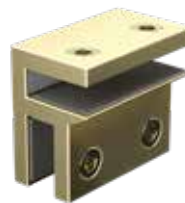
Wall bracket



Offset wall bracket



Small glass brace



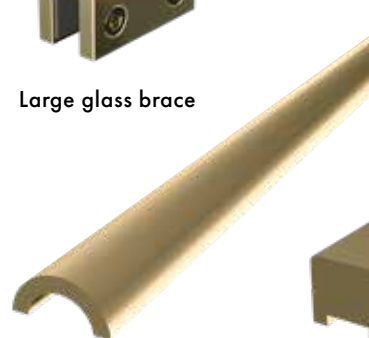
Large glass brace



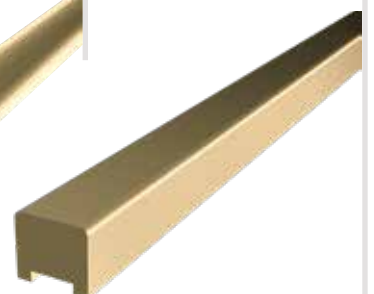
Round slimline knob



Offset wall mechanically fixed bracket



Slimline aluminium water bar



Rectangle aluminium water bar





SNO

Understated and contemporary – matt white is the ultimate modernist finish

With an increasing appeal to pare back and simplify, matt white is the new go to shade



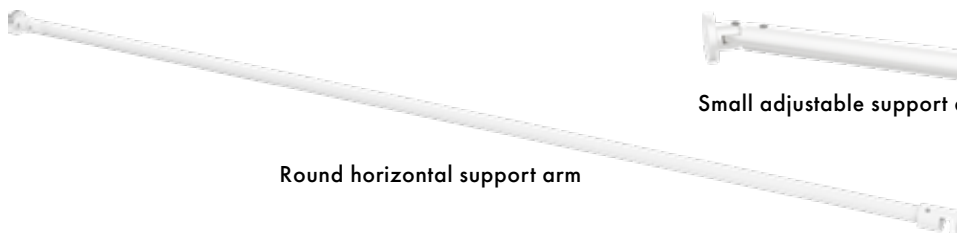
Glass to glass hinge



Offset wall to glass hinge



Wall hinge



Round horizontal support arm



Small adjustable support arm



U channels



Wall bracket



Offset wall bracket



Small glass brace



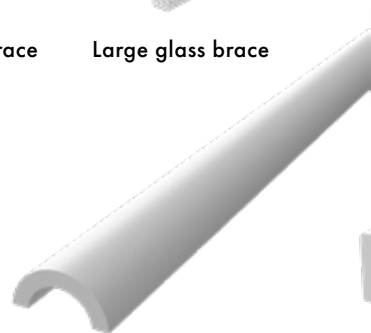
Large glass brace



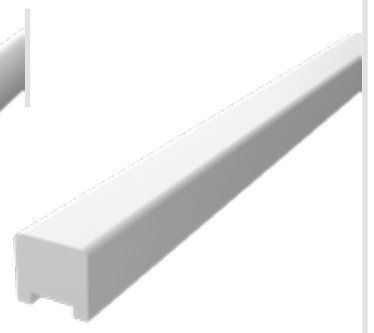
Round slimline knob



Offset wall mechanically fixed bracket



Slimline aluminium water bar



Rectangle aluminium water bar



GIO

Elegant, modern and earthy

A stylish twist on the matt black trend – gunmetal grey is the perfect in-between finish



Glass to glass hinge



Offset wall to glass hinge



Wall hinge



135 degree hinge



Round horizontal support arm



Small adjustable support arm



Wall bracket



Offset wall bracket



Small glass brace



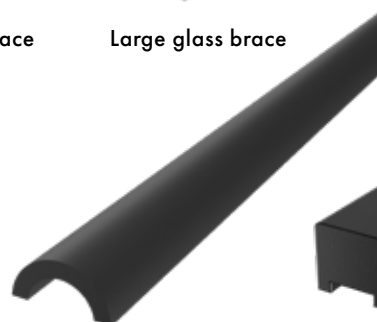
Large glass brace



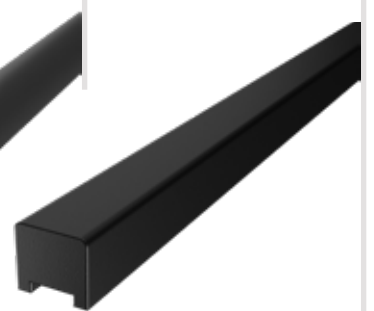
Round slimline knob



Offset wall mechanically fixed bracket



Slimline aluminium water bar



Rectangle aluminium water bar





NiKL

A contemporary take on the classic chrome finish – brushed nickel is the new modern

Metallic and earthy, brushed nickel suits any decor for a serene finish



Glass to glass hinge



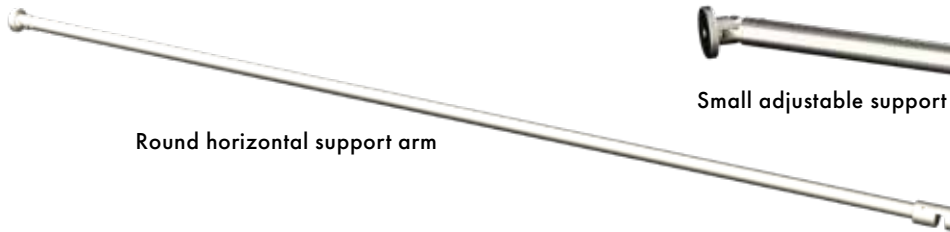
Offset wall to glass hinge



Wall hinge



135 degree hinge



Round horizontal support arm



Small adjustable support arm



U channels



Wall bracket



Offset wall bracket



Small glass brace



Large glass brace



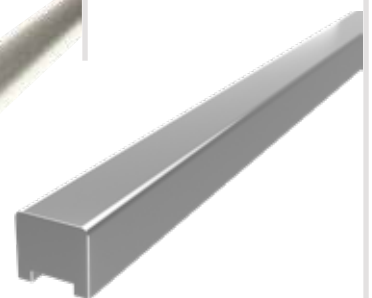
Round slimline knob



Offset wall mechanically fixed bracket



Slimline aluminium water bar



Rectangle aluminium water bar



HINGES

Suits 8mm & 10mm glass panels

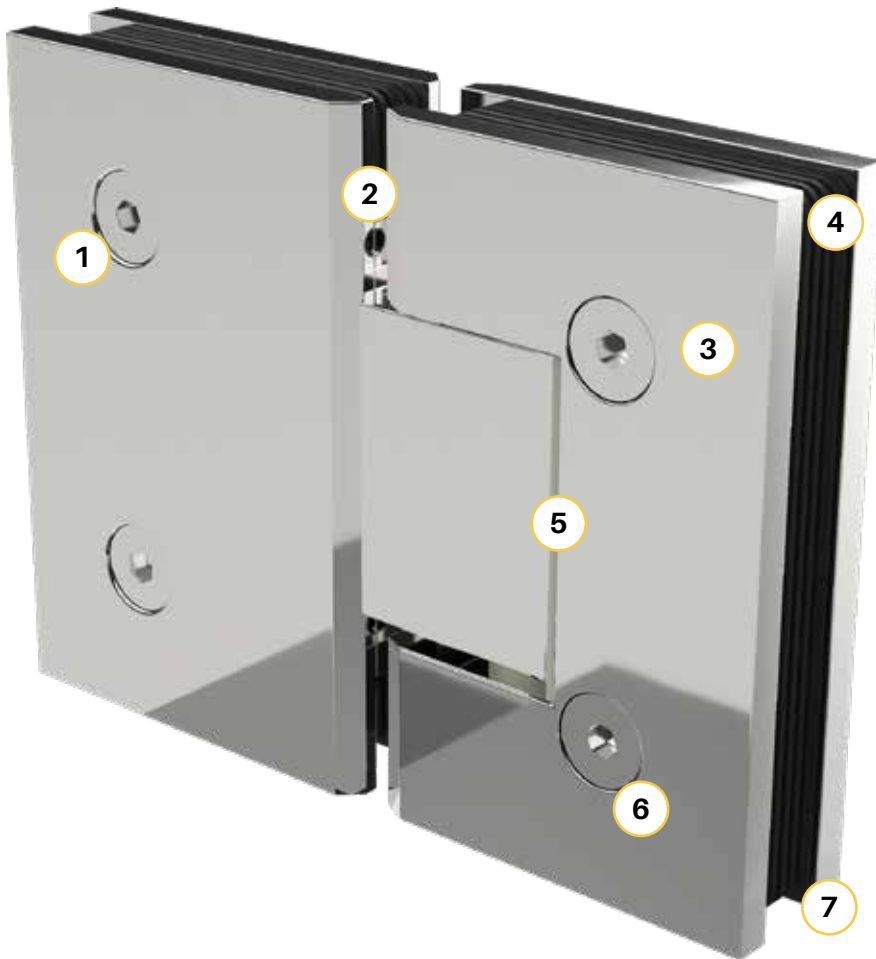
1 Optimised hinge plate
Hinge plate hole distance optimised for maximum clamping action

2 Grub screws secured with Loctite
For precaution, Loctite is used to secure threaded grub screws

3 Allen key head screws
For ease of installation and to minimise scratching caused by flat head screwdrivers, allen key head screws are used

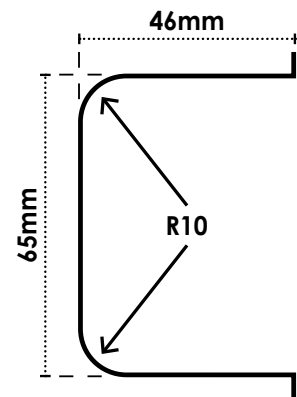


FREE plastic screw cap covers included

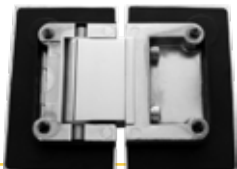


GLASS CUT OUT DETAIL

This cut out applies to all hinges excluding heavy duty hinges & 6mm Zurich hinges



4 Superior quality EPDM gaskets
Gaskets are preglued to the hinges and overlapping plates for easy installation



5 Scratch protectors
Neatly positioned protectors to prevent issues when hinge opens and closes



6 Knurled back screws
Advantage of superior locking action to prevent screws working loose



7 Smart clamping plate design
Recessed clamping plate ensures perfect fit to hinge body



Spring design
Durable tempered stainless steel spring



Sealed spring cavity
Innovative hinge design allows spring cavity to be completely sealed which prevents water penetration into cavity





PURITY HINGES

Purity Showerscreens® glass to glass hinge

SQUARE EDGE

Chrome plated, matt black, brushed brass/gold, matt white, gunmetal & brushed nickel finish

Order Code: PB-H-180 (Bianco – Chrome)

PN-H-180 (Nero – Black)

P-ORO-H-180 (Oro – Brushed Brass/Gold)

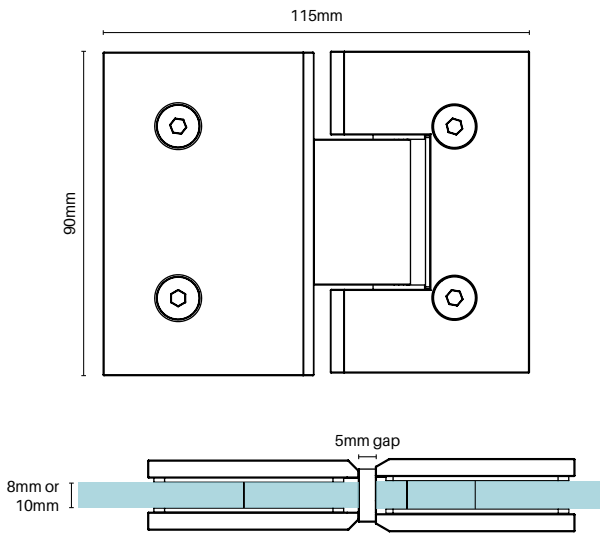
P-SNO-H-180 (Sno – White)

P-GIO-H-180 (Gio – Gunmetal)

P-NIKL-H-180 (Nikl – Brushed Nickel)

- Square finish edges
- Suitable for 8mm and 10mm glass
- "D" style glass cutouts
- Self closing from approximately 25°
- Dual action – opens inwards and outwards
- Manufactured in solid brass
- Allen key and gaskets included
- Specially designed strong clamping plate with pre-glued EPDM gasket

| | |
|-----------------|---------------|
| Max door weight | 35kg per pair |
| Max door width | 800mm |



ZÜRICH HINGES

Zürich glass to glass hinge

SQUARE EDGE

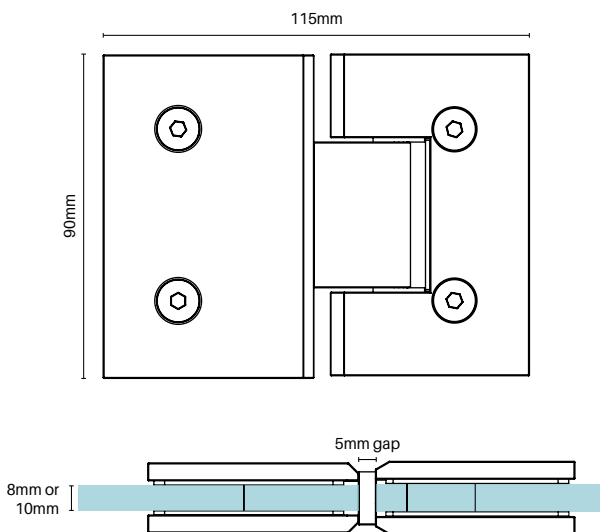
Chrome plated or pearl satin chrome finish

Order Code: ZUR-H-180 (Chrome)

ZUR-PEARL-H-180 (Pearl satin)

- Outstanding price point
- Square finish edges
- Suitable for 8mm and 10mm glass
- "D" style glass cutouts
- Self closing from approximately 25°
- Dual action – opens inwards and outwards
- Brass centre block with solid precision clamping plates
- Special tempered SS304 square spring coil. Provides consistent long lasting opening and closing function
- Allen key and gaskets included
- Specially designed strong clamping plate with pre-glued EPDM gasket

| | |
|-----------------|---------------|
| Max door weight | 35kg per pair |
| Max door width | 800mm |



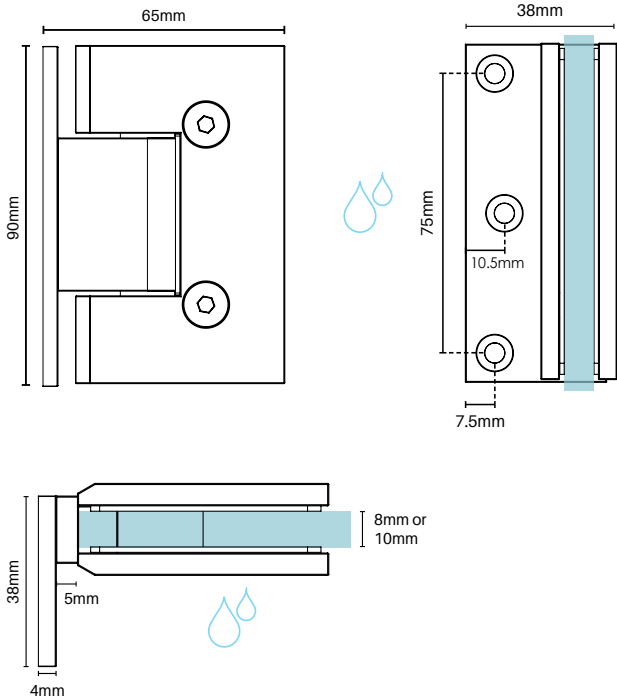
PEARL SATIN



CHROME



PURITY HINGES



Purity Showerscreens® offset wall to glass hinge

SQUARE EDGE

Chrome plated, matt black, brushed brass/gold, matt white, gunmetal & brushed nickel finish

Order Code: PB-H-OP (Bianco – Chrome)

PN-H-OP (Nero – Black)

P-ORO-H-OP (Oro – Brushed Brass/Gold)

P-SNO-H-OP (Sno – White)

P-GIO-H-OP (Gio – Gunmetal)

P-NIKL-H-OP (Nikl – Brushed Nickel)

- Offset wall plate with 3x fixing holes – Square finish edges
- Suitable for 8mm and 10mm glass
- "D" style glass cutouts
- Self closing from approximately 25°
- Dual action – opens inwards and outwards
- Manufactured in solid brass
- 3x fixing screws, allen key and gaskets included
- Specially designed strong clamping plate with pre-glued EPDM gasket

| | |
|-----------------|---------------|
| Max door weight | 35kg per pair |
|-----------------|---------------|

| | |
|----------------|-------|
| Max door width | 800mm |
|----------------|-------|



BIANCO

NERO

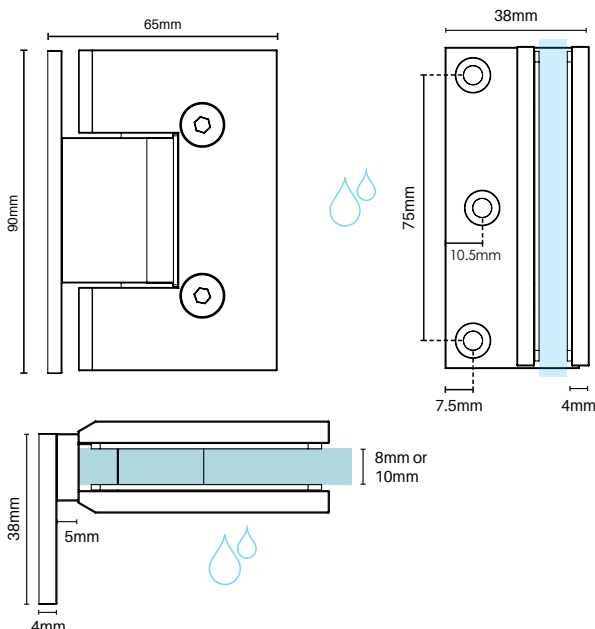
ORO

SNO

GIO

NIKL

ZÜRICH HINGES



Zürich offset wall to glass hinge

SQUARE EDGE

Chrome plated or pearl satin chrome finish

Order Code: ZUR-H-OP (Chrome)

ZUR-PEARL-H-OP (Pearl satin)

- Outstanding price point
- Offset wall plate with 3x fixing holes – Square finish edges
- Suitable for 8mm and 10mm glass
- "D" style glass cutouts
- Self closing from approximately 25°
- Dual action – opens inwards and outwards
- Brass centre block & wall plate with solid precision clamping plates
- Special tempered SS304 square spring coil. Provides consistent long lasting opening and closing function
- 3x fixing screws, allen key and gaskets included
- Specially designed strong clamping plate with pre-glued EPDM gasket

| | |
|-----------------|---------------|
| Max door weight | 35kg per pair |
|-----------------|---------------|

| | |
|----------------|-------|
| Max door width | 800mm |
|----------------|-------|

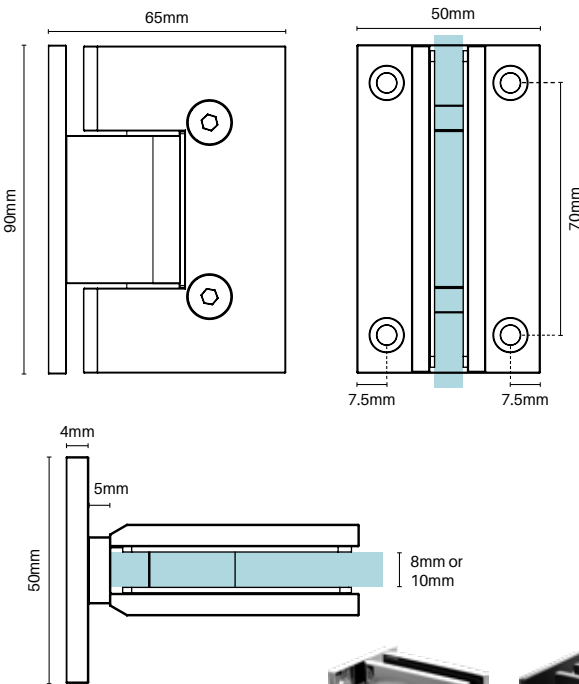
PEARL SATIN



CHROME



PURITY HINGES



Purity Showerscreens® wall to glass hinge

SQUARE EDGE

Chrome plated, matt black, brushed brass/gold, matt white, gunmetal & brushed nickel finish

Order Code: **PB-H-WP** (Bianco – Chrome)

PN-H-WP (Nero – Black)

P-ORO-H-WP (Oro Brushed Brass/Gold)

P-SNO-H-WP (Sno – White)

P-GIO-H-WP (Gio – Gunmetal)

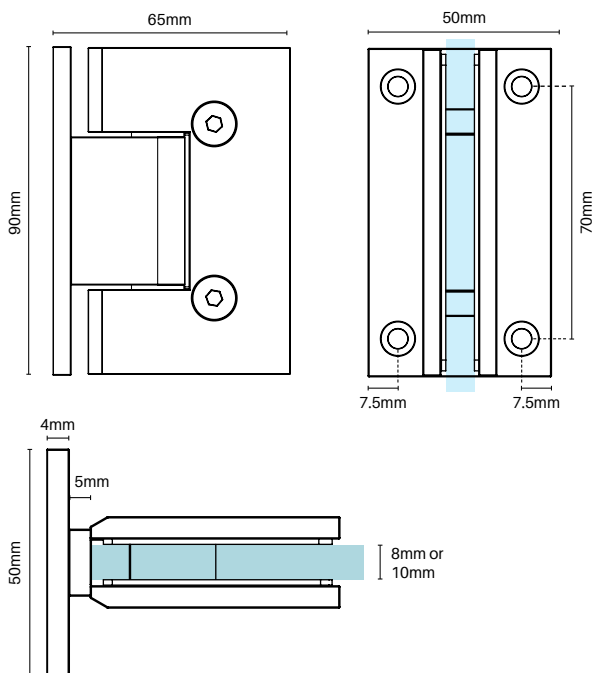
P-NIKL-H-WP (Nikl – Brushed Nickel)

- Wall plate with 4x fixing holes - Square finish edges
- Suitable for 8mm and 10mm glass
- "D" style glass cutouts
- Self closing from approximately 25°
- Dual action - opens inwards and outwards
- Manufactured in solid brass
- 4x fixing screws, allen key and gaskets included
- Specially designed strong clamping plate with pre-glued EPDM gasket

| | |
|------------------------|---------------|
| Max door weight | 35kg per pair |
| Max door width | 800mm |



ZÜRICH HINGES



Zürich wall to glass hinge

SQUARE EDGE

Chrome plated or pearl satin chrome finish

Order Code: **ZUR-H-WP** (Chrome)

ZUR-PEARL-H-WP (Pearl satin)

- Outstanding price point
- Wall plate with 4x fixing holes - Square finish edges
- Suitable for 8mm and 10mm glass
- "D" style glass cutouts
- Self closing from approximately 25°
- Dual action - opens inwards and outwards
- Brass centre block & wall plate with solid precision clamping plates
- Special tempered SS304 square spring coil. Provides consistent long lasting opening and closing function
- 4x fixing screws, allen key and gaskets included
- Specially designed strong clamping plate with pre-glued EPDM gasket

| | |
|------------------------|---------------|
| Max door weight | 35kg per pair |
| Max door width | 800mm |

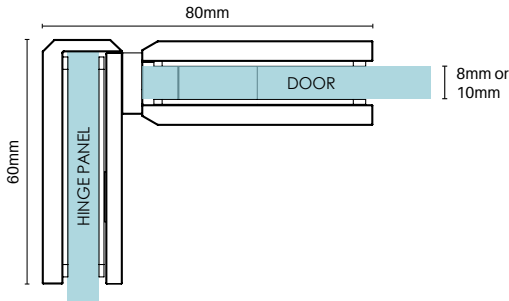
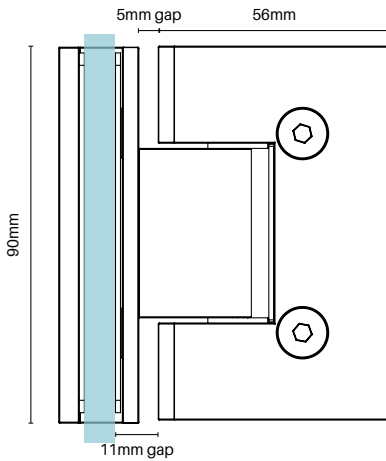
PEARL SATIN



CHROME



PURITY HINGES



Purity Showerscreens® 90° glass to glass hinge

SQUARE EDGE

Matt black finish

Order Code: PN-H-90 (Nero – Black)

- Square finish edges
- Suitable for 8mm and 10mm glass
- "D" style glass cutouts
- Self closing from approximately 25°
- Dual action - opens inwards and outwards
- Manufactured in solid brass
- Specially designed strong clamping plate with pre-glued EPDM gasket
- Enables hinging of door at 90°

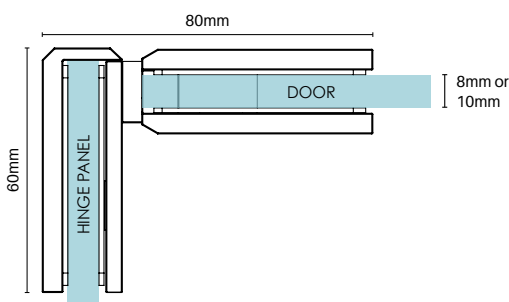
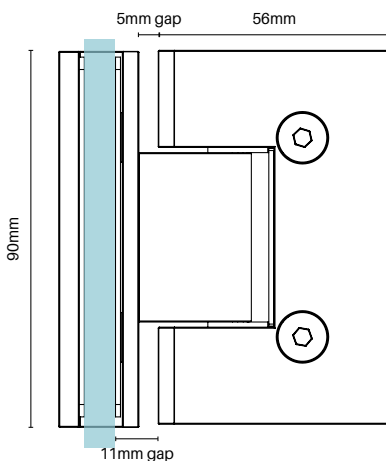
Max door weight 35kg per pair

Max door width 800mm



NERO

ZÜRICH HINGES



Zürich 90° glass to glass hinge

SQUARE EDGE

Chrome plated or pearl satin chrome finish

Order Code: ZUR-H-90 (Chrome)

ZUR-PEARL-H-90 (Pearl satin)

- Square finish edges
- Suitable for 8mm and 10mm glass
- "D" style glass cutouts
- Self closing from approximately 25°
- Dual action - opens inwards and outwards
- Brass centre block with solid precision clamping plates
- Special tempered SS304 square spring coil. Provides consistent long lasting opening and closing function
- Specially designed strong clamping plate with pre-glued EPDM gasket

Max door weight 35kg per pair

Max door width 800mm

PEARL SATIN



CHROME



PURITY HINGES

Purity Showerscreens® 135° glass to glass hinge

SQUARE EDGE

Chrome plated, matt black, brushed brass/gold, gunmetal & brushed nickel finish

Order Code: PB-H-135 (Bianco – Chrome)

PN-H-135 (Nero – Black)

P-ORO-H-135 (Oro – Brushed Brass/Gold)

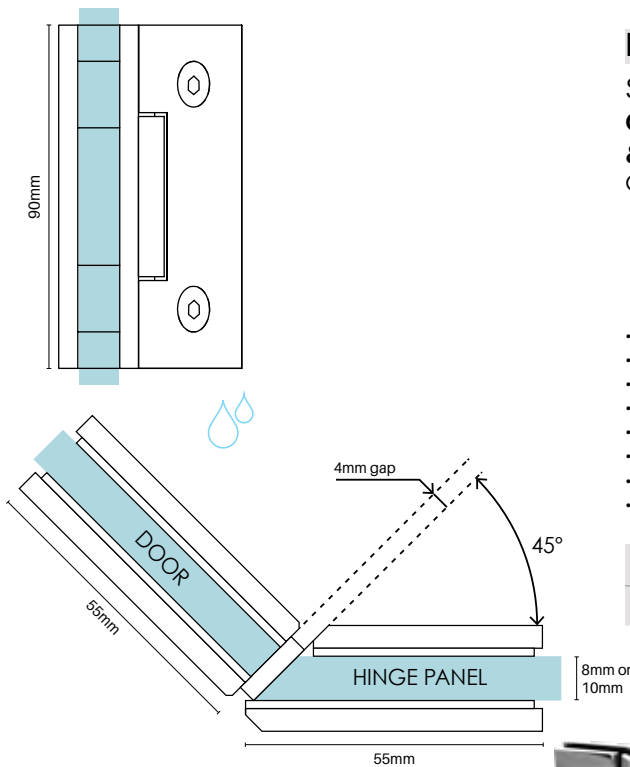
P-GIO-H-135 (Gio – Gunmetal)

P-NIKL-H-135 (Nikl – Brushed Nickel)

- Square finish edges
- Suitable for 8mm and 10mm glass
- "D" style glass cutouts
- Self closing from approximately 25°
- Dual action - opens inwards and outwards
- Manufactured in solid brass
- Hinge panel glass requires 45° polished mitre edge on 1 x long edge
- Specially designed strong clamping plate with pre-glued EPDM gaskets

Max door weight 35kg per pair

Max door width 800mm



ZÜRICH HINGES

Zürich 135° glass to glass hinge

SQUARE EDGE

Chrome plated or pearl satin chrome finish

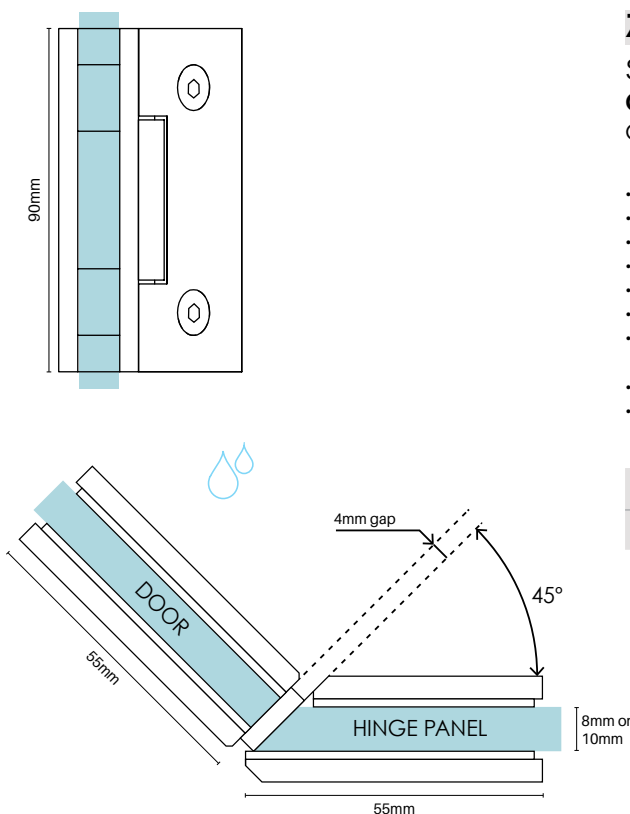
Order Code: ZUR-H-135 (Chrome)

ZUR-PEARL-H-135 (Pearl satin)

- Square finish edges
- Suitable for 8mm and 10mm glass
- "D" style glass cutouts
- Self closing from approximately 25°
- Dual action - opens inwards and outwards
- Brass centre block with solid precision clamping plates
- Special tempered SS304 square spring coil. Provides consistent long lasting opening and closing function
- Hinge panel glass requires 45° polished mitre edge on 1 x long edge
- Specially designed strong clamping plate with pre-glued EPDM gasket

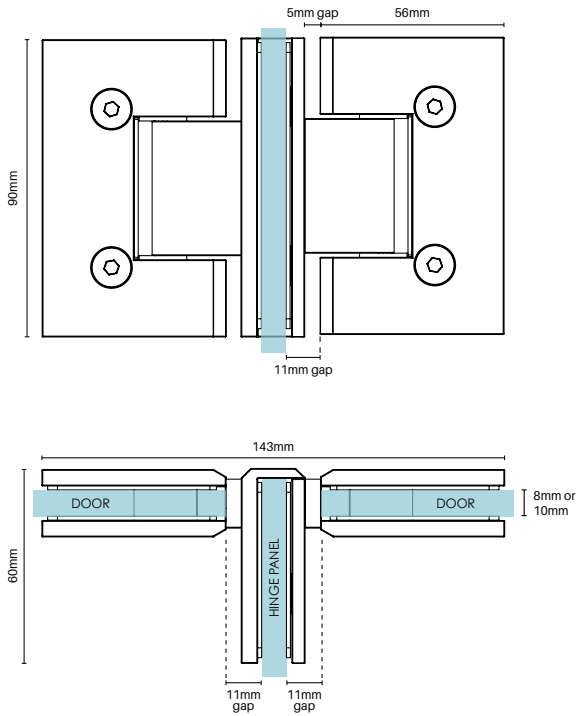
Max door weight 35kg per pair

Max door width 800mm





PURITY HINGES



Purity Showerscreens® 3 way glass to glass hinge

SQUARE EDGE

Chrome plated or matt black finish

Order Code: PB-H-3W (Bianco – Chrome)

PN-H-3W (Nero – Black)

- Allows for hinging of 2 x doors from 1 x hinge panel
- Square finish edges
- Suitable for 8mm & 10mm glass
- "D" style glass cutouts
- Dual action - opens inwards & outwards
- Manufactured in solid brass
- Clamping plates pre-glued with EPDM gaskets for easy fitting

Max door weight 35kg per pair

Max door width 800mm



BIANCO



NERO





PURITY HEAVY DUTY HINGES

- Larger & thicker clamping plates & internal SS304 spring
- Removeable pins provide optional use of 'mickey mouse' glass cut outs



Purity Showerscreens® glass to glass hinge

HEAVY DUTY / SQUARE EDGE

Chrome plated or matt black

Order Code: PB-H-180-HD (Bianco – Chrome)

PN-H-180-HD (Nero – Black)

- Heavy duty hinges for larger doors
- Square finish edges
- Suitable for 8mm, 10 & 12mm glass
- "D" style glass cutouts OR 'mickey mouse' cutouts
- Includes screw-in pins for 'mickey mouse' – simply unscrew & remove for "D" cut outs
- Dual action – opens inwards & outwards
- Manufactured in solid brass
- Clamping plates pre-glued with EPDM gaskets for easy fitting

Max door weight 50kg 2x hinges

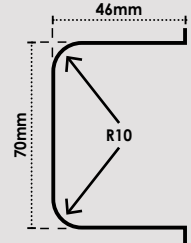
65kg 3x hinges

Max door width 915mm

GLASS CUT OUT DETAIL

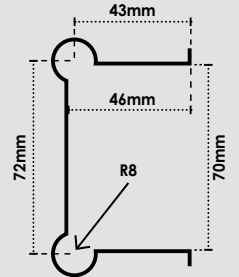
Cut out applies to heavy duty hinge styles

"D" CUTOUT



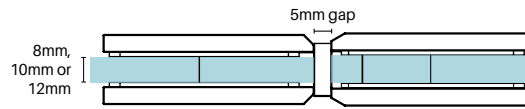
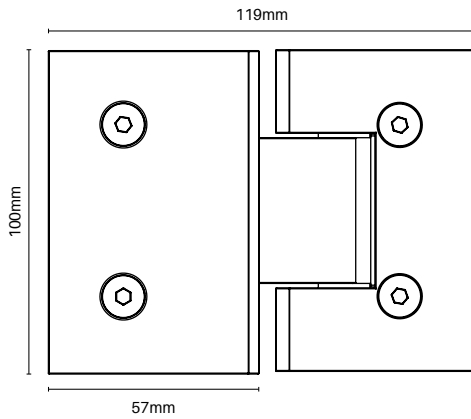
– OR –

MICKEY MOUSE CUTOUT



Hinge cannot be used with pre-made Purity stocked glass doors – cut out for glass is different for heavy duty hinges

HEAVY DUTY BIANCO / NERO



Purity Showerscreens® wall to glass hinge

HEAVY DUTY / SQUARE EDGE

Chrome plated or matt black finish

Order Code: PB-H-WP-HD (Bianco – Chrome)

PN-H-WP-HD (Nero – Black)

- Heavy duty wall hinges for larger doors
- 4 x fixing holes
- Square finish edges
- Suitable for 8mm, 10 & 12mm glass
- "D" style glass cutouts OR "mickey mouse" cutouts
- Includes screw-in rods for "mickey mouse" – simply unscrew & remove for "D" cut outs
- Dual action – opens inwards & outwards
- Manufactured in solid brass

Max door weight 50kg 2x hinges

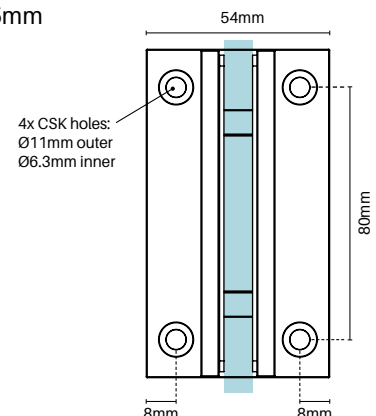
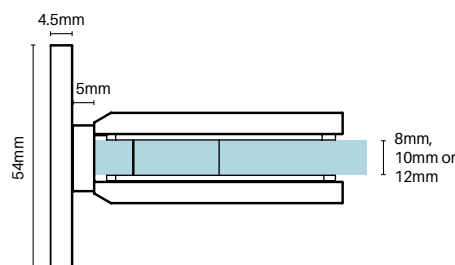
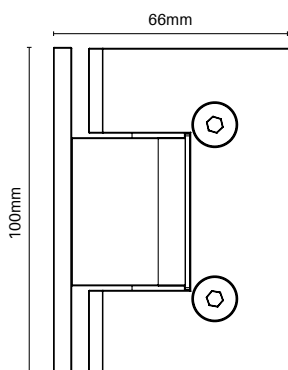
65kg 3x hinges

Max door width 915mm

SEE CUT OUT DETAILS FOR HEAVY DUTY HINGES ABOVE

Hinge cannot be used with pre-made Purity stocked glass doors – cut out for glass is different for heavy duty hinges

HEAVY DUTY BIANCO / NERO





ZÜRICH HINGES SUITS 6MM GLASS



Zürich 6mm glass to glass hinge

SQUARE EDGE

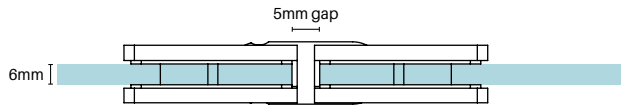
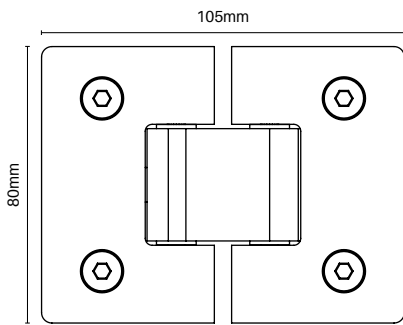
Chrome plated or matt black finish

Order Code: ZUR-H-180-6MM (Chrome)
ZUR-H-180-6MM-BLK (Black)

- Square finish edges with radius corners
- Suitable for 6mm & 8mm glass
- Specially designed strong clamping plates with pre-glued EPDM gaskets
- Self closing from approximately 25°
- Dual action - opens inwards & outwards
- Allen key & screw cover caps included

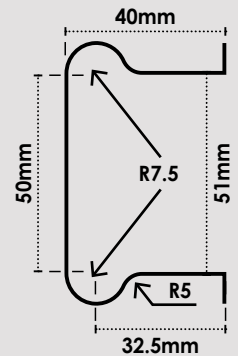
Max door weight 30kg per pair

Max door width 800mm



GLASS CUT OUT DETAIL

This cut out applies to Zurich 6mm hinges



Zürich 6mm wall to glass hinge

SQUARE EDGE

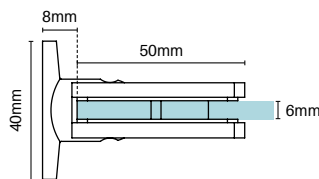
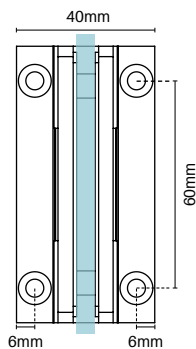
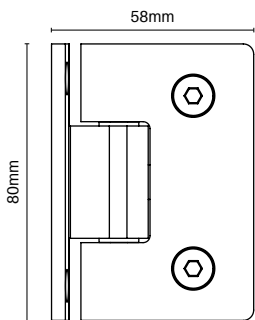
Chrome plated or matt black finish

Order Code: ZUR-H-WP-6MM (Chrome)
ZUR-H-WP-6MM-BLK (Black)

- Square finish edges with radius corners
- Suitable for 6mm & 8mm glass
- Specially designed strong clamping plates with pre-glued EPDM gaskets
- Self closing from approximately 25°
- Dual action - opens inwards & outwards
- 4x SS304 fixing screws with wall plugs, allen key & screw cover caps included

Max door weight 30kg per pair

Max door width 800mm





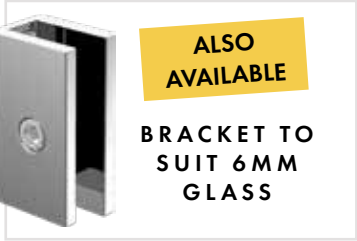
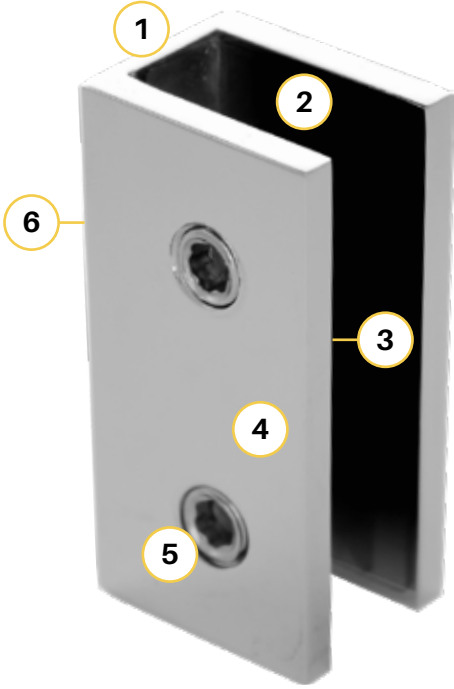
WALL BRACKETS

Suits 8mm & 10mm glass panels

1
2mm rear wall thickness
Thin back wall to minimise gap between wall and glass panel

2
Interior packers
Moulded plastic packer fits to interior back and side walls to prevent glass from touching metal

3
Countersunk internal back hole
Flush screw fixing with countersunk hole
(1x wall screw with plug included in box)



4
Superior manufactured finish
Superior blemish free
Available in a range of finishes

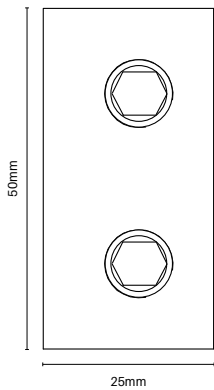
5
Allen key head screws
2x hex head screws for secure friction fitting to glass panel. Internal screw heads are flat with plastic capping

6
Clear PVC back packer
Thin clear PVC affixed to back of bracket to minimise issues when installing to a tiled surface





PURITY GLASS BRACKETS



Purity Showerscreens® wall bracket

SQUARE EDGE

Chrome plated, matt black, brushed brass/gold, matt white, gunmetal, brushed nickel & pearl satin finish

Order Code: P-WB (Bianco – Chrome)

PN-WB (Nero – Black)

P-ORO-WB (Oro – Brushed Brass/Gold)

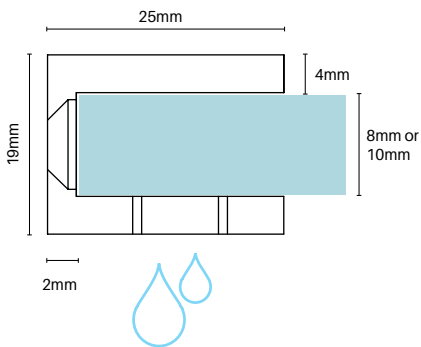
P-SNO-WB (Sno – White)

P-GIO-WB (Gio – Gunmetal)

P-NIKL-WB (Nikl – Brushed Nickel)

P-PEARL-WB (Pearl satin)

- Wall bracket – concealed central countersunk fixing
- Suitable for 8mm & 10mm glass
- 2x compression/friction screws – quick and flexible installation as no holes in glass required
- Slimline 2mm rear wall reduces silicone gap between wall and glass panel
- 1x fixing screw & wall plug provided



BIANCO

NERO

ORO

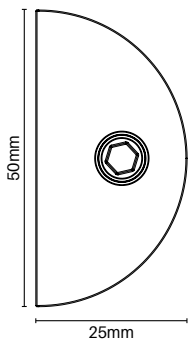
SNO

GIO

NIKL

PEARL SATIN

*Silicone must be used along glass edges when friction brackets used



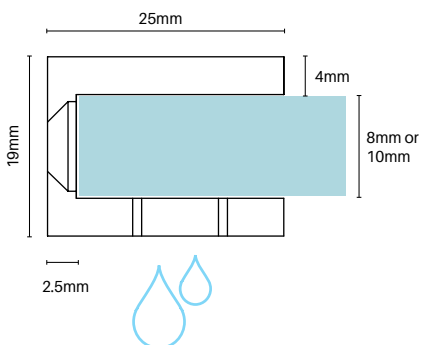
Purity Showerscreens® round wall bracket

Chrome plated or matt black finish

Order Code: P-WB-RND (Bianco – Chrome)

PN-WB-RND (Nero – Black)

- Stylish wall bracket with concealed countersunk fixing
- Slimline half round profile
- Suitable for 8mm and 10mm glass – no holes in glass required
- Slimline 2.5mm rear wall thickness reduces silicone gap
- 1x screw & wall plug provided



BIANCO

NERO

*Silicone must be used along glass edges when friction brackets used



PURITY GLASS BRACKETS

Purity Showerscreens® offset wall bracket

SQUARE EDGE

Chrome plated, matt black, brushed brass/gold, matt white, gunmetal, brushed nickel & pearl satin finish

Order Code: P-WB-O (Bianco – Chrome)

PN-WB-O (Nero – Black)

P-ORO-WB-O (Oro – Brushed Brass/Gold)

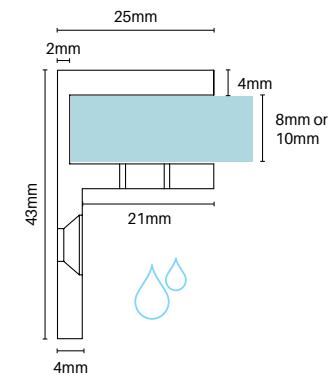
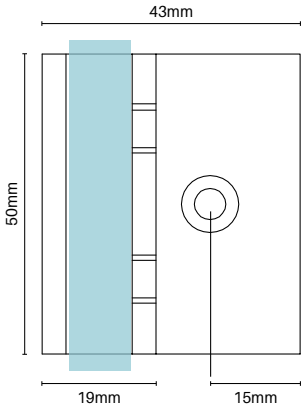
P-SNO-WB-O (Sno – White)

P-GIO-WB-O (Gio – Gunmetal)

P-NIKL-WB-O (Nikl – Brushed Nickel)

P-PEARL-WB-O (Pearl satin)

- Wall bracket - with offset leg
- Suitable for 8mm & 10mm glass
- 2x compression/friction screws - quick and flexible installation as no holes in glass required
- Offset leg is useful when affixing glass close to corner by positioning fixing screw away from wall edge
- 1x fixing screw & wall plug provided



*Silicone must be used along glass edges when friction brackets used



BIANCO

NERO

ORO

SNO

GIO

NIKL

PEARL SATIN

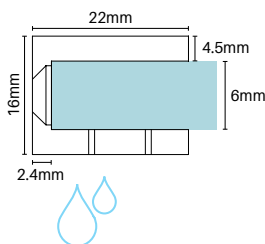
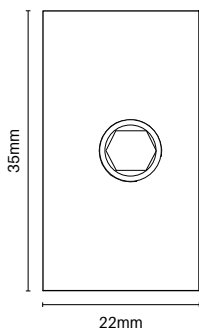
Purity Showerscreens®

6mm wall bracket

Chrome plated – Square edge

Order Code: P-WB-6MM (Bianco – Chrome)

- Wall bracket to suit 6mm thick toughened glass
- Single concealed countersunk fixing to wall
- 1 x compression/friction screw - quick and flexible install. No holes in glass required
- Slimline 2.4mm rear wall reduces silicone gap between wall and glass panel



*Silicone must be used along glass edges when friction brackets used



BIANCO



MECHANICALLY FIXED GLASS BRACKETS

Ideal for large shower panels

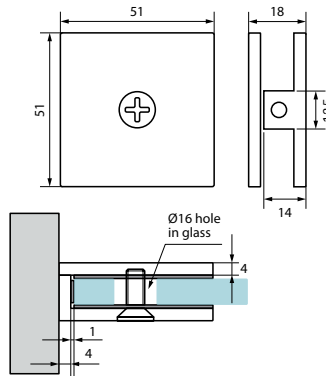


Purity square wall bracket

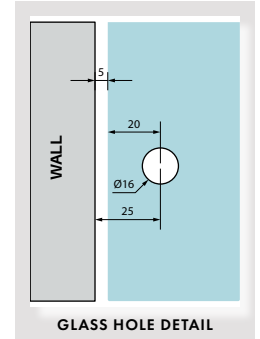
Chrome plated or matt black finish

Order Code: P-MECH-WB (Bianco – Chrome)
PN-MECH-WB (Nero – Black)

- Mechanical fixing of glass to wall
- Hidden single fixing to wall (SS304 wall fixing screw included)
- Suitable for 6mm, 8mm & 10mm glass



Glass may be made with cut out around rear wall 13.5mm plate to reduce gap between wall and glass panel

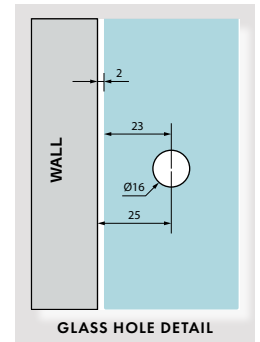
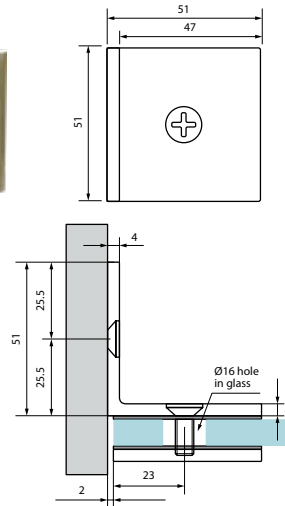


Purity square offset wall bracket

Chrome plated, matt black or brushed brass/gold finish

Order Code: P-MECH-WB-O (Bianco – Chrome)
PN-MECH-WB-O (Nero – Black)
P-ORO-MECH-WB-O (Oro – Brushed Brass/Gold)

- Mechanical fixing of glass to wall
- L plate offsets wall fixing (SS304 wall fixing screw included)
- Useful when fitting glass close to a corner
- Suitable for 6mm, 8mm & 10mm glass



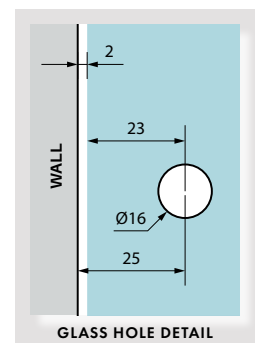
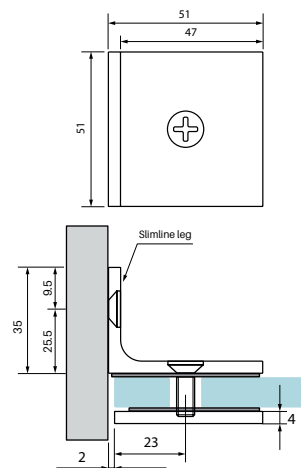
SLIMLINE LEG

Purity square slimline offset wall bracket

Chrome plated, matt black, matt white, gunmetal, brushed nickel & brushed brass/gold finish

Order Code: P-MECH-WB-SLO (Bianco – Chrome)
PN-MECH-WB-SLO (Nero – Black)
P-SNO-MECH-WB-SLO (Sno – White)
P-GIO-MECH-WB-SLO (Gio – Gunmetal)
P-NIKL-MECH-WB-SLO (Nikl – Brushed Nickel)
P-ORO-MECH-WB-SLO (Oro – Brushed Brass/Gold)
P-PEARL-MECH-WB-SLO (Pearl satin)

- Mechanical fixing of glass to wall
- Slimline L offset wall fixing (SS304 wall fix screw included)
- Slimline leg provides a neat, unobtrusive finish
- Useful when fitting glass close to a corner
- Suitable for 6mm, 8mm & 10mm glass



MECHANICALLY FIXED GLASS BRACKETS

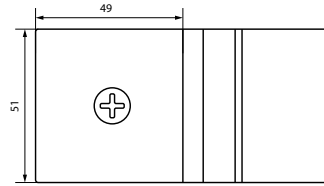
Ideal for large shower panels



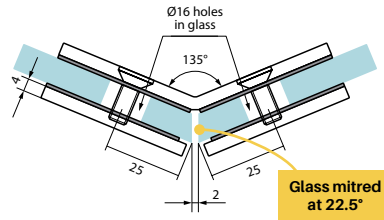
BIANCO



NERO



Glass configuration



Glass mitred at 22.5°

Purity square 135° bracket

Chrome plated or matt black finish

Order Code: P-MECH-GGB-135 (Bianco – Chrome)

PN-MECH-GGB-135 (Nero – Black)

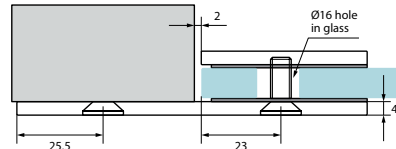
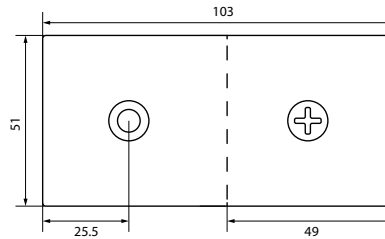
- Mechanical fixing of glass panels at 135°
- Glass must be mitred at 22.5°
- Suitable for 6mm, 8mm & 10mm glass



BIANCO



NERO



Purity square inline offset wall bracket

Chrome plated or matt black finish

Order Code: P-MECH-WB-IO (Bianco – Chrome)

PN-MECH-WB-IO (Nero – Black)

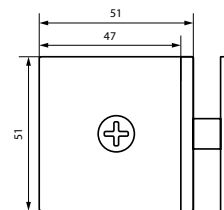
- Mechanical fixing of glass panels to inline wall configuration
- Easy fixing into wall (SS304 wall fixing screw included)
- Suitable for 6mm, 8mm & 10mm glass



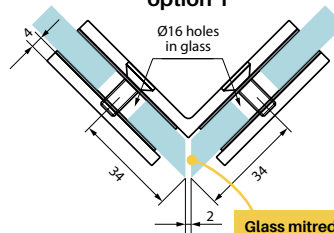
BIANCO



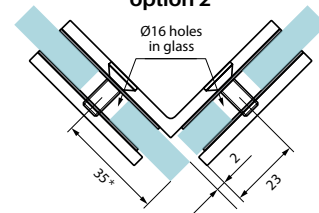
NERO



Glass configuration option 1



Glass configuration option 2



*This size is used when 8mm thick glass is selected

Purity square 90° bracket

Chrome plated or matt black finish

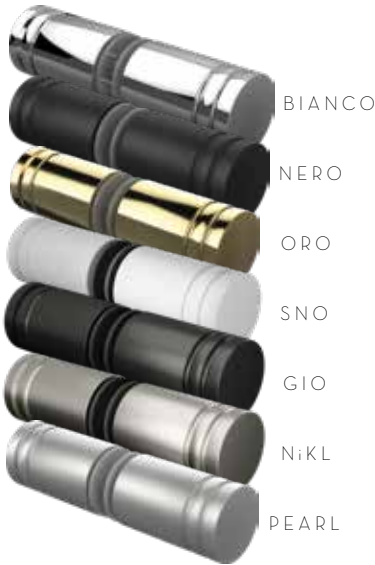
Order Code: P-MECH-GGB-90 (Bianco – Chrome)

PN-MECH-GGB-90 (Nero – Black)

- Mechanical fixing of glass panels at 90°
- Two glass configurations possible
- Suitable for 6mm, 8mm & 10mm glass



PURITY KNOBS



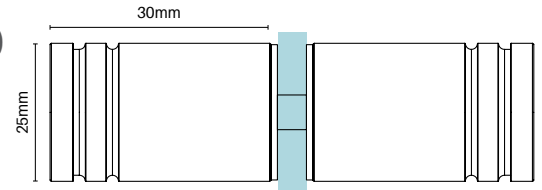
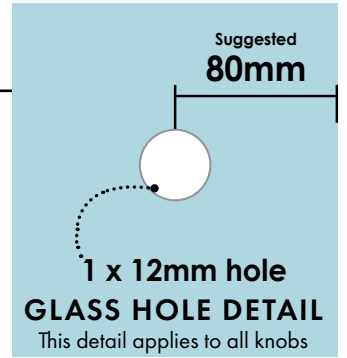
Purity Showerscreens®

Round circular knob

Chrome plated, matt black, brushed brass/gold, matt white, gunmetal & brushed nickel finishes

- Order Code: P-KRC (Bianco – Chrome)
 PN-KRC (Nero – Black)
 P-ORO-KRC (Oro – Brushed Brass/Gold)
 P-SNO-KRC (Sno – White)
 P-GIO-KRC (Gio – Gunmetal)
 P-NIKL-KRC (Nikl – Brushed Nickel)
 P-PEARL-KRC (Pearl satin)

- Solid round knob with two circular grooves
- Slimline Ø25mm double pull knob
- Suits 6mm, 8mm, 10mm and 12mm thick glass
- 30mm long per side



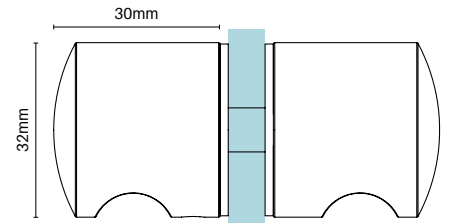
Purity Showerscreens®

Full round knob

Chrome plated or matt black finish

- Order Code: P-KRF (Bianco – Chrome)
 PN-KRF (Nero – Black)

- Sleek solid round knob with finger notch
- Double pull knob
- Suits 8mm, 10mm and 12mm thick glass



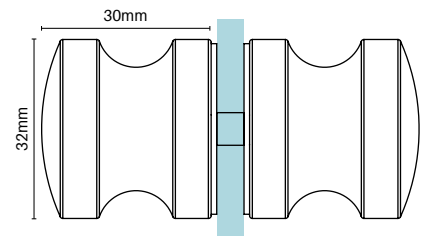
Purity Showerscreens®

Round recessed knob

Chrome plated or matt black finish

- Order Code: P-KRR (Bianco – Chrome)
 PN-KRR (Nero – Black)

- Easy gripping with full finger notch
- Double pull knob
- Suits 8mm, 10mm and 12mm thick glass



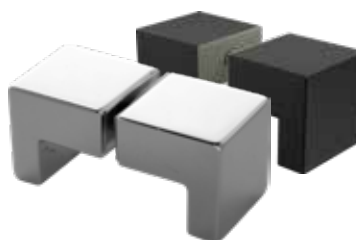
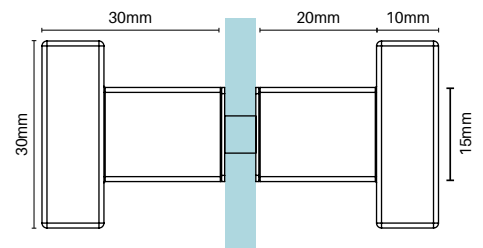
Purity Showerscreens®

Square recessed knob

Chrome plated or matt black finish

- Order Code: P-KSR (Bianco – Chrome)
 PN-KSR (Nero – Black)

- Easy gripping with full finger notch
- Double pull knob
- Suits 8mm, 10mm and 12mm thick glass



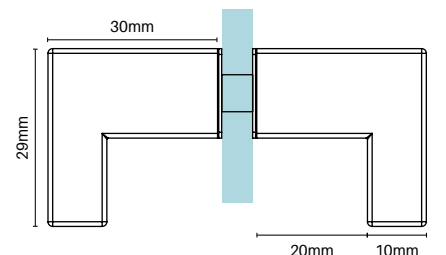
Purity Showerscreens®

Square L shape knob

Chrome plated or matt black finish

- Order Code: P-KSL (Bianco – Chrome)
 PN-KSL (Nero – Black)

- L shape profile
- Double pull knob
- Suits 8mm, 10mm and 12mm thick glass





ZÜRICH KNOBS



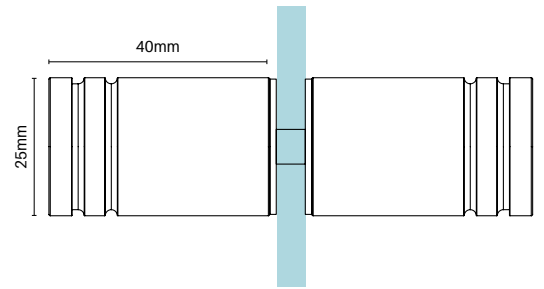
Zürich round circular knob

Chrome plated or pearl satin finish

Order Code: ZUR-KRC (Chrome)

ZUR-PEARL-KRC (Pearl satin)

- Slimline Ø25mm round knob with two circular grooves
- Double pull knob
- Suits 6mm, 8mm, 10mm and 12mm thick glass
- Polish or pearl satin chrome
- 40mm long per side
- Outstanding price point



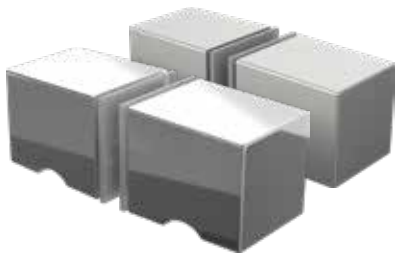
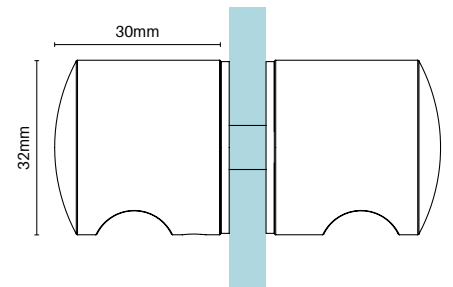
Zürich full round knob

Chrome plated or pearl satin finish

Order Code: ZUR-KRF (Chrome)

ZUR-PEARL-KRF (Pearl satin)

- Sleek round knob with finger notch
- Double pull knob
- Suits 8mm, 10mm and 12mm thick glass
- Polish or pearl satin chrome
- Outstanding price point



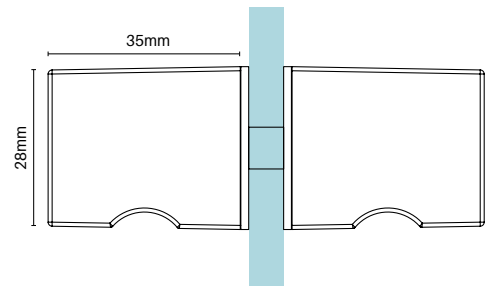
Zürich square recessed knob

Chrome plated or pearl satin finish

Order Code: ZUR-KSF (Chrome)

ZUR-PEARL-KSF (Pearl satin)

- Easy gripping with full finger notch
- Double pull knob
- Suits 8mm, 10mm and 12mm thick glass
- Polish or pearl satin chrome
- Outstanding price point



SOLID ALLOY KNOBS



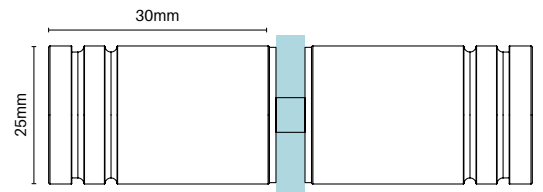
Purity Showerscreens®

Solid premium alloy round circular knob

Matt black

Order Code: PN-KRC-AA (Nero – Black)

- Round knob with two circular grooves
- Slimline Ø25mm double pull knob
- Suits 6mm, 8mm, 10mm and 12mm thick glass
- Premium alloy with precision CNC machining
- Superior corrosion resistance



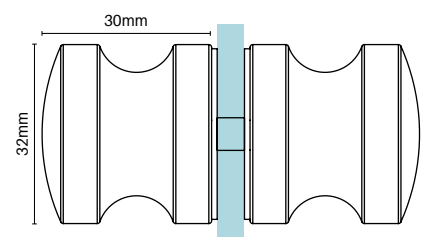
Purity Showerscreens®

Solid premium alloy round recessed knob

Matt black

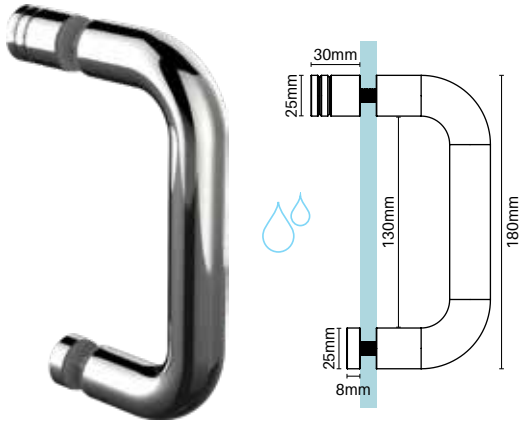
Order Code: PN-KRR-AA (Nero – Black)

- Easy gripping with full finger notch
- Double pull knob
- Suits 8mm, 10mm and 12mm thick glass
- Premium alloy with precision CNC machining
- Superior corrosion resistance





PURITY HANDLES

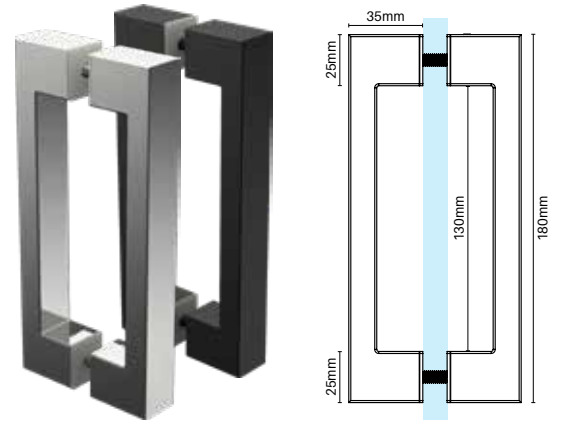
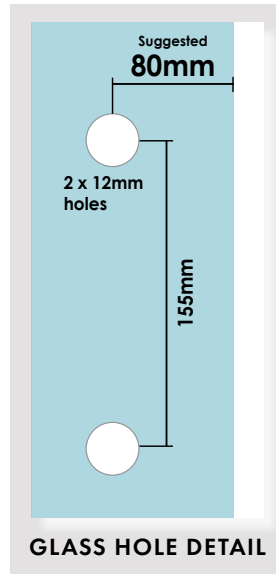


Purity Showerscreens® round D handle with internal knob

Polish SS304 – 180mm long

Order Code: P-HANDLE-180 (180mm long)

- Pull knob on inside of door panel with external D handle; Ø25mm
- Suits 8mm, 10mm and 12mm glass
- Manufactured in SS304; Polish finish
- Nylon spacers and gaskets included to prevent glass touching metal
- 180mm handle suits holes in modular Purity doors



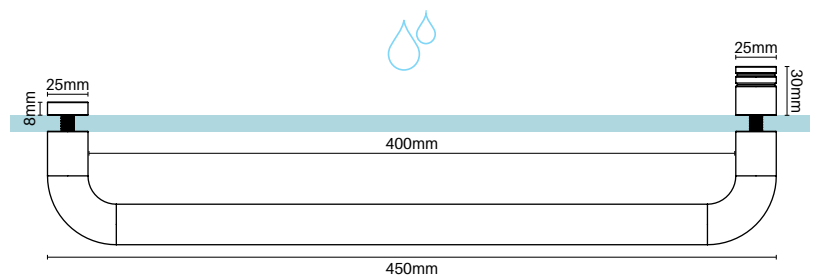
Purity Showerscreens® Square D handle

Polish SS304 or matt black finish

Order Code: P-HD (Bianco – Chrome)

PN-HD (Nero – Black)

- Back to back pull handle; suits 8mm, 10mm and 12mm glass
- Manufactured in SS304; Polish or matt black finish
- Nylon spacers and gaskets included to prevent glass touching metal
- Suits holes in modular purity doors

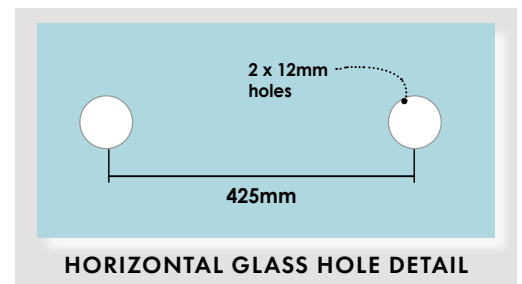


Purity Showerscreens® 450mm round D handle with internal knob

Polish SS304 – 450mm long

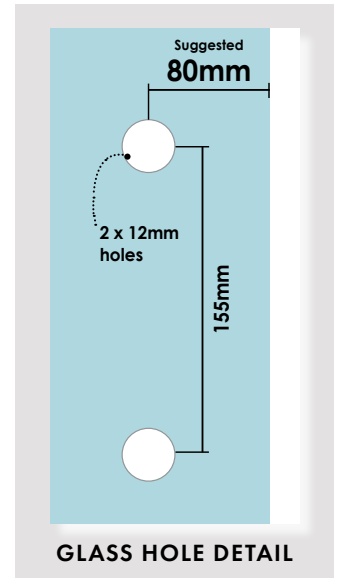
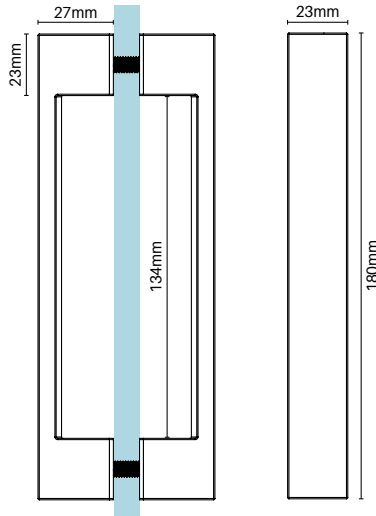
Order Code: P-HANDLE-450 (450mm long)

- Pull knob on inside of door panel with external D handle; Ø25mm
- Suits 8mm, 10mm and 12mm glass
- Manufactured in SS304; Polish finish
- Nylon spacers and gaskets included to prevent glass touching metal
- 450mm handle commonly installed horizontally with external D handle to be used as a towel rail – suits 425mm hole to hole centres
- May also be installed vertically (with holes in glass as required)
- Does not suit installation with modular glass door panels. Custom made glass is required





ZÜRICH HANDLES



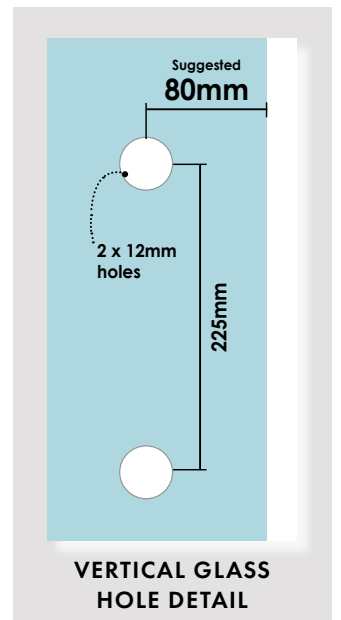
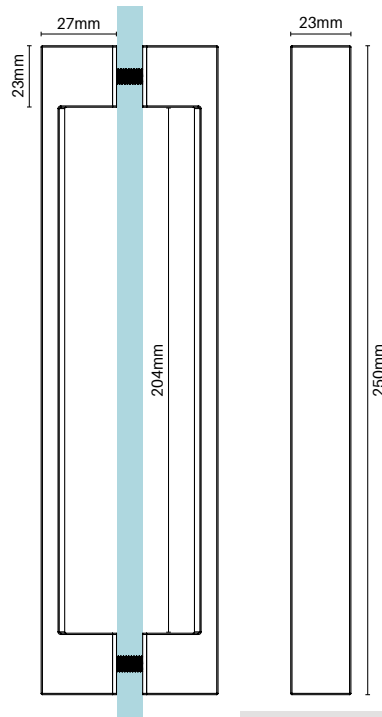
Zürich Square D handle – 180mm long

Chrome plated or pearl satin finish

Order Code: ZUR-HD (Chrome)

ZUR-PEARL-HD (Pearl satin)

- Latest European design with slimline square profile with inner rounded handle for easy gripping
- Back to back pull handle; suits 8mm, 10mm and 12mm glass
- Polish or pearl satin chrome finish
- Nylon spacers and gaskets included to prevent glass touching metal
- Suits holes in modular Purity doors



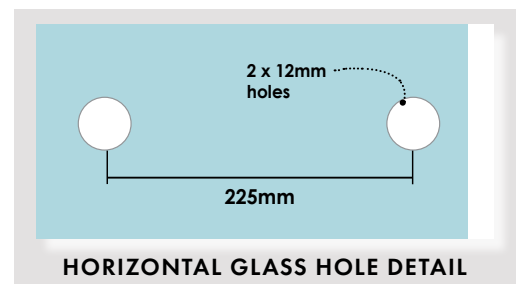
Zürich Square D handle – 250mm long

Chrome plated or pearl satin finish

Order Code: ZUR-HD-250 (Chrome)

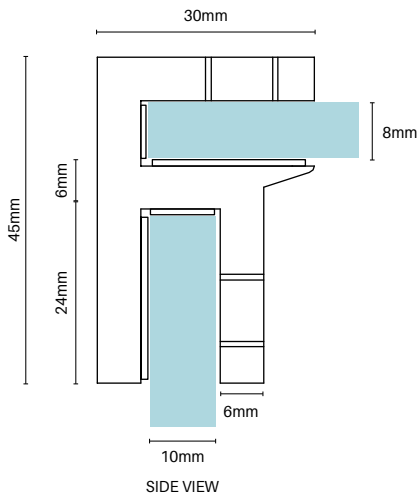
ZUR-PEARL-HD-250 (Pearl satin)

- Latest European design with slimline square profile with inner rounded handle for easy gripping
- Back to back pull handle; suits 8mm, 10mm and 12mm glass
- Polish or pearl satin chrome
- Nylon spacers and gaskets included to prevent glass touching metal
- Install vertically or horizontally – horizontal rail may be used as a towel rail
- Does not suit installation with modular glass door panels. Custom made glass is required





PURITY GLASS BRACKETS



Purity Showerscreens® glass brace bracket

SMALL – SQUARE EDGE

Chrome plated, matt black, brushed brass/gold, matt white, gunmetal, brushed nickel & pearl satin finishes

Order Code: P-GBB-S (Bianco – Chrome)

PN-GBB-S (Nero – Black)

P-ORO-GBB-S (Oro – Brushed Brass/Gold)

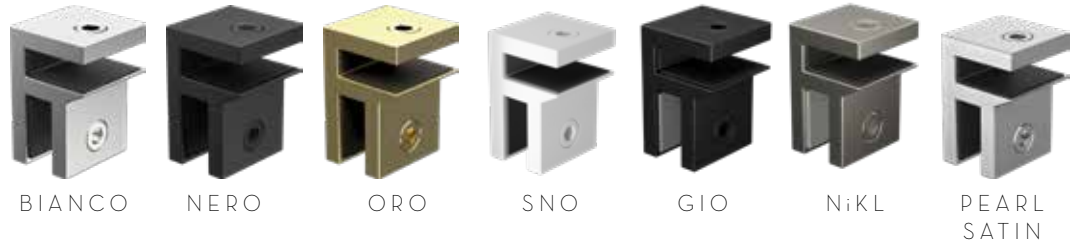
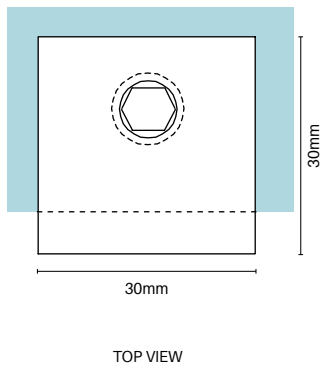
P-SNO-GBB-S (Sno – White)

P-GIO-GBB-S (Gio – Gunmetal)

P-NIKL-GBB-S (Nikl – Brushed Nickel)

P-PEARL-GBB-S (Pearl satin)

- Brace 8mm thick glass hood to 10mm thick hinge and return panel for stability
- Removes requirement for silicone use
- 2x compression/friction screws – quick and flexible installation as no holes in glass required
- Manufactured in solid brass

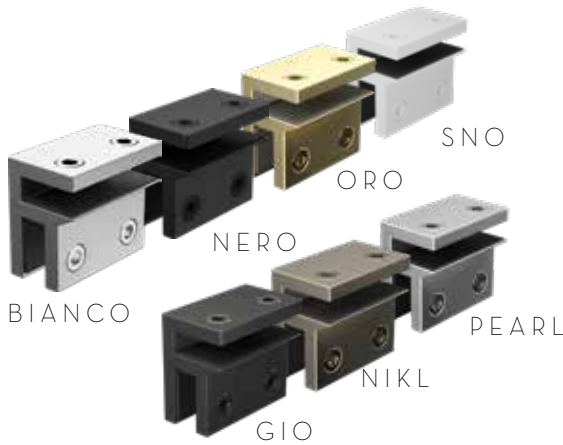


Place bracket ensuring glass door does not hit when swinging inwards

Eliminate the need for silicone with the friction fit glass brace panel brackets – Glass brace hood panel stabilises hinge and return panels



PURITY GLASS BRACKETS & DOOR STOPS



Purity Showerscreens® glass brace bracket

LARGE – SQUARE EDGE

Chrome plated, matt black, brushed brass/gold, matt white, gunmetal, brushed nickel & pearl satin finishes

Order Code: P-GBB-L (Bianco – Chrome)

PN-GBB-L (Nero – Black)

P-ORO-GBB-L (Oro Brushed Brass/Gold)

P-SNO-GBB-L (Sno – White)

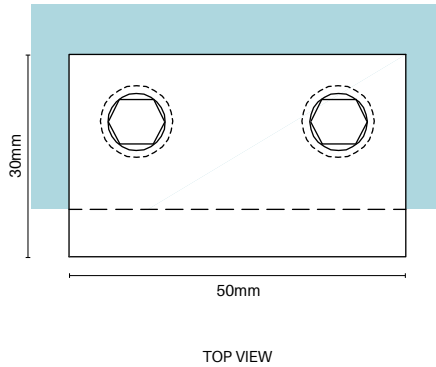
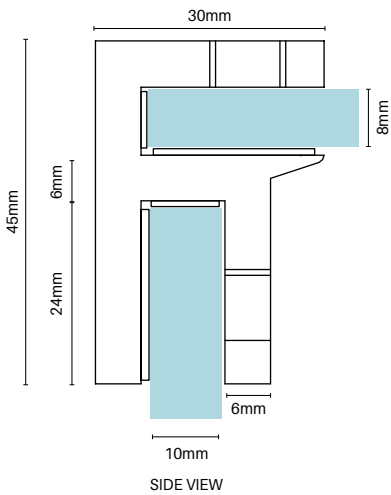
P-GIO-GBB-L (Gio – Gunmetal)

P-NIKL-GBB-L (Nikl – Brushed Nickel)

P-PEARL-GBB-L (Pearl satin)

- Brace 8mm thick glass hood to 10mm thick hinge and return panel for stability
- Removes requirement for silicone use
- 4x compression/friction screws – quick and flexible installation as no holes in glass required
- Manufactured in solid brass
- Double screw sturdy design

Place bracket ensuring glass door does not hit when swinging inwards



Eliminate the need for silicone with the friction fit glass brace panel brackets – Glass brace hood panel stabilises hinge and return panels



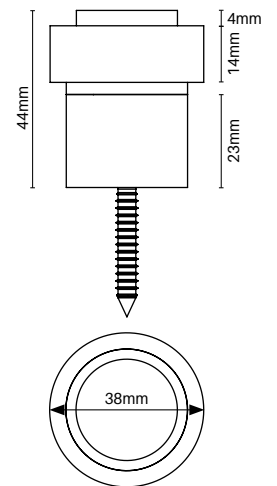
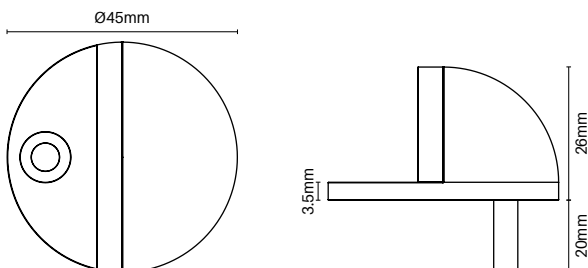
Purity Showerscreens® door stop

Polish SS304 or pearl satin finish

Order Code: P-STOP (Bianco – Chrome)

P-PEARL-STOP (Pearl satin)

- Slimline door stop
- Includes a non-removable rubber insert to prevent glass touching metal
- Special stainless steel leg attached to the base for added strength and to prevent the door stop from pivoting – leg is removable if required
- Manufactured from SS304 in polish or pearl satin
- Includes fixing screw with plug

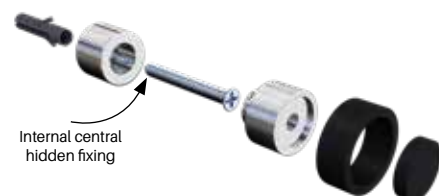


Purity Showerscreens® door bump stop

Satin finish – SS304

Order Code: P-BUMP-S

- Versatile door stopper – install into floor (vertically) or into wall (horizontally)
- 2 part design enables easy installation plus hidden fixing
- Single sturdy ST8x65mm SS304 screw
- Side rubber position can be changed to line up with glass





PURITY SUPPORT ARMS



Purity Showerscreens® adjustable arm bracket

SMALL ARM BRACKET

Chrome plated, matt black, brushed brass/gold, matt white, gunmetal, brushed nickel & pearl satin finishes

Order Code: P-ARM-A (Bianco – Chrome)

PN-ARM-A (Nero – Black)

P-ORO-ARM-A (Oro Brushed Brass/Gold)

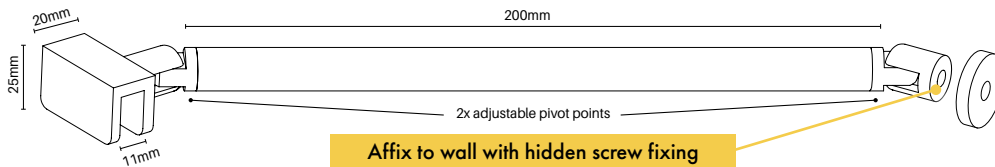
P-SNO-ARM-A (Sno – White)

P-GIO-ARM-A (Gio – Gunmetal)

P-NIKL-ARM-A (Nikl – Brushed Nickel)

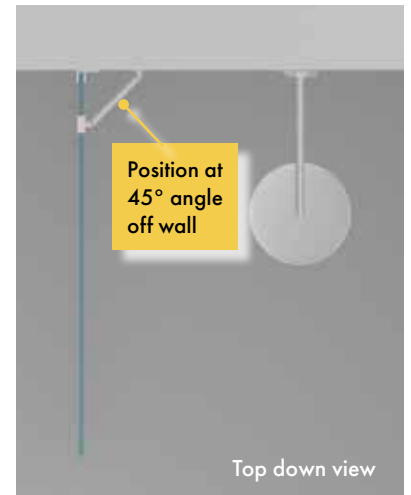
P-PEARL-ARM-A (Pearl Satin)

- Slimline wall to glass support arm for stabilising single glass panels
- Brace from wall to glass panel at a 45° angle to provide rigidity
- Double adjustability for easy installation; can swivel at both ends
- Unique hidden fixing wall installation for a neat finish
- Suitable for 8mm & 10mm glass
- Compression/friction screws – quick and flexible installation as no holes in glass required
- Manufactured in solid brass with SS304 tube



Easy angle adjustment!

Angle is easily adjustable from both ends of bracket



Top down view



Purity Showerscreens® round horizontal support arm

Chrome plated, matt black, brushed brass/gold, matt white, gunmetal, brushed nickel & pearl satin finishes

Order Code: P-ARM-1200 (Bianco – Chrome)

P-ORO-ARM-1200 (Oro – Brushed Brass/Gold)

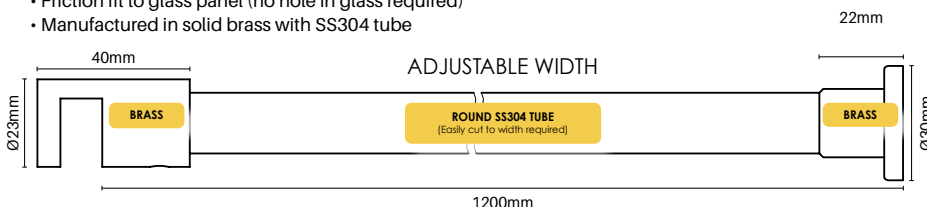
P-SNO-ARM-1200 (Sno – White)

P-GIO-ARM-1200 (Gio – Gunmetal)

P-NIKL-ARM-1200 (Nikl – Brushed Nickel)

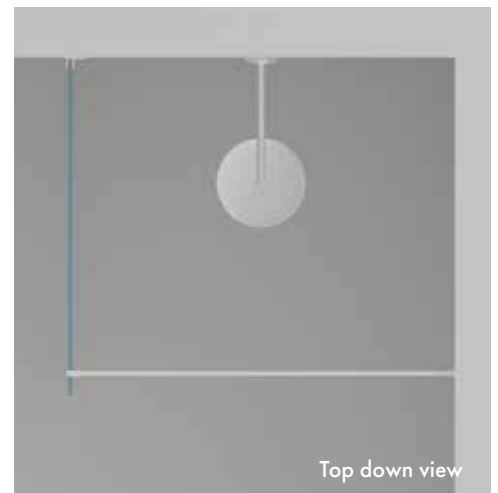
P-PEARL-ARM-1200 (Pearl satin)

- Fix horizontally from wall to top of glass panel
- Easy horizontal fixing solution for stabilising single glass panels
- Horizontal fixing – hidden fixing into wall (internal CSK screw)
- Width adjustable up to 1200mm – simply cut stainless tube to required length
- Suitable for 8mm & 10mm glass
- Friction fit to glass panel (no hole in glass required)
- Manufactured in solid brass with SS304 tube



Easy width adjustment!

Simply cut to desired length and reattach fitting with grub screws



Top down view



PURITY SUPPORT ARMS



Easy width adjustment!

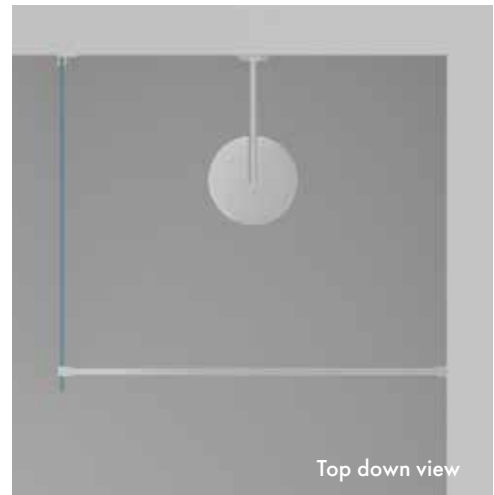
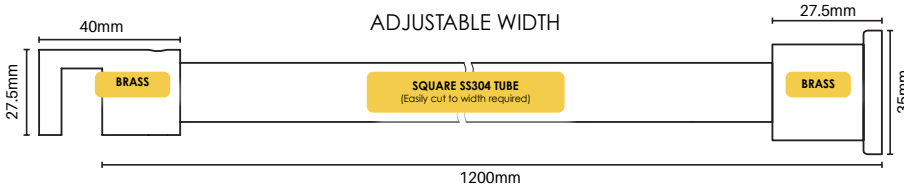
Simply cut to desired length and reattach fitting with grub screws

Purity Showerscreens® square horizontal support arm

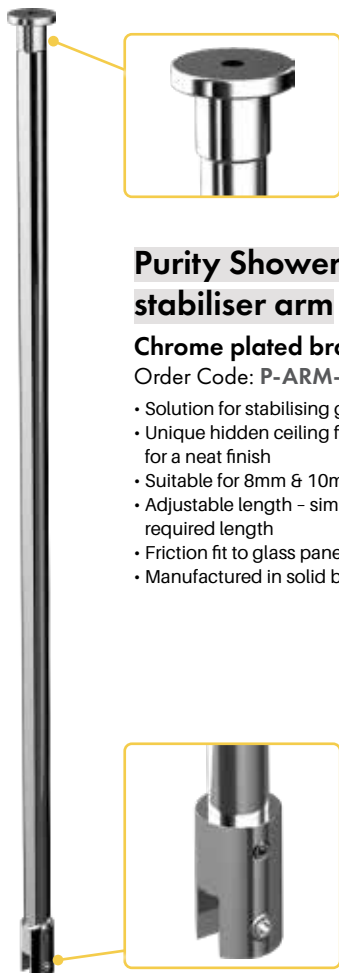
Brass & square SS304 tube

Order Code: P-ARM-1200-SQ (Bianco – Chrome)
PN-ARM-1200-SQ (Nero – Black)

- Fix horizontally from wall to top of glass panel
- Popular square design
- Easy horizontal fixing solution for stabilising single glass panels
- Horizontal fixing – hidden fixing into wall (internal CSK screw)
- Width adjustable up to 1200mm – simply cut stainless tube to required length
- Suitable for 8mm & 10mm glass
- Friction fit to glass panel (no hole in glass required)
- Manufactured in solid brass with SS304 tube



Top down view



Purity Showerscreens® vertical stabiliser arm

Chrome plated brass & SS304 tube

Order Code: P-ARM-ST (Bianco – Chrome)

- Solution for stabilising glass panel from a ceiling
- Unique hidden ceiling fixing (internal CSK screw) for a neat finish
- Suitable for 8mm & 10mm glass
- Adjustable length – simply cut stainless tube to required length
- Friction fit to glass panel (no hole in glass required)
- Manufactured in solid brass with SS304 tube



Easy height adjustment!

Simply cut to desired height and reattach fitting with grub screws



Side view



MULTI ARM.

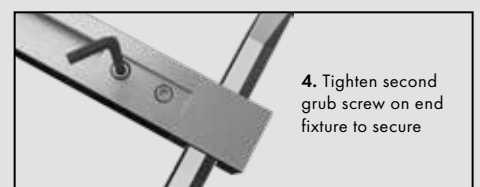
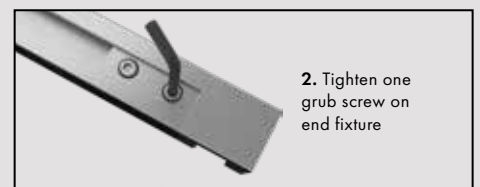
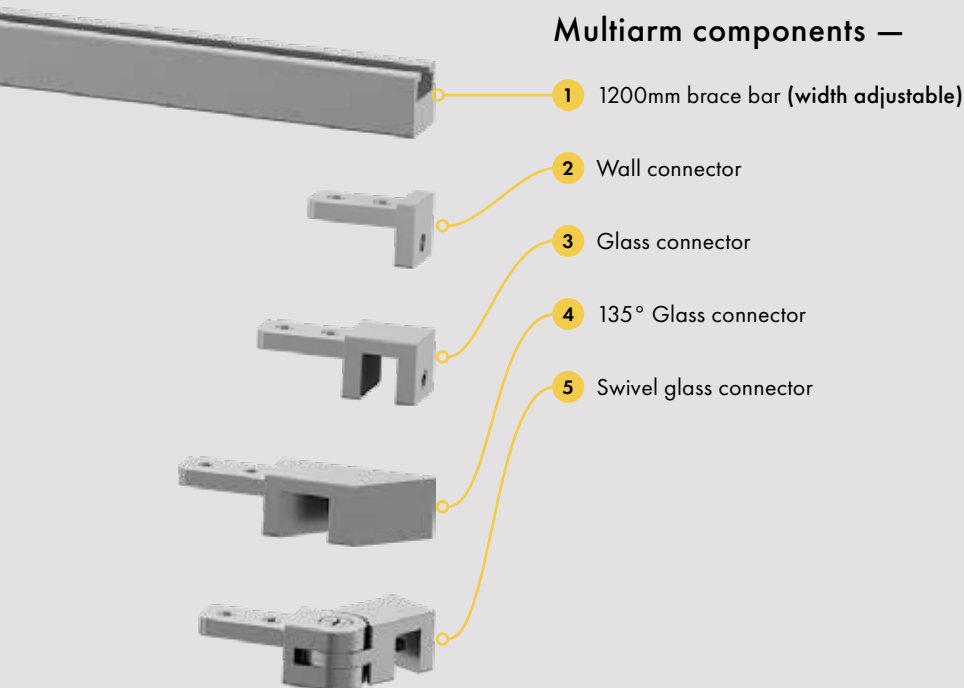
Mix & match
connectors on
both ends!

Mix and match shower screen bracing system

- Various fittings available for most bracing situations
- Brace bar is easily width adjustable
- Available in chrome and matt black finish
- Ideal for bracing:
 - + Wall to glass panel
 - + 135 glass panel configurations
 - + Glass panel to glass panel
 - + Wall to glass panel at an angle

MULTIARM SYSTEM

Mix and match friction fit shower panel bracing system
Simply insert required fitting into width adjustable brace bar





PURITY MULTIARM COMPONENTS

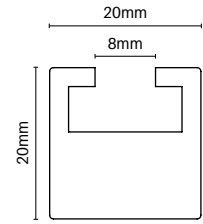


Purity Multiarm 20x20mm support

Polished anodised or matt black

Order Code: **P-MULTIARM-1200-P** (Bianco – Chrome)
PN-MULTIARM-1200-B (Nero – Black)

- 1200mm wide brace bar extrusion
- Polished anodise or matt black finish
- 20x20mm square aluminium with slot for connector insertion
- Easily width adjustable – simply cut as required
- Mix and match both ends – all connectors fit

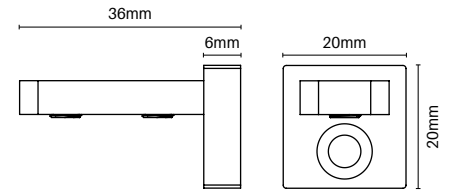


Purity Multiarm wall connector

Chrome plated or matt black finish

Order Code: **P-MULTIARM-WC** (Bianco – Chrome)
PN-MULTIARM-WC-B (Nero – Black)

- Wall connector slots into brace bar
- 2 x recessed top grub screws securely fix to bar
- 1 x countersunk hole for wall fixing. Fixing is hidden once connected to bar
- Solid brass

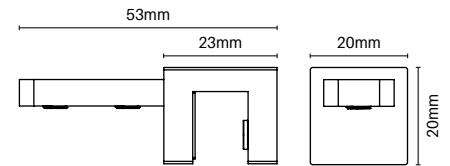


Purity Multiarm glass connector

Chrome plated or matt black finish

Order Code: **P-MULTIARM-GC** (Bianco – Chrome)
PN-MULTIARM-GC-B (Nero – Black)

- Glass connector slots into brace bar
- 2 x recessed top grub screws securely fix connector to bar
- Friction fit bracing of 8 & 10mm glass
- Made from solid aluminium with CNC processing

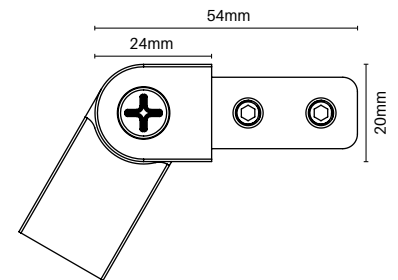


Purity Multiarm swivel connector

Chrome plated or matt black finish

Order Code: **P-MULTIARM-SWIV** (Bianco – Chrome)
PN-MULTIARM-SWIV-B (Nero – Black)

- Adjustable angle glass connector slots into brace bar
- 2 x recessed top grub screws securely fix connector to bar
- Friction fit bracing of 8 & 10mm glass
- From inline position, adjust angle 60 degrees left or right
- Solid brass

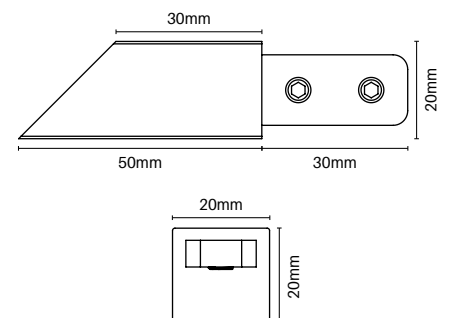


Purity Multiarm 135° connector

Chrome plated or matt black finish

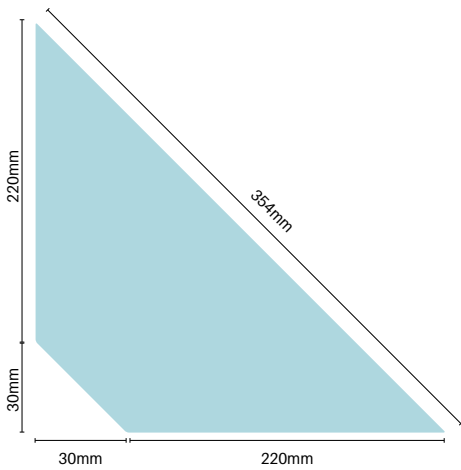
Order Code: **P-MULTIARM-135** (Bianco – Chrome)
PN-MULTIARM-135-B (Nero – Black)

- Glass connectors slot into brace bar
- For 135 degree 'diamond' shape glass installations
- 2 x recessed top grub screws securely fix connector to bar
- Friction fit bracing of 8 & 10mm glass
- Made from solid aluminium with CNC processing
- 2 pack – includes 1 x left and 1 x right connector





SHOWER ACCESSORIES



Purity Showerscreens® glass shelf

Order Code: P-S-0250

- Handy and stylish shelf for storage of bottles/soap in shower
- Can also be used as a brace for rigidity of glass panels

8mm thick clear toughened

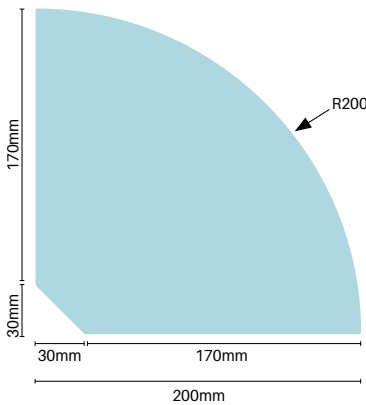
1 mm radius corners

Individually boxed panels

Flat polished edges

Corner protectors in packing

| Thickness | Sqm | Weight |
|-----------|------|--------|
| 8mm | 0.06 | 1.3kg |



Purity Showerscreens® glass shelf with radius

Order Code: P-S-R200

- Handy and stylish shelf for storage of bottles/soap in shower
- Can also be used as a brace for rigidity of glass panels
- Stylish 200mm radius shape

10mm thick clear toughened

Radius 200mm

Individually boxed

Flat polished edges

| Thickness | Sqm | Weight |
|-----------|------|--------|
| 10mm | 0.04 | 0.8kg |

Enduroshield glass treatment kit

Order Code: ENDURO-GC-125

- Covers up to 8sqm
- Water and oil repellent
- 1 application lasts 3+ years
- Kit includes pre-cleaner product and surface treatment
- Cuts cleaning time by up to 90%
- DIY kit commonly used & applied to glass by home owner

Kit includes:

- 125m Enduroshield Glass Home
- Surface treatment
- 250mL EnduroClean Pre-Cleaner
- Fine steel wool
- Polishing cloth
- Step by step instructions
- 3 year limited warranty



**ALSO AVAILABLE IN
500ML BOTTLES**

Covers up to 32sqm

Order Code: ENDURO-GC-500





REPELS WATER



WARRANTY

The world's leading glass treatment now available & applied at GO

Ultimate protection

Optically clear, UV stable, chemical resistant, water and oil repellent

Reduces maintenance costs

EnduroShield keeps glass visibly cleaner for longer and reduces the frequency between cleans

Highly durable

Permanently bonds to the glass and comes with a true 10 year performance warranty*

Suits all glass ranges

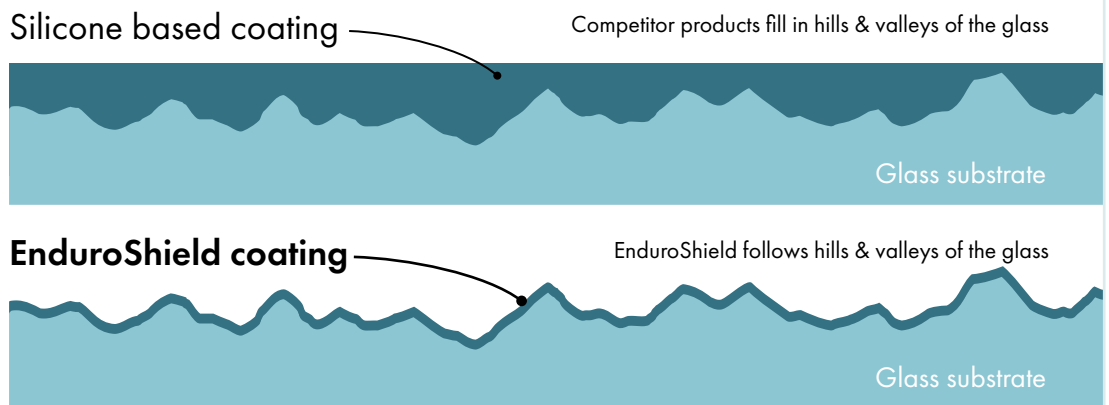
From balustrading to pool fencing, high rise and domestic glazing, shower screens and insulated glass units, EnduroShield is the smart choice for glass



We will expertly coat your glass shower screen panels in our branches*

*Available in Brisbane, Yatala, Gold Coast, Newcastle & Perth depots. Enduroshield is not available on Trilogy & Linea ranges.

A permanent* coating that is both water and oil repellent



Silicone based sealers sit on top of the glass surface and can quickly wear off, leaving the surface unprotected. EnduroShield follows the hills and valleys of the glass, forming a strong, permanent* bond that does not flake or peel.

Testing and certification

*EnduroShield's performance has been independently tested by one of the leading global testing and certification houses, TÜV Rheinland in Germany for durability, easy-clean functionality, safety and quality. Testing was carried out to simulate a lifetime of 10 years on glass for both interior and exterior use, and EnduroShield passed all test.



- Easy to clean
- Durability tested

*Contact us for warranty info and terms and conditions



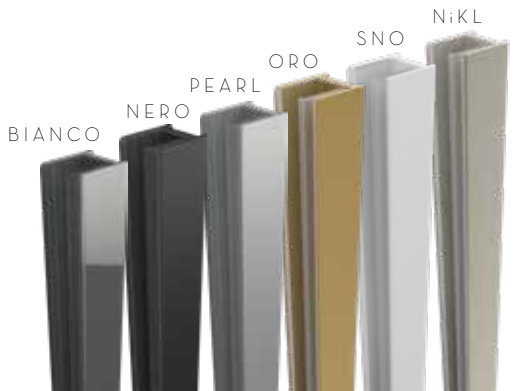
U CHANNELS

Purity Showerscreens®

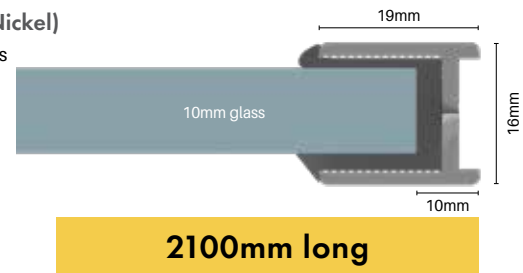
Aluminium U channel

Chrome plated, matt black, brushed brass/gold, matt white, brushed nickel & pearl satin finishes

- Order Code: P-U-2100 (Bianco – Polish)
 PN-U-2100 (Nero – Black)
 P-PEARL-U-2100 (Pearl satin)
 P-ORO-U-2100 (Oro Brushed Brass/Gold)
 P-SNO-U-2100 (Sno – White)
 P-NIKL-U-2100 (Nikl – Brushed Nickel)



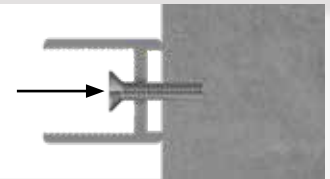
- Slimline dry glaze system - no need for silicone on glass
- Fast installation
- Suitable for 10mm glass
- Consider using when wall is out of square (up to 6mm)
- Internal ribs hold secure 2 part clear glazing PVC
- U channel and 2 part clear glazing PVC included
- 2100mm long - easy to cut shorter if required
- Positions glass edge 10mm from wall



After cutting the U channel to size:

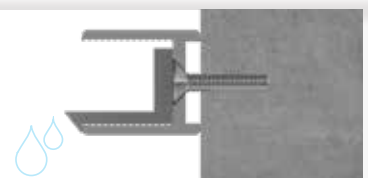
1

Screw the aluminium U channel to wall using counter sunk screws.
 (Ensure wall plugs are used if an internal stud cannot be located)
 Recommended minimum 3x screw fixings per channel evenly distributed from top to bottom of U channel
 (Fixings not supplied - source own fixings depending on substrate)



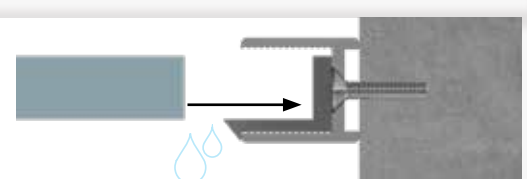
2

Run the L shaped rubber wedge inside the U channel with 'fin' facing inside the shower.
 If need be, consider making a hole in PVC where screws are placed to stop PVC bulging out. Screw head must not penetrate past PVC if hole is made.



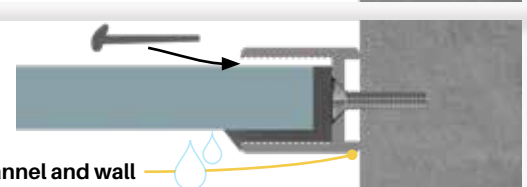
3

Insert 10mm glass panels



4

With a square offcut of soft pine timber & a rubber mallet, tap in the clear plastic wedge on the outside of the showerscreen, working from the bottom up.



Apply silicone seal between U channel and wall

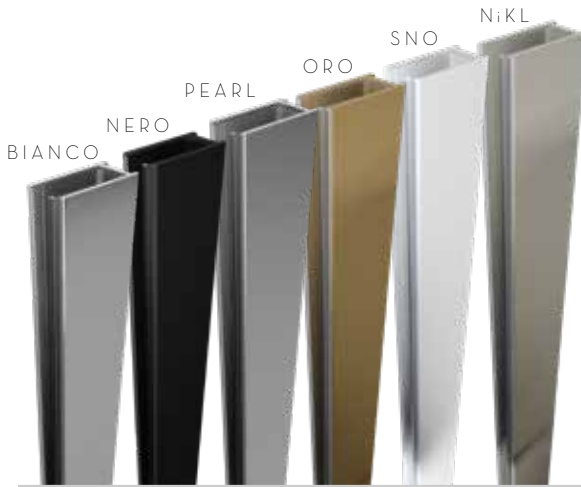
WE STOCK A RANGE OF
SILICONES & ACCESSORIES





U CHANNELS

Extended U channel – dry glaze, no silicone required

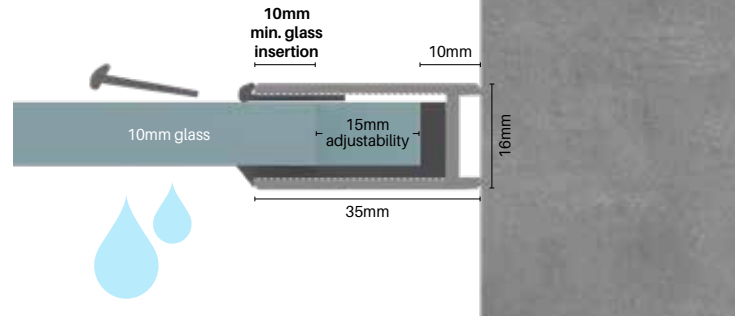


EXTENDED Aluminium U channel

Chrome plated, matt black, brushed brass/gold, matt white, brushed nickel & pearl satin finishes

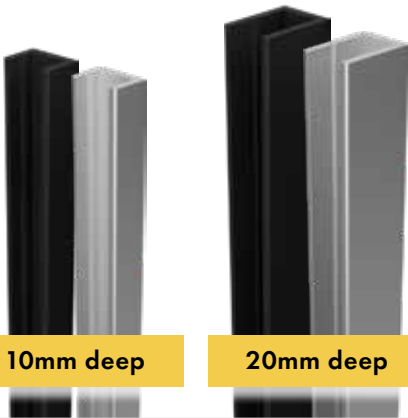
- Order Codes: P-U-2100-EXT (Bianco – Polish)
 PN-U-2100-EXT (Nero – Black)
 P-PEARL-U-2100-EXT (Pearl satin)
 P-ORO-U-2100-EXT (Oro Brushed Brass/Gold)
 P-SNO-U-2100-EXT (Sno – White)
 P-NIKL-U-2100-EXT (Nikl – Brushed Nickel)

- Extended U channel dry glaze system
- Ideal for use when walls are out of square to a large degree
- Provides extra width if required when installing glass panels
- Allows up to 15mm of width adjustment inside U channel
- *Min. distance glass edge positioned from wall: 10mm
- *Max. distance glass edge positioned from wall: 25mm



TRADE TIP: Temporarily hold the L-shape rubber in place with tape to assist with glazing the 10mm glass panel.

Wet glaze – silicone required



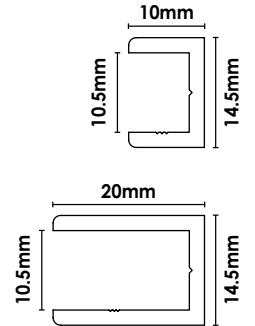
10mm anodised U channel (wet glaze)

- Order Code: P-UWET-2500-10MM (2500mm)
 PN-UWET-2500-10MM (2500mm)

20mm anodised U channel (wet glaze)

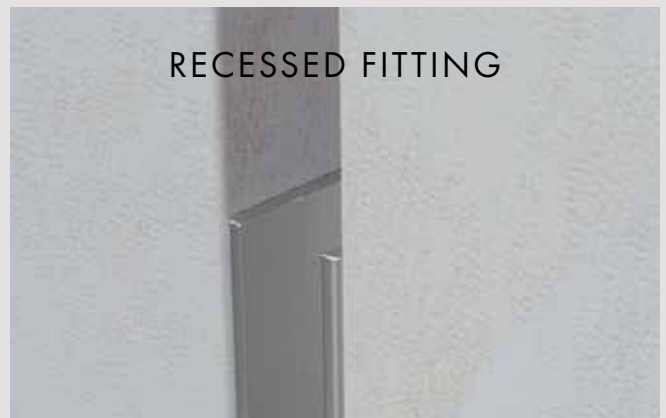
- Order Code: P-UWET-2500-20MM (2500mm)
 PN-UWET-2500-20MM (2500mm)

- Wet glaze U channel system - silicone required
- 2500mm long - adjust length by easily cutting channel
- Suits 8 & 10mm glass
- 2 finishes: Aluminium clear/satin anodise and black anodise
- 2 channel depths: 10mm or 20mm deep
- U channel can be used to secure panels to wall, ceiling or floor
- Commonly used as recess fit into tiles/wall



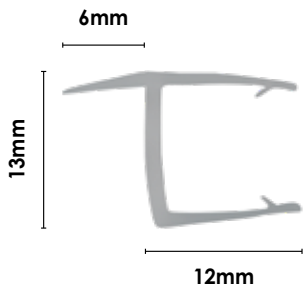
Common installation types

FIX TO WALL, CEILING OR FLOOR





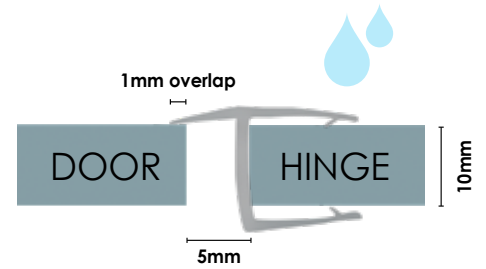
WATER SEALS



PVC hinge gap water seal

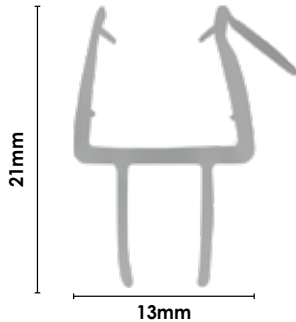
Order Code: P-SH10-2100 (2100mm)

- Water seal between hinge panel and door
- Suits 10mm thick glass
- U section - rigid PVC
- Single leg - 6mm flexible PVC
- Anti-mould additives included in PVC
- Simply snap onto hinge panel
- Available in 2100mm lengths



IF NO WATER BAR REQUIRED

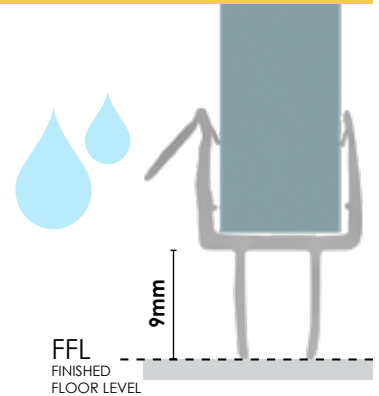
OPTION
1



9mm PVC under door water seal

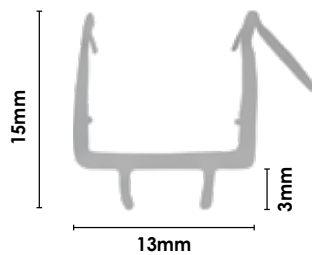
Order Code: P-SD10-0600-09F (600mm)
P-SD10-2100-09F (2100mm)

- Water seal under glass door with 9mm wipes
- Suits 10mm thick glass
- U section - rigid PVC
- 2x vertical leg wipes - 9mm flexible PVC
- 45 degree angle drip rail incorporated
- Anti-mould additives included in PVC
- Simply snap under glass door panel
- Available in 600mm and 2100mm lengths



IF USING A ROUND WATER BAR AND UNDER DOOR SEAL

OPTION
2



3mm PVC under door water seal

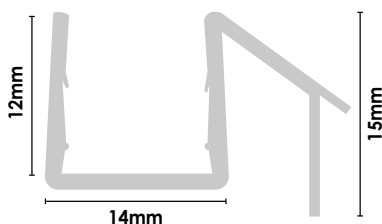
Order Code: P-SD10-0600-03F (600mm)
P-SD10-2100-03F (2100mm)

- Water seal under glass door with 3mm wipes
- Suits 10mm thick glass
- U section - rigid PVC
- 2x vertical leg wipes - 3mm flexible PVC
- 45 degree angle drip rail incorporated
- Anti-mould additives included in PVC
- Simply snap under glass door panel
- Available in 600mm and 2100mm lengths
- Use in conjunction with our anodised aluminium or clear acrylic water bars

Refer option 2A, 2B, 2C
on following page for
use with water bars

IF USING A RECTANGULAR WATER BAR AND UNDER DOOR SEAL

OPTION
3



Slimline PVC under door water seal

Order Code: P-SD10-2100-SLIM

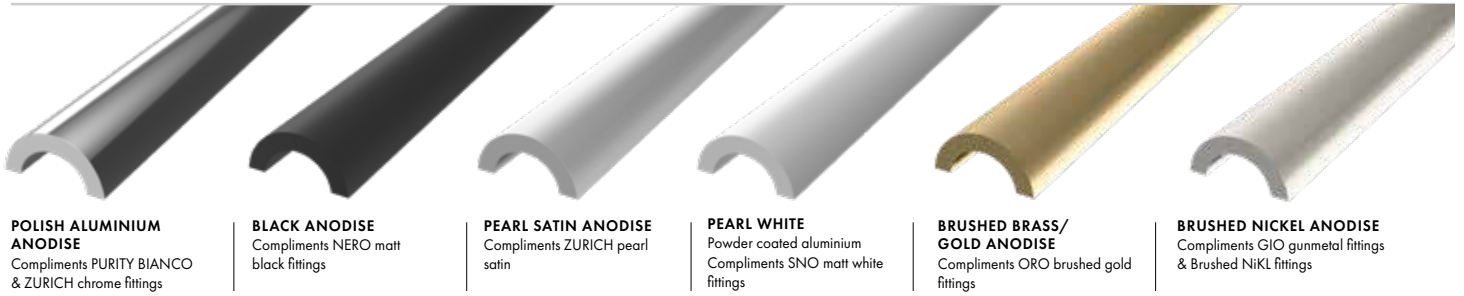
- Slimline water seal designed for minimal clearance under door
- Suits 10mm thick glass
- Anti-mould additives included in PVC
- Simply snap under glass door panel
- Designed to be used in conjunction with 9mm high rectangular water bar
- Available 2100mm long

Refer option 3 on p51



WATER BARS

WATER BAR OPTIONS WITH ROUND WATER BAR & 3MM FINS WATER SEAL



POLISH ALUMINIUM ANODISE
Compliments PURITY BIANCO & ZURICH chrome fittings

BLACK ANODISE
Compliments NERO matt black fittings

PEARL SATIN ANODISE
Compliments ZURICH pearl satin

PEARL WHITE
Powder coated aluminium
Compliments SNO matt white fittings

BRUSHED BRASS/ GOLD ANODISE
Compliments ORO brushed gold fittings

BRUSHED NICKEL ANODISE
Compliments GIO gunmetal fittings & Brushed NIKL fittings

OPTION
2A

Slimline aluminium water bar

Order Code: **607mm long**

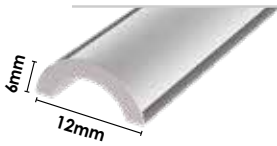
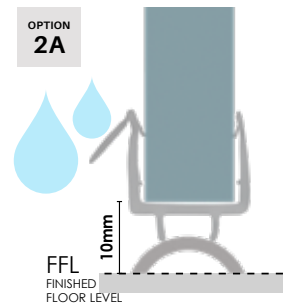
P-BAR12-0607-PA (Polish aluminium)
P-BAR12-0607-B (Black anodise)

2000mm long

P-BAR12-2000-PA (Polish aluminium)
P-BAR12-2000-B (Black anodise)
P-BAR12-2000-SA (Pearl satin anodise)
P-BAR12-2000-PW (Pearl white)
P-BAR12-2000-ORO (Brushed brass/gold anodise)
P-BAR12-2000-NIKL (Brushed nickel anodise)

- Slimline aluminium water bar: 12mm wide x 6mm high
- Rebated D profile design to allow adhering to floor/base with silicone
- Easily cut to required width
- 607mm wide available in polish and black aluminium only to suit stock panel 600mm wide glass shower door
- 2000mm wide available in all finishes
- *Use in conjunction with 3mm fin under door fin for maximum water seal

OPTION
2A



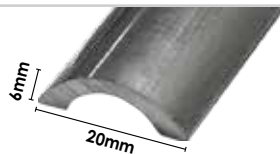
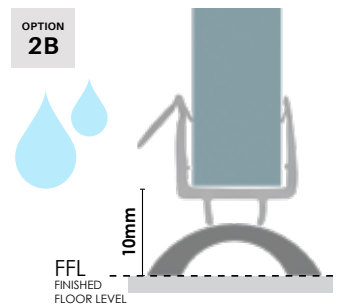
OPTION
2B

Aluminium water bar

Order Code: **P-BAR-0607-PA (Polish aluminium)**
P-BAR-2100-PA (Polish aluminium)

- Anodised aluminium water bar
- Polish finish
- Rebated D profile design to allow adhering to floor/base with silicone
- Available in 607mm and 2100mm lengths
- 607mm pre-cut to door opening for stock panel 600mm wide door
- *Use in conjunction with 3mm fin under door fin for maximum water seal

OPTION
2B



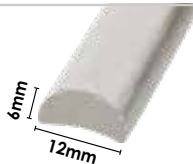
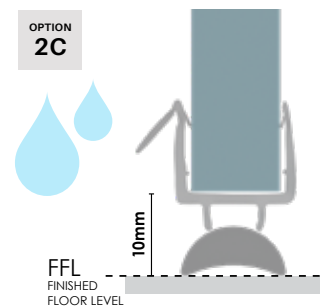
OPTION
2C

Clear acrylic water bar

Order Code: **P-BAR-0607-A (600mm)**
P-BAR-2100-A (2100mm)

- Clear acrylic water bar
- Rebated D profile design to allow adhering to floor/base with silicone
- Available in 607mm and 2100mm lengths
- 607mm pre-cut to door opening for stock panel 600mm wide door
- *Use in conjunction with 3mm fin under door fin for maximum water seal

OPTION
2C

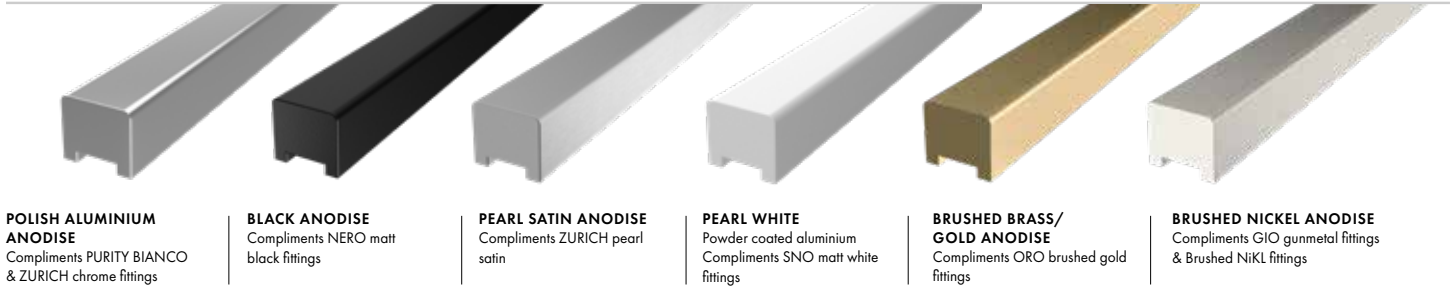






WATER BARS

WATER BAR OPTIONS WITH SQUARE WATER BAR & 3MM FINS SLIMLINE WATER SEAL



POLISH ALUMINIUM ANODISE
Compliments PURITY BIANCO & ZURICH chrome fittings

BLACK ANODISE
Compliments NERO matt black fittings

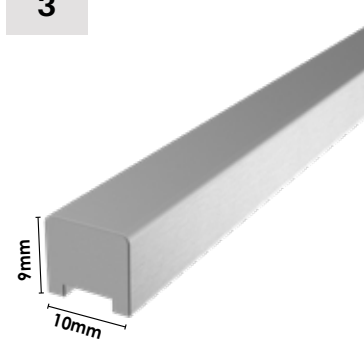
PEARL SATIN ANODISE
Compliments ZURICH pearl satin

PEARL WHITE
Powder coated aluminium
Compliments SNO matt white fittings

BRUSHED BRASS/ GOLD ANODISE
Compliments ORO brushed gold fittings

BRUSHED NICKEL ANODISE
Compliments GIO gunmetal fittings & Brushed NiKL fittings

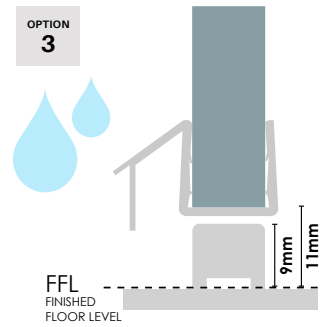
OPTION 3



Rectangular water bar

Order Code: P-BAR10SQ-2000-PA (Polish aluminium)
 P-BAR10SQ-2000-B (Black anodise)
 P-BAR10SQ-2000-SA (Pearl satin anodise)
 P-BAR10SQ-2000-ORO (Brushed brass/gold anodise)
 P-BAR10SQ-2000-NIKL (Brushed nickel anodise)
 P-BAR10SQ-2000-PW (White powdercoat)

- 10mm wide x 9mm high aluminium water bar
- Rebated bottom design to allow adhering to floor with silicone
- Easily cut to width required
- 2000mm wide
- Use in conjunction with slimline under door seal for maximum water seal (Code: P-SD10-2100-SLIM)





EXTRAS & ACCESSORIES



Soudal kitchen/ bathroom silicone

TRANSLUCENT – 300mL
Order Code: SOUD-KBS-TRANS

- Translucent finish
- High quality, neutral cure silicone
- Easy to smooth & finish
- For sealing, waterproofing and bonding applications
- Contains mould & mildew inhibitors
- Colourfast and UV resistant
- Strong adhesion to glass, tile, ceramics, aluminium, metals (including powder-coated & anodised), painted surfaces, fibreglass, stainless steel
- Use standard caulking gun



Soudal kitchen/ bathroom silicone

WHITE – 300mL
Order Code: SOUD-KBS-W

- White finish
- High quality, neutral cure silicone
- Easy to smooth & finish
- For sealing, waterproofing and bonding applications
- Contains mould & mildew inhibitors
- Colourfast and UV resistant
- Strong adhesion to glass, tile, ceramics, aluminium, metals (including powder-coated & anodised), painted surfaces, fibreglass, stainless steel
- Use standard caulking gun



Soudal all purpose silicone

300mL
Order Code: SOUD-APS-B

- Black finish
- High quality, neutral cure silicone
- Ultimate all rounder silicone (roof/gutter, kitchen/bathroom, glass/glazing)
- For sealing, waterproofing & bonding applications
- Strong adhesion to ceramics, glass, aluminium (including powder coated & anodised), PVC, stainless steel, zinc & galvanised coated surfaces, timber, concrete, fibreglass, laminate, painted surfaces, etc
- UV resistant with very good mould resistance (biocide with fungicidal action)
- Water potable & food safe
- Use standard caulking gun



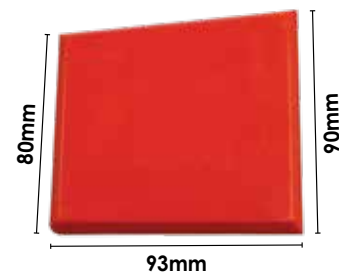
Bostik 6S

300G – TRANSLUCENT
Order Code: P-S-6S

- Translucent finish
- High performance neutral cure silicone sealant
- Contains a mould and mildew inhibitor
- Seals water tight – UV and weather resistant
- Designed for use in showers, baths, sinks and laundries

Compatible substrates:

- Glass
- Ceramic tiles
- Grout
- Aluminium
- Steel
- Masonry
- Most plastics



Purity silicone spatula

MEDIUM FLEXIBILITY

Order Code: P-SS

- Handy tool for glazing panels with silicone
- Made from thermoplastic polyurethane – good elasticity and resistant to oils, grease & abrasion
- 1 x corner features radius (R4) for neat silicone finishing



Purity clear setting blocks

1.5mm x 12mm x 50mm
Order Code: P-SB

- Position under glass panels to separate bottom edge of glass from floor



Glass gloves – pair of 2

ONE SIZE FITS ALL
NOT FOR USE WHEN WET
Order Code: GLOVE



Ultraloc Threadlocker 3242 compound

10ML BOTTLE
Order Code:

ULTRALOC-3242

- Medium strength removable grade threadlocking compound for metal screws, nuts and fasteners from 6mm to 20mm in diameter



EXTRAS & ACCESSORIES



Tile drill bit

Tungsten carbide bit

Order Code: P-BIT-7MM (7mm)

P-BIT-8MM (8mm)

- Available in 7mm or 8mm diameter
- For smooth drilling into ceramic tiles, brick, fibreglass & plastics
- Tungsten carbide bit with copper brazing
- Diamond facet spear point for precision penetration
- Bits fit into standard drills

THE PERFECT FINISH EVERYTIME.



Our new hardware swatches allow for clients to select the perfect finish everytime. Compact & portable for meetings or for your showroom display.

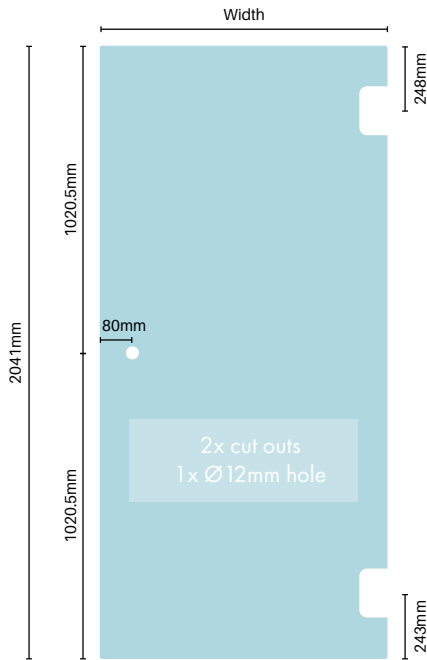
Swatch Set

Order Code: P-SWATCH

- Swatch set in white carry bag
- 50mm diameter swatches of 7 x finishes: Chrome; Pearl satin; Gio gun metal; Nikl brushed nickel; Oro brushed brass/ gold; Sno white; Nero black
- Ideal for showing hardware colour finish options available



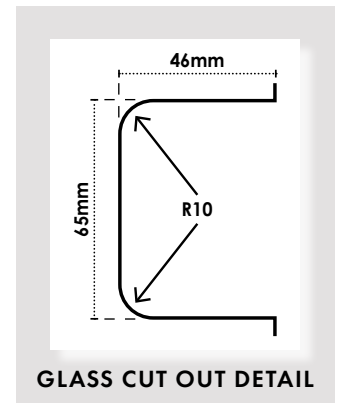
PURITY KNOB DOOR PANELS



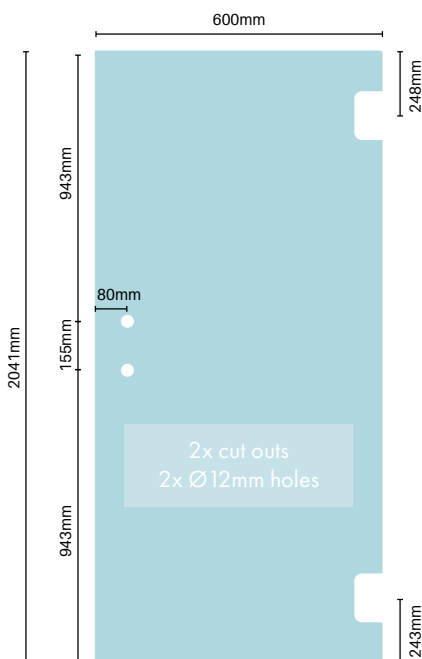
| Order Code | Width | Height | Sqm | Weight |
|------------|-------|---------|------|--------|
| P-D-0600K | 600mm | 2041 mm | 1.22 | 31kg |
| P-D-0610K | 610mm | 2041 mm | 1.25 | 31kg |
| P-D-0620K | 620mm | 2041 mm | 1.27 | 32kg |
| P-D-0630K | 630mm | 2041 mm | 1.29 | 32kg |
| P-D-0640K | 640mm | 2041 mm | 1.31 | 33kg |

See pages 34-35 for knob options

- 10mm thick clear toughened
- Grade "A" toughened glass
- 1 mm radius corners
- Individually boxed panels
- Flat polished edges



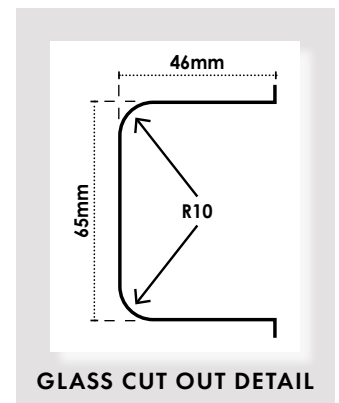
PURITY HANDLE DOOR PANELS



| Order Code | Width | Height | Sqm | Weight |
|------------|-------|---------|------|--------|
| P-D-0600H | 600mm | 2041 mm | 1.22 | 31kg |

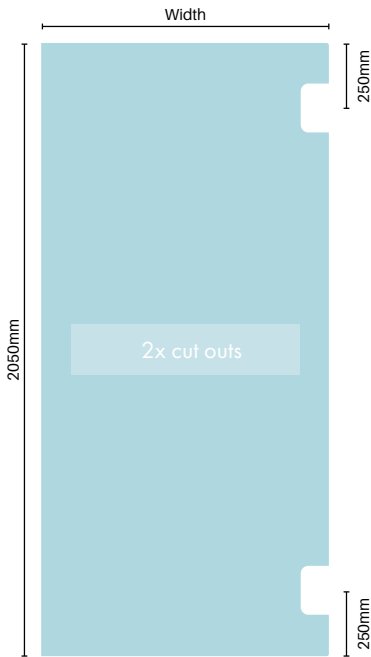
See pages 36-37 for handle options

- 10mm thick clear toughened
- Grade "A" toughened glass
- 1 mm radius corners
- Individually boxed panels
- Flat polished edges





PURITY HINGE PANELS



| Order Code | Width | Height | Sqm | Weight |
|------------|-------|--------|------|--------|
| P-H-0229 | 229mm | 2050mm | 0.46 | 12kg |
| P-H-0279 | 279mm | 2050mm | 0.56 | 14kg |
| P-H-0329 | 329mm | 2050mm | 0.66 | 17kg |
| P-H-0379 | 379mm | 2050mm | 0.78 | 19kg |
| P-H-0429 | 429mm | 2050mm | 0.88 | 22kg |
| P-H-0479 | 479mm | 2050mm | 0.98 | 24kg |
| P-H-0529 | 529mm | 2050mm | 1.08 | 27kg |
| P-H-0579 | 579mm | 2050mm | 1.19 | 30kg |

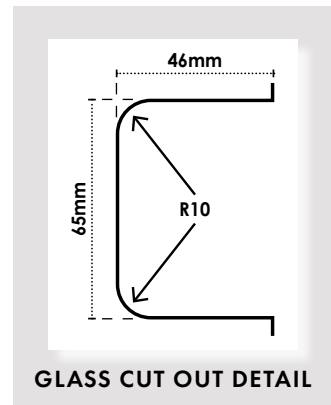
10mm thick clear toughened

Grade "A" toughened glass

1mm radius corners

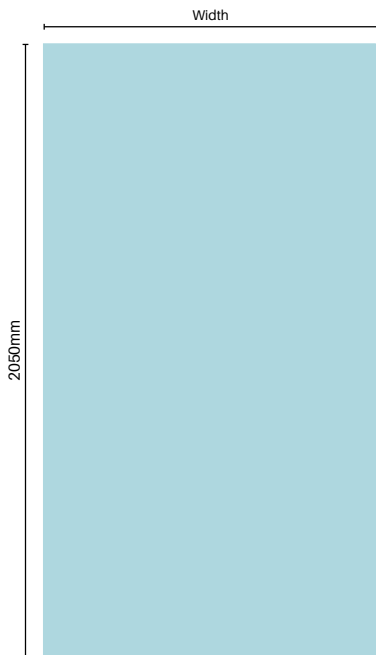
Individually boxed panels

Flat polished edges





PURITY RETURN/FIXED PANELS



| Order Code | Width | Height | Sqm | Weight |
|------------|--------|--------|------|--------|
| P-R-0197 | 197mm | 2050mm | 0.40 | 10 |
| P-R-0297 | 297mm | 2050mm | 0.61 | 15 |
| P-R-0397 | 397mm | 2050mm | 0.81 | 20 |
| P-R-0497 | 497mm | 2050mm | 1.02 | 25 |
| P-R-0597 | 597mm | 2050mm | 1.22 | 31 |
| P-R-0697 | 697mm | 2050mm | 1.43 | 36 |
| P-R-0797 | 797mm | 2050mm | 1.63 | 41 |
| P-R-0847 | 847mm | 2050mm | 1.74 | 43 |
| P-R-0872 | 872mm | 2050mm | 1.79 | 45 |
| P-R-0897 | 897mm | 2050mm | 1.84 | 46 |
| P-R-0922 | 922mm | 2050mm | 1.89 | 47 |
| P-R-0947 | 947mm | 2050mm | 1.94 | 49 |
| P-R-0972 | 972mm | 2050mm | 1.99 | 50 |
| P-R-0997 | 997mm | 2050mm | 2.04 | 51 |
| P-R-1022 | 1022mm | 2050mm | 2.10 | 52 |
| P-R-1047 | 1047mm | 2050mm | 2.15 | 54 |
| P-R-1097 | 1097mm | 2050mm | 2.25 | 56 |
| P-R-1147 | 1147mm | 2050mm | 2.35 | 59 |
| P-R-1197 | 1197mm | 2050mm | 2.45 | 61 |
| P-R-1297 | 1297mm | 2050mm | 2.66 | 67 |
| P-R-1397 | 1397mm | 2050mm | 2.86 | 72 |

10mm thick clear toughened

Individually boxed panels

Grade "A" toughened glass

Flat polished edges

1mm radius corners



| Order Code | Width | Height | Sqm | Weight |
|--|--------|--------|------|--------|
| 10MM NARROW REED – NOW AVAILABLE! | | | | |
| P-R-NR-0897 | 897mm | 2050mm | 1.84 | 46kg |
| P-R-NR-0997 | 997mm | 2050mm | 2.04 | 51kg |
| P-R-NR-1197 | 1197mm | 2050mm | 2.45 | 61kg |





PURITY BRACE PANELS

Use in conjunction with glass brace brackets: refer P38-39.



Provides rigidity for hinge panel supporting the shower door and return panel

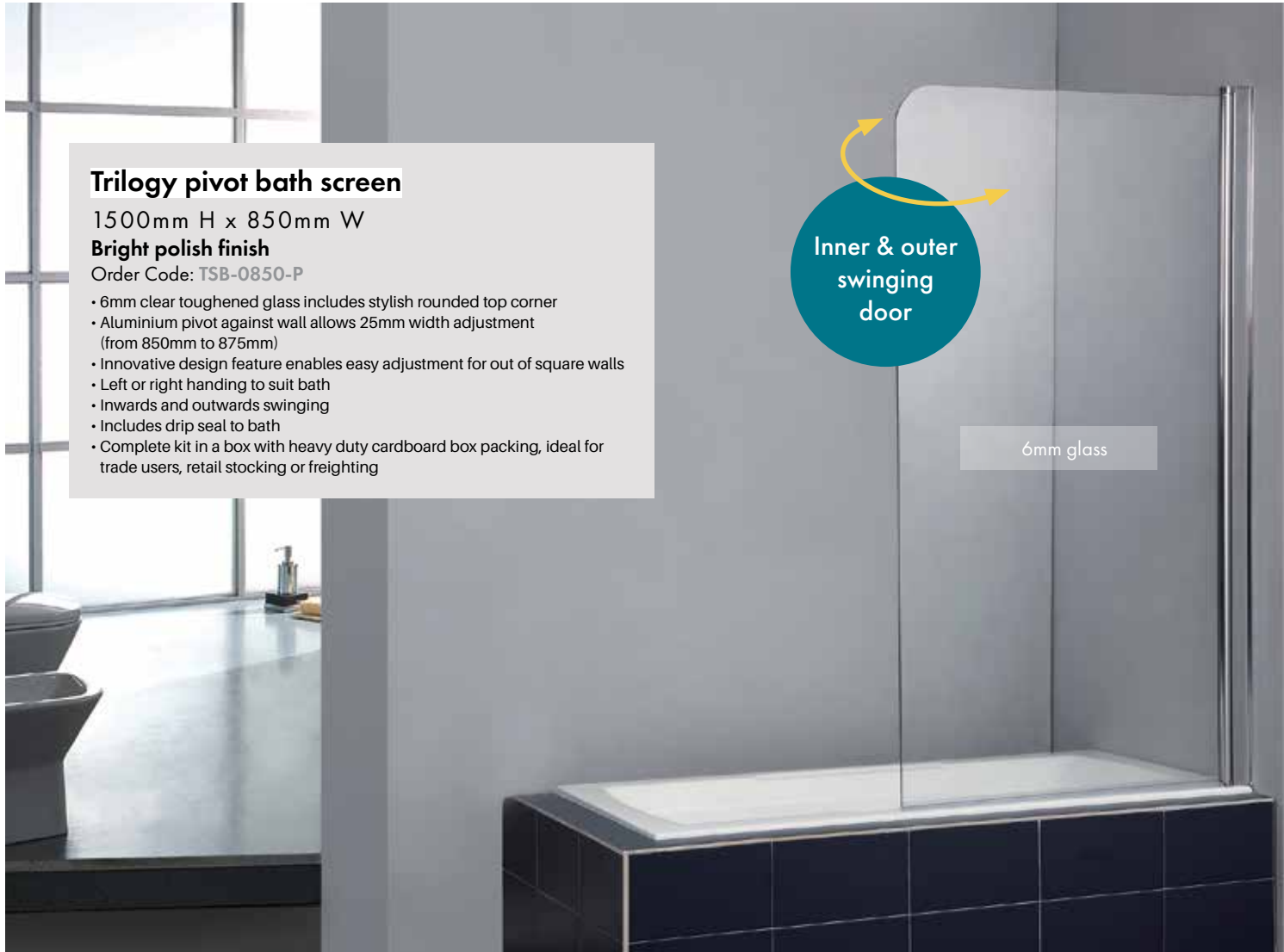
- 8mm thick clear toughened
- Grade "A" toughened glass
- 1 mm radius corners
- Individually boxed panels
- Flat polished edges

8mm glass brace used in a front and return frameless glass configuration.

| Order Code | Width | Depth | Sqm | Weight | Suits overall install width below (refer pg 81): |
|------------|--------|-------|------|--------|--|
| P-B-0846 | 846mm | 150mm | 0.12 | 2.5kg | 850mm wide |
| P-B-0856 | 856mm | 150mm | 0.13 | 2.6kg | 860mm wide |
| P-B-0866 | 866mm | 150mm | 0.13 | 2.6kg | 870mm wide |
| P-B-0876 | 876mm | 150mm | 0.13 | 2.6kg | 880mm wide |
| P-B-0886 | 886mm | 150mm | 0.13 | 2.7kg | 890mm wide |
| P-B-0896 | 896mm | 150mm | 0.13 | 2.7kg | 900mm wide |
| P-B-0906 | 906mm | 150mm | 0.14 | 2.7kg | 910mm wide |
| P-B-0916 | 916mm | 150mm | 0.14 | 2.7kg | 920mm wide |
| P-B-0926 | 926mm | 150mm | 0.14 | 2.8kg | 930mm wide |
| P-B-0936 | 936mm | 150mm | 0.14 | 2.8kg | 940mm wide |
| P-B-0946 | 946mm | 150mm | 0.14 | 2.8kg | 950mm wide |
| P-B-0956 | 956mm | 150mm | 0.14 | 2.9kg | 960mm wide |
| P-B-0966 | 966mm | 150mm | 0.14 | 2.9kg | 970mm wide |
| P-B-0976 | 976mm | 150mm | 0.15 | 2.9kg | 980mm wide |
| P-B-0986 | 986mm | 150mm | 0.15 | 3.0kg | 990mm wide |
| P-B-0996 | 996mm | 150mm | 0.15 | 3.0kg | 1000mm wide |
| P-B-1006 | 1006mm | 150mm | 0.15 | 3.0kg | 1010mm wide |
| P-B-1016 | 1016mm | 150mm | 0.15 | 3.0kg | 1020mm wide |
| P-B-1026 | 1026mm | 150mm | 0.15 | 3.1kg | 1030mm wide |
| P-B-1036 | 1036mm | 150mm | 0.15 | 3.1kg | 1040mm wide |
| P-B-1046 | 1046mm | 150mm | 0.16 | 3.1kg | 1050mm wide |
| P-B-1056 | 1056mm | 150mm | 0.16 | 3.2kg | 1060mm wide |
| P-B-1066 | 1066mm | 150mm | 0.16 | 3.2kg | 1070mm wide |
| P-B-1076 | 1076mm | 150mm | 0.16 | 3.2kg | 1080mm wide |
| P-B-1086 | 1086mm | 150mm | 0.16 | 3.3kg | 1090mm wide |
| P-B-1096 | 1096mm | 150mm | 0.16 | 3.3kg | 1100mm wide |
| P-B-1106 | 1106mm | 150mm | 0.17 | 3.3kg | 1110mm wide |
| P-B-1116 | 1116mm | 150mm | 0.17 | 3.3kg | 1120mm wide |
| P-B-1126 | 1126mm | 150mm | 0.17 | 3.4kg | 1130mm wide |
| P-B-1136 | 1136mm | 150mm | 0.17 | 3.4kg | 1140mm wide |
| P-B-1146 | 1146mm | 150mm | 0.17 | 3.4kg | 1150mm wide |
| P-B-1156 | 1156mm | 150mm | 0.17 | 3.5kg | 1160mm wide |
| P-B-1166 | 1166mm | 150mm | 0.17 | 3.5kg | 1170mm wide |
| P-B-1176 | 1176mm | 150mm | 0.17 | 3.5kg | 1180mm wide |
| P-B-1186 | 1186mm | 150mm | 0.18 | 3.6kg | 1190mm wide |
| P-B-1196 | 1196mm | 150mm | 0.18 | 3.6kg | 1200mm wide |
| P-B-1206 | 1206mm | 150mm | 0.18 | 3.6kg | 1210mm wide |
| P-B-1216 | 1216mm | 150mm | 0.18 | 3.6kg | 1220mm wide |
| P-B-1226 | 1226mm | 150mm | 0.18 | 3.7kg | 1230mm wide |
| P-B-1236 | 1236mm | 150mm | 0.18 | 3.7kg | 1240mm wide |



BATH SCREENS



Trilogy pivot bath screen

1500mm H x 850mm W

Bright polish finish

Order Code: TSB-0850-P

- 6mm clear toughened glass includes stylish rounded top corner
- Aluminium pivot against wall allows 25mm width adjustment (from 850mm to 875mm)
- Innovative design feature enables easy adjustment for out of square walls
- Left or right handing to suit bath
- Inwards and outwards swinging
- Includes drip seal to bath
- Complete kit in a box with heavy duty cardboard box packing, ideal for trade users, retail stocking or freighting

Inner & outer
swinging
door

6mm glass

Purity Showerscreens® bath screen

1500mm H x 750mm W

Bright polish finish

Order Code: P-BS-0750

- 10mm clear grade "A" toughened glass
- 1mm radius corners
- Panels are individually cardboard boxed for protection
- Fixed panel provides on trend minimalist finish
- Use suitable brace with bath screen panel

Purity Showerscreens® bath screen – NARROW REED

1500mm H x 750mm W

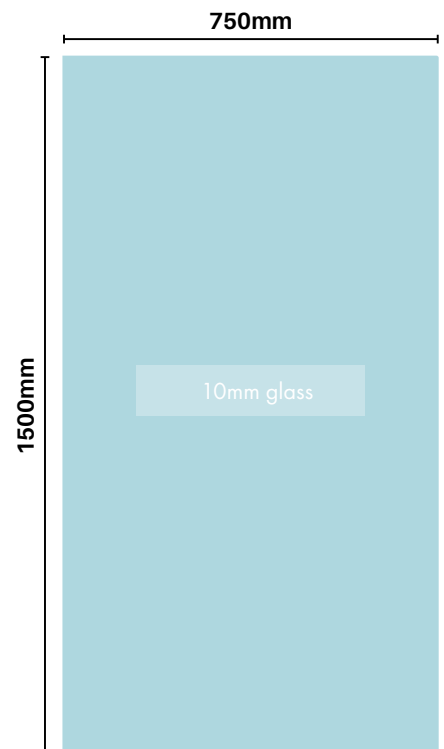
Narrow Reed finish

Order Code: P-BS-NR-0750

- 10mm reeded grade "A" toughened glass
- 1mm radius corners
- Panels are individually cardboard boxed for protection
- Fixed panel provides on trend minimalist finish
- Use suitable brace with bath screen panel



NARROW REED
NOW AVAILABLE!





INTRODUCTION – SCREEN STYLES

Front only

Fixed Panel

Single panel affixed to wall
Minimalist and effective
Refer P62-63 for configurations



Front only

Hinge & Door Panel

Hinge panel with a door between 2 walls
Refer P66-67 for configurations



Front only

Door & Fixed Panel

Door panel plus a fixed panel between 2 walls
Refer P68-69 for configurations



Front only

Hinge & Door Fixed

Hinge panel & door panel leading into a fixed panel between 2 walls
Refer P70-78 for configurations
(configuration also contemplates a return panel – refer P79)





INTRODUCTION – SCREEN STYLES

Front & return

Hinge + Door + Return

Hinge panel & door with a return panel

Very common frameless glass shower configuration

Refer P80-81 for configurations





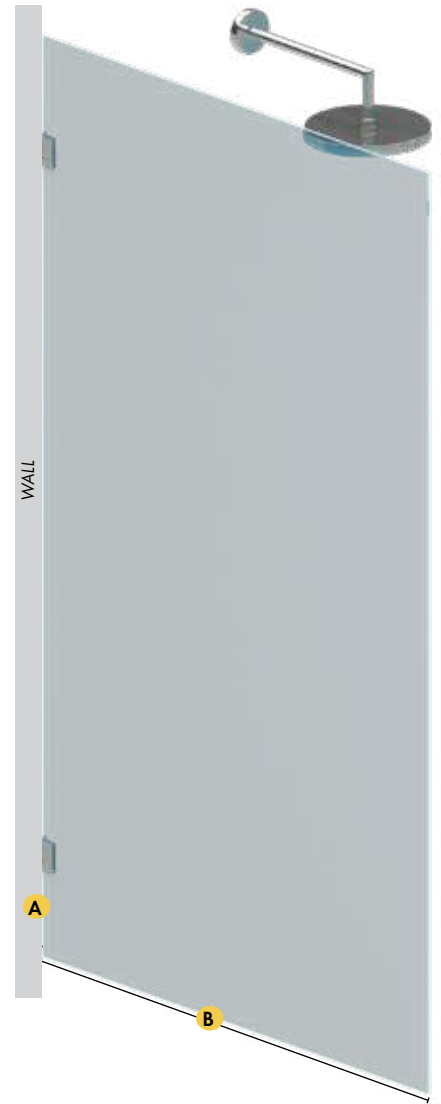
PURITY FIXED PANEL CONFIGURATIONS

Overview

Single panel showerscreens are growing in popularity as a simple and stylish solution for bathrooms.

Select from a large range of fixed panels as detailed below. To provide extra rigidity to panels, a stabilizer arm and/or glass shelf must be installed.

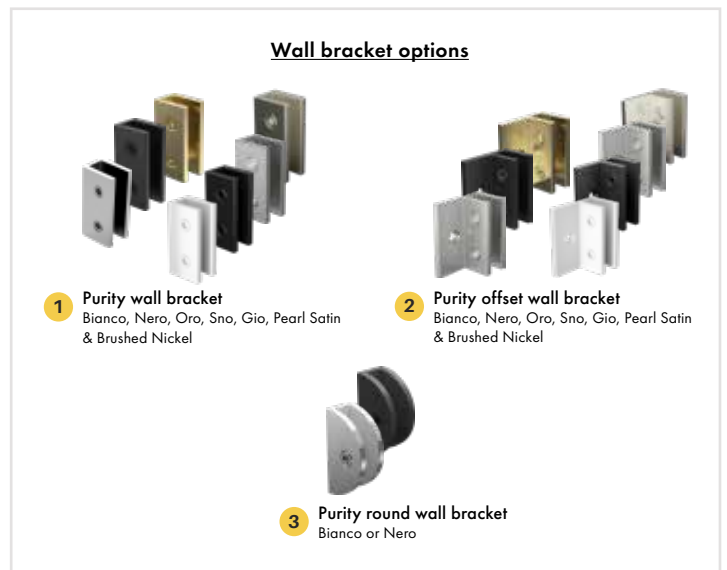
- 10mm thick clear toughened
- 1 mm radius corners
- Individually boxed panels
- Flat polished edges



- A** BRACKET OR CHANNEL GAP (MM)
- B** GLASS FIXED PANEL WIDTH (MM)

USING WALL BRACKETS

| A | BRACKET GAP (MM) | B | GLASS FIXED PANEL WIDTH (MM) | OVERALL WIDTH (MM) |
|---|------------------|---|------------------------------|--------------------|
| 3 | 197 | | | 200mm |
| 3 | 297 | | | 300mm |
| 3 | 397 | | | 400mm |
| 3 | 497 | | | 500mm |
| 3 | 597 | | | 600mm |
| 3 | 697 | | | 700mm |
| 3 | 797 | | | 800mm |
| 3 | 847 | | | 850mm |
| 3 | 872 | | | 875mm |
| 3 | 897 | | | 900mm |
| 3 | 922 | | | 925mm |
| 3 | 947 | | | 950mm |
| 3 | 972 | | | 975mm |
| 3 | 997 | | | 1000mm |
| 3 | 1022 | | | 1025mm |
| 3 | 1047 | | | 1050mm |
| 3 | 1097 | | | 1100mm |
| 3 | 1147 | | | 1150mm |
| 3 | 1197 | | | 1200mm |
| 3 | 1297 | | | 1300mm |
| 3 | 1397 | | | 1400mm |



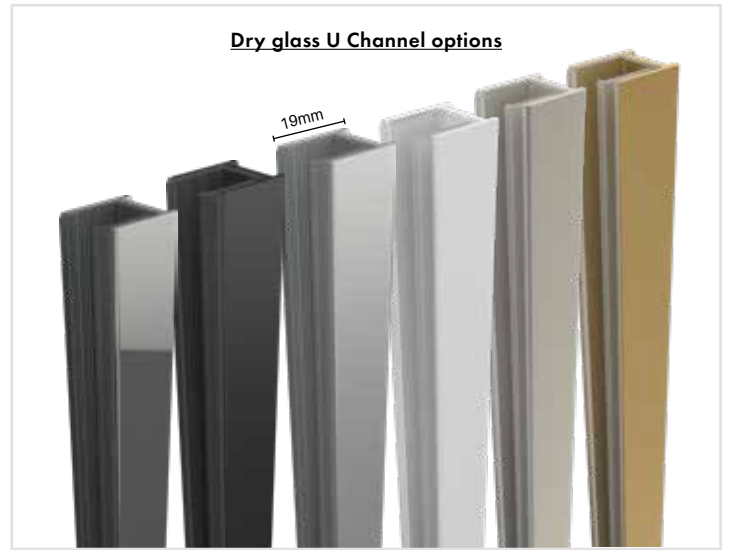


PURITY FIXED PANEL CONFIGURATIONS

USING PURITY DRY GLASS U CHANNEL

| A CHANNEL GAP (MM) | B GLASS FIXED PANEL WIDTH (MM) | OVERALL WIDTH (MM) |
|--------------------|--------------------------------|--------------------|
| 10 | 197 | 207-210mm |
| 10 | 297 | 307-310mm |
| 10 | 397 | 407-410mm |
| 10 | 497 | 507-510mm |
| 10 | 597 | 607-610mm |
| 10 | 697 | 707-710mm |
| 10 | 797 | 807-810mm |
| 10 | 847 | 857-860mm |
| 10 | 872 | 882-885mm |
| 10 | 897 | 907-910mm |
| 10 | 922 | 932-935mm |
| 10 | 947 | 957-960mm |
| 10 | 972 | 982-985mm |
| 10 | 997 | 1007-1010mm |
| 10 | 1022 | 1032-1035mm |
| 10 | 1047 | 1057-1060mm |
| 10 | 1097 | 1107-1110mm |
| 10 | 1147 | 1157-1160mm |
| 10 | 1197 | 1207-1210mm |
| 10 | 1297 | 1307-1310mm |
| 10 | 1397 | 1407-1410mm |

U channel allows up to 3mm adjustment in width inside of channel



USING PURITY DRY GLASS "EXTENDED" U CHANNEL

| A EXTENDED CHANNEL GAP (MM) | B GLASS FIXED PANEL WIDTH (MM) | OVERALL WIDTH (MM) |
|-----------------------------|--------------------------------|--------------------|
| 10-25 | 197 | 207-222mm |
| 10-25 | 297 | 307-322mm |
| 10-25 | 397 | 407-422mm |
| 10-25 | 497 | 507-522mm |
| 10-25 | 597 | 607-622mm |
| 10-25 | 697 | 707-722mm |
| 10-25 | 797 | 807-822mm |
| 10-25 | 847 | 857-872mm |
| 10-25 | 872 | 882-897mm |
| 10-25 | 897 | 907-922mm |
| 10-25 | 922 | 932-947mm |
| 10-25 | 947 | 957-972mm |
| 10-25 | 972 | 982-997mm |
| 10-25 | 997 | 1007-1022mm |
| 10-25 | 1022 | 1032-1047mm |
| 10-25 | 1047 | 1057-1072mm |
| 10-25 | 1097 | 1107-1122mm |
| 10-25 | 1147 | 1157-1172mm |
| 10-25 | 1197 | 1207-1222mm |
| 10-25 | 1297 | 1307-1322mm |
| 10-25 | 1397 | 1407-1422mm |

Extended U channel allows from 10mm up to 25mm gap spacing from wall.
Refer P47 for more information





NARROW REED INLINE CONFIGURATIONS

Overview

Narrow Reed Glass diffuses light perfectly, transferring light and offering you the privacy you desire.

The timeless narrow reed design gives you a nod to old-world, recreated in a modern sophisticated new design.

TRADE TIP: The ribbed surface of the glass is installed to the outside of the shower recess.

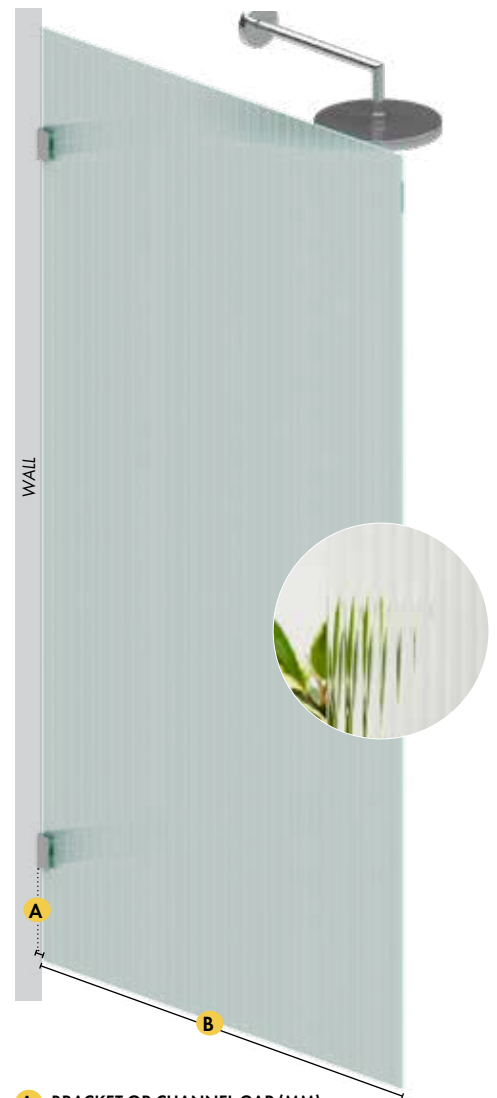
10mm thick toughened narrow reeded

Grade "A" toughened glass

1 mm radius corners

Individually boxed panels

Flat polished edges



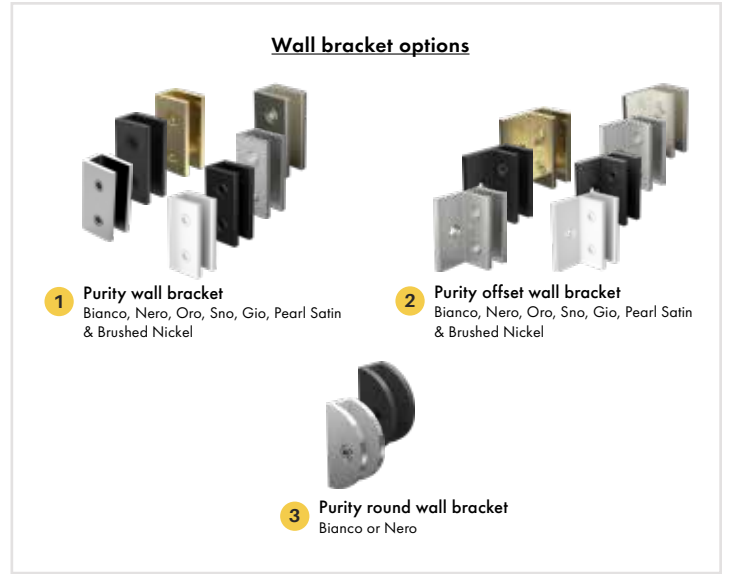
- A** BRACKET OR CHANNEL GAP (MM)
- B** GLASS FIXED PANEL WIDTH (MM)



NARROW REED INLINE CONFIGURATIONS

USING WALL BRACKETS

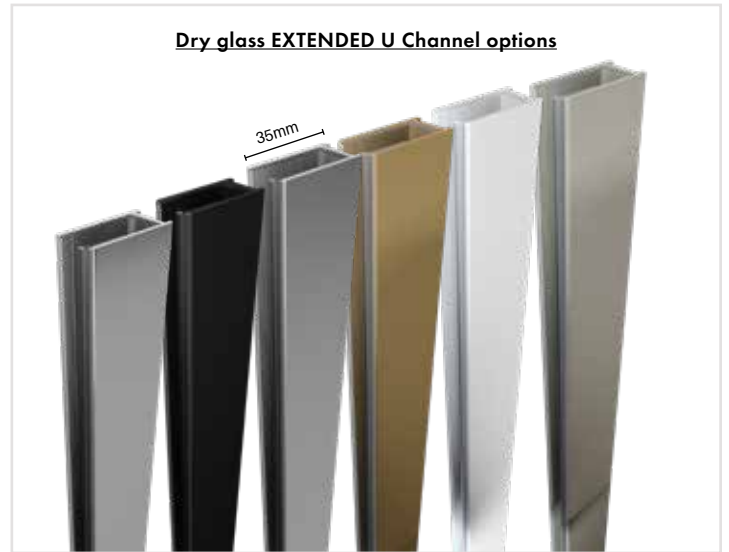
| A | BRACKET GAP (MM) | B | GLASS FIXED PANEL WIDTH (MM) | OVERALL WIDTH (MM) |
|---|------------------|---|------------------------------|--------------------|
| | 3 | | 897 | 900mm |
| | 3 | | 997 | 1000mm |
| | 3 | | 1197 | 1200mm |



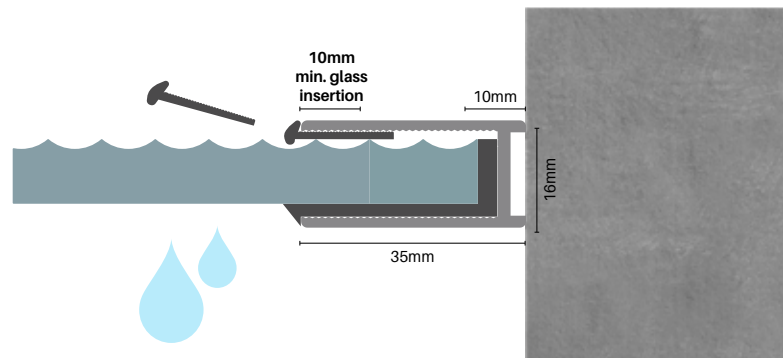
USING PURITY DRY GLASS "EXTENDED" U CHANNEL

| A | CHANNEL GAP (MM) | B | GLASS FIXED PANEL WIDTH (MM) | OVERALL WIDTH (MM) |
|---|------------------|---|------------------------------|--------------------|
| | 10-25 | | 897 | 907-922mm |
| | 10-25 | | 997 | 1007-1022mm |
| | 10-25 | | 1197 | 1207-1222mm |

** extended U channel allows from 10mm up to 25mm gap spacing from wall
Refer P47 for more information



IMPORTANT: The ribbed surface of the glass is to be installed to the outside of the shower recess.



TRADE TIP: Temporarily hold the L-shape rubber in place with tape to assist with glazing the 10mm glass panel.



HINGE PANEL & DOOR CONFIGURATIONS

Overview

Enclosed shower areas with a hinge panel & door, for a secluded bathroom solution between walls.

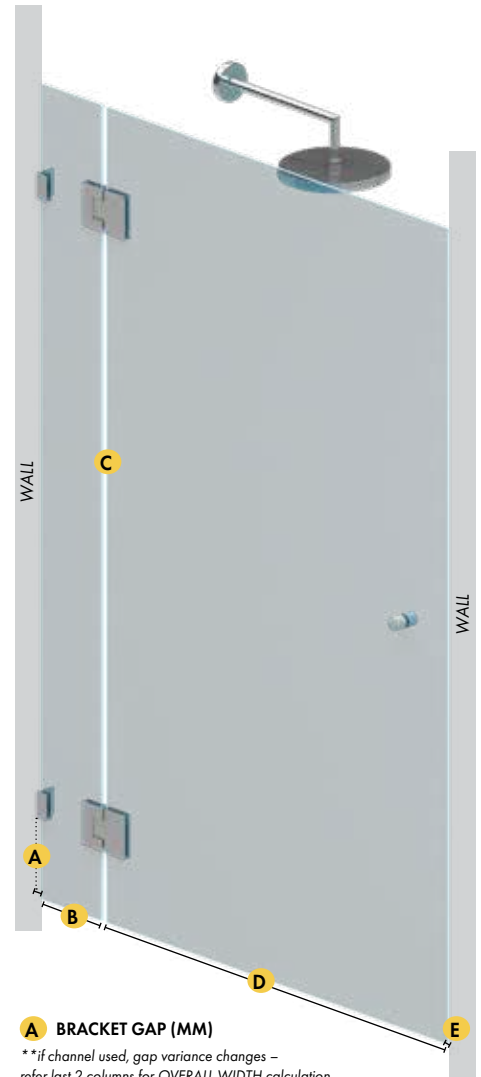
This guide outlines the sizes available when using our range of shower doors and hinge panels.

10mm thick clear toughened

1 mm radius corners

Individually boxed panels

Flat polished edges



- A** BRACKET GAP (MM)
***if channel used, gap variance changes – refer last 2 columns for OVERALL WIDTH calculation*
- B** GLASS HINGE PANEL WIDTH (MM)
- C** DOOR HINGE GAP (MM)
- D** GLASS DOOR PANEL WIDTH (MM)
- E** LEADING EDGE GAP (MM)



HINGE PANEL & DOOR CONFIGURATIONS

| USING WALL BRACKETS | | | | | USING WALL BRACKET | USING DRY GLAZE U CHANNEL | USING EXTENDED DRY GLAZE U CHANNEL |
|---------------------|------------------------------|---------------------|-----------------------------|-----------------------|--------------------|---|--|
| A | B | C | D | E | OVERALL WIDTH (MM) | <i>If using dry glaze U channel instead of wall brackets, OVERALL WIDTH becomes</i> | <i>If using "EXTENDED" dry glaze U channel instead of wall brackets, OVERALL WIDTH range becomes</i> |
| BRACKET GAP (MM) | GLASS HINGE PANEL WIDTH (MM) | DOOR HINGE GAP (MM) | GLASS DOOR PANEL WIDTH (MM) | LEADING EDGE GAP (MM) | | | |
| 3 | 229 | 5 | 600 | 3 | 840mm | 847-850mm | 847-862mm |
| 3 | 229 | 5 | 610 | 3 | 850mm | 857-860mm | 857-872mm |
| 3 | 229 | 5 | 620 | 3 | 860mm | 867-870mm | 867-882mm |
| 3 | 229 | 5 | 630 | 3 | 870mm | 877-880mm | 877-892mm |
| 3 | 229 | 5 | 640 | 3 | 880mm | 887-890mm | 887-902mm |
| 3 | 279 | 5 | 600 | 3 | 890mm | 897-900mm | 897-912mm |
| 3 | 279 | 5 | 610 | 3 | 900mm | 907-910mm | 907-922mm |
| 3 | 279 | 5 | 620 | 3 | 910mm | 917-920mm | 917-932mm |
| 3 | 279 | 5 | 630 | 3 | 920mm | 927-930mm | 927-942mm |
| 3 | 279 | 5 | 640 | 3 | 930mm | 937-940mm | 937-952mm |
| 3 | 329 | 5 | 600 | 3 | 940mm | 947-950mm | 947-962mm |
| 3 | 329 | 5 | 610 | 3 | 950mm | 957-960mm | 957-972mm |
| 3 | 329 | 5 | 620 | 3 | 960mm | 967-970mm | 967-982mm |
| 3 | 329 | 5 | 630 | 3 | 970mm | 977-980mm | 977-992mm |
| 3 | 329 | 5 | 640 | 3 | 980mm | 987-990mm | 987-1002mm |
| 3 | 379 | 5 | 600 | 3 | 990mm | 997-1000mm | 997-1012mm |
| 3 | 379 | 5 | 610 | 3 | 1000mm | 1007-1010mm | 1007-1022mm |
| 3 | 379 | 5 | 620 | 3 | 1010mm | 1017-1020mm | 1017-1032mm |
| 3 | 379 | 5 | 630 | 3 | 1020mm | 1027-1030mm | 1027-1042mm |
| 3 | 379 | 5 | 640 | 3 | 1030mm | 1037-1040mm | 1037-1052mm |
| 3 | 429 | 5 | 600 | 3 | 1040mm | 1047-1050mm | 1047-1062mm |
| 3 | 429 | 5 | 610 | 3 | 1050mm | 1057-1060mm | 1057-1072mm |
| 3 | 429 | 5 | 620 | 3 | 1060mm | 1067-1070mm | 1067-1082mm |
| 3 | 429 | 5 | 630 | 3 | 1070mm | 1077-1080mm | 1077-1092mm |
| 3 | 429 | 5 | 640 | 3 | 1080mm | 1087-1090mm | 1087-1102mm |
| 3 | 479 | 5 | 600 | 3 | 1090mm | 1097-1100mm | 1097-1112mm |
| 3 | 479 | 5 | 610 | 3 | 1100mm | 1107-1110mm | 1107-1122mm |
| 3 | 479 | 5 | 620 | 3 | 1110mm | 1117-1120mm | 1117-1132mm |
| 3 | 479 | 5 | 630 | 3 | 1120mm | 1127-1130mm | 1127-1142mm |
| 3 | 479 | 5 | 640 | 3 | 1130mm | 1137-1140mm | 1137-1152mm |
| 3 | 529 | 5 | 600 | 3 | 1140mm | 1147-1150mm | 1147-1162mm |
| 3 | 529 | 5 | 610 | 3 | 1150mm | 1157-1160mm | 1157-1172mm |
| 3 | 529 | 5 | 620 | 3 | 1160mm | 1167-1170mm | 1167-1182mm |
| 3 | 529 | 5 | 630 | 3 | 1170mm | 1177-1180mm | 1177-1192mm |
| 3 | 529 | 5 | 640 | 3 | 1180mm | 1187-1190mm | 1187-1202mm |
| 3 | 579 | 5 | 600 | 3 | 1190mm | 1197-1200mm | 1197-1212mm |
| 3 | 579 | 5 | 610 | 3 | 1200mm | 1207-1210mm | 1207-1222mm |
| 3 | 579 | 5 | 620 | 3 | 1210mm | 1217-1220mm | 1217-1232mm |
| 3 | 579 | 5 | 630 | 3 | 1220mm | 1227-1230mm | 1227-1242mm |
| 3 | 579 | 5 | 640 | 3 | 1230mm | 1237-1240mm | 1237-1252mm |

Wall bracket options

- 1 Purity wall bracket**
Bianco, Nero, Oro, Sno, Gio, Pearl Satin & Brushed Nickel
- 2 Purity offset wall bracket**
Bianco, Nero, Oro, Sno, Gio, Pearl Satin & Brushed Nickel
- 3 Purity round wall bracket**
Bianco or Nero

Dry glass U Channel options

Dry glass extended U Channel options



DOOR & FIXED PANEL CONFIGURATIONS

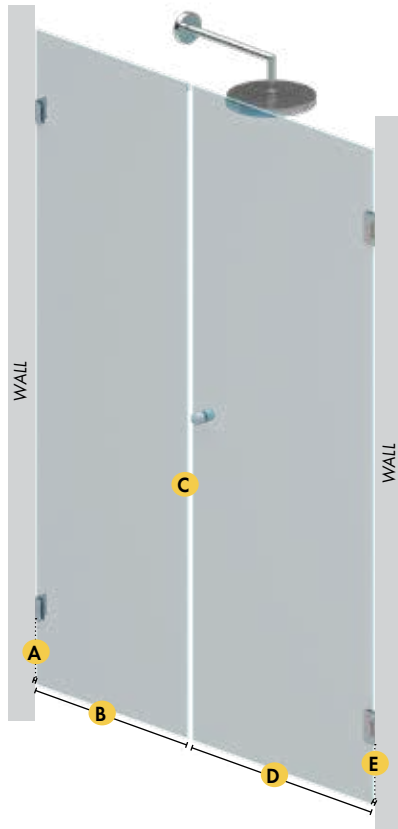
Overview

A fixed panel with a hinged door is ideal for wider inline shower openings.

This guide outlines the sizes available when using our range of fixed panels and shower doors.

- 10mm thick clear toughened
- 1mm radius corners
- Individually boxed panels
- Flat polished edges

- A** BRACKET GAP (MM)
**if channel used, gap variance changes – refer last 2 columns for OVERALL WIDTH calculation
- B** GLASS FIXED PANEL WIDTH (MM)
- C** GAP (MM)
- D** GLASS DOOR PANEL WIDTH (MM)
- E** HINGE GAP (MM)



USING WALL BRACKET USING DRY GLAZE U CHANNEL USING EXTENDED DRY GLAZE U CHANNEL

| A | B | C | D | E | OVERALL WIDTH (MM) | <i>If using dry glaze U channel instead of wall brackets, OVERALL WIDTH becomes</i> | <i>If using "EXTENDED" dry glaze U channel instead of wall brackets, OVERALL WIDTH range becomes</i> |
|------------------|------------------------------|----------|-----------------------------|----------------|--------------------|---|--|
| BRACKET GAP (MM) | GLASS FIXED PANEL WIDTH (MM) | GAP (MM) | GLASS DOOR PANEL WIDTH (MM) | HINGE GAP (MM) | | | |
| 3 | 197 | 3 | 600 | 9 | 812mm | 819-822mm | 819-834mm |
| 3 | 197 | 3 | 610 | 9 | 822mm | 829-832mm | 829-844mm |
| 3 | 197 | 3 | 620 | 9 | 832mm | 839-842mm | 839-854mm |
| 3 | 197 | 3 | 630 | 9 | 842mm | 849-852mm | 849-864mm |
| 3 | 197 | 3 | 640 | 9 | 852mm | 859-862mm | 859-874mm |
| 3 | 297 | 3 | 600 | 9 | 912mm | 919-922mm | 919-934mm |
| 3 | 297 | 3 | 610 | 9 | 922mm | 929-932mm | 929-944mm |
| 3 | 297 | 3 | 620 | 9 | 932mm | 939-942mm | 939-954mm |
| 3 | 297 | 3 | 630 | 9 | 942mm | 949-952mm | 949-964mm |
| 3 | 297 | 3 | 640 | 9 | 952mm | 959-962mm | 959-974mm |
| 3 | 397 | 3 | 600 | 9 | 1012mm | 1019-1022mm | 1019-1034mm |
| 3 | 397 | 3 | 610 | 9 | 1022mm | 1029-1032mm | 1029-1044mm |
| 3 | 397 | 3 | 620 | 9 | 1032mm | 1039-1042mm | 1039-1054mm |
| 3 | 397 | 3 | 630 | 9 | 1042mm | 1049-1052mm | 1049-1064mm |
| 3 | 397 | 3 | 640 | 9 | 1052mm | 1059-1062mm | 1059-1074mm |
| 3 | 497 | 3 | 600 | 9 | 1112mm | 1119-1122mm | 1119-1134mm |
| 3 | 497 | 3 | 610 | 9 | 1122mm | 1129-1132mm | 1129-1144mm |
| 3 | 497 | 3 | 620 | 9 | 1132mm | 1139-1142mm | 1139-1154mm |
| 3 | 497 | 3 | 630 | 9 | 1142mm | 1149-1152mm | 1149-1164mm |
| 3 | 497 | 3 | 640 | 9 | 1152mm | 1159-1162mm | 1159-1174mm |
| 3 | 597 | 3 | 600 | 9 | 1212mm | 1219-1222mm | 1219-1234mm |
| 3 | 597 | 3 | 610 | 9 | 1222mm | 1229-1232mm | 1229-1244mm |
| 3 | 597 | 3 | 620 | 9 | 1232mm | 1239-1242mm | 1239-1254mm |
| 3 | 597 | 3 | 630 | 9 | 1242mm | 1249-1252mm | 1249-1264mm |
| 3 | 597 | 3 | 640 | 9 | 1252mm | 1259-1262mm | 1259-1274mm |
| 3 | 697 | 3 | 600 | 9 | 1312mm | 1319-1322mm | 1319-1334mm |
| 3 | 697 | 3 | 610 | 9 | 1322mm | 1329-1332mm | 1329-1344mm |
| 3 | 697 | 3 | 620 | 9 | 1332mm | 1339-1342mm | 1339-1354mm |
| 3 | 697 | 3 | 630 | 9 | 1342mm | 1349-1352mm | 1349-1364mm |
| 3 | 697 | 3 | 640 | 9 | 1352mm | 1359-1362mm | 1359-1374mm |
| 3 | 797 | 3 | 600 | 9 | 1412mm | 1419-1422mm | 1419-1434mm |
| 3 | 797 | 3 | 610 | 9 | 1422mm | 1429-1432mm | 1429-1444mm |
| 3 | 797 | 3 | 620 | 9 | 1432mm | 1439-1442mm | 1439-1454mm |
| 3 | 797 | 3 | 630 | 9 | 1442mm | 1449-1452mm | 1449-1464mm |

| A | B | C | D | E | | | |
|---|------|---|-----|---|--------|-------------|-------------|
| 3 | 797 | 3 | 640 | 9 | 1452mm | 1459-1462mm | 1459-1474mm |
| 3 | 847 | 3 | 600 | 9 | 1462mm | 1469-1472mm | 1469-1484mm |
| 3 | 847 | 3 | 610 | 9 | 1472mm | 1479-1482mm | 1479-1494mm |
| 3 | 847 | 3 | 620 | 9 | 1482mm | 1489-1492mm | 1489-1504mm |
| 3 | 847 | 3 | 630 | 9 | 1492mm | 1499-1502mm | 1499-1514mm |
| 3 | 847 | 3 | 640 | 9 | 1502mm | 1509-1512mm | 1509-1524mm |
| 3 | 872 | 3 | 600 | 9 | 1487mm | 1494-1497mm | 1494-1509mm |
| 3 | 872 | 3 | 610 | 9 | 1497mm | 1504-1507mm | 1504-1519mm |
| 3 | 872 | 3 | 620 | 9 | 1507mm | 1514-1517mm | 1514-1529mm |
| 3 | 872 | 3 | 630 | 9 | 1517mm | 1524-1527mm | 1524-1539mm |
| 3 | 872 | 3 | 640 | 9 | 1527mm | 1534-1537mm | 1534-1549mm |
| 3 | 897 | 3 | 600 | 9 | 1512mm | 1519-1522mm | 1519-1534mm |
| 3 | 897 | 3 | 610 | 9 | 1522mm | 1529-1532mm | 1529-1544mm |
| 3 | 897 | 3 | 620 | 9 | 1532mm | 1539-1542mm | 1539-1554mm |
| 3 | 897 | 3 | 630 | 9 | 1542mm | 1549-1552mm | 1549-1564mm |
| 3 | 897 | 3 | 640 | 9 | 1552mm | 1559-1562mm | 1559-1574mm |
| 3 | 922 | 3 | 600 | 9 | 1537mm | 1544-1547mm | 1544-1559mm |
| 3 | 922 | 3 | 610 | 9 | 1547mm | 1554-1557mm | 1554-1569mm |
| 3 | 922 | 3 | 620 | 9 | 1557mm | 1564-1567mm | 1564-1579mm |
| 3 | 922 | 3 | 630 | 9 | 1567mm | 1574-1577mm | 1574-1589mm |
| 3 | 922 | 3 | 640 | 9 | 1577mm | 1584-1587mm | 1584-1599mm |
| 3 | 947 | 3 | 600 | 9 | 1562mm | 1569-1572mm | 1569-1584mm |
| 3 | 947 | 3 | 610 | 9 | 1572mm | 1579-1582mm | 1579-1594mm |
| 3 | 947 | 3 | 620 | 9 | 1582mm | 1589-1592mm | 1589-1604mm |
| 3 | 947 | 3 | 630 | 9 | 1592mm | 1599-1602mm | 1599-1614mm |
| 3 | 947 | 3 | 640 | 9 | 1602mm | 1609-1612mm | 1609-1624mm |
| 3 | 972 | 3 | 600 | 9 | 1587mm | 1594-1597mm | 1594-1609mm |
| 3 | 972 | 3 | 610 | 9 | 1597mm | 1604-1607mm | 1604-1619mm |
| 3 | 972 | 3 | 620 | 9 | 1607mm | 1614-1617mm | 1614-1629mm |
| 3 | 972 | 3 | 630 | 9 | 1617mm | 1624-1627mm | 1624-1639mm |
| 3 | 972 | 3 | 640 | 9 | 1627mm | 1634-1637mm | 1634-1649mm |
| 3 | 997 | 3 | 600 | 9 | 1612mm | 1619-1622mm | 1619-1634mm |
| 3 | 997 | 3 | 610 | 9 | 1622mm | 1629-1632mm | 1629-1644mm |
| 3 | 997 | 3 | 620 | 9 | 1632mm | 1639-1642mm | 1639-1654mm |
| 3 | 997 | 3 | 630 | 9 | 1642mm | 1649-1652mm | 1649-1664mm |
| 3 | 997 | 3 | 640 | 9 | 1652mm | 1659-1662mm | 1659-1674mm |
| 3 | 1022 | 3 | 600 | 9 | 1637mm | 1644-1647mm | 1644-1659mm |
| 3 | 1022 | 3 | 610 | 9 | 1647mm | 1654-1657mm | 1654-1669mm |
| 3 | 1022 | 3 | 620 | 9 | 1657mm | 1664-1667mm | 1664-1679mm |
| 3 | 1022 | 3 | 630 | 9 | 1667mm | 1674-1677mm | 1674-1689mm |
| 3 | 1022 | 3 | 640 | 9 | 1677mm | 1684-1687mm | 1684-1699mm |
| 3 | 1047 | 3 | 600 | 9 | 1662mm | 1669-1672mm | 1669-1684mm |
| 3 | 1047 | 3 | 610 | 9 | 1672mm | 1679-1682mm | 1679-1694mm |
| 3 | 1047 | 3 | 620 | 9 | 1682mm | 1689-1692mm | 1689-1704mm |
| 3 | 1047 | 3 | 630 | 9 | 1692mm | 1699-1702mm | 1699-1714mm |
| 3 | 1047 | 3 | 640 | 9 | 1702mm | 1709-1712mm | 1709-1724mm |
| 3 | 1097 | 3 | 600 | 9 | 1712mm | 1719-1722mm | 1719-1734mm |
| 3 | 1097 | 3 | 610 | 9 | 1722mm | 1729-1732mm | 1729-1744mm |
| 3 | 1097 | 3 | 620 | 9 | 1732mm | 1739-1742mm | 1739-1754mm |
| 3 | 1097 | 3 | 630 | 9 | 1742mm | 1749-1752mm | 1749-1764mm |
| 3 | 1097 | 3 | 640 | 9 | 1752mm | 1759-1762mm | 1759-1774mm |
| 3 | 1147 | 3 | 600 | 9 | 1762mm | 1769-1772mm | 1769-1784mm |
| 3 | 1147 | 3 | 610 | 9 | 1772mm | 1779-1782mm | 1779-1794mm |
| 3 | 1147 | 3 | 620 | 9 | 1782mm | 1789-1792mm | 1789-1804mm |
| 3 | 1147 | 3 | 630 | 9 | 1792mm | 1799-1802mm | 1799-1814mm |
| 3 | 1147 | 3 | 640 | 9 | 1802mm | 1809-1812mm | 1809-1824mm |
| 3 | 1197 | 3 | 600 | 9 | 1812mm | 1819-1822mm | 1819-1834mm |
| 3 | 1197 | 3 | 610 | 9 | 1822mm | 1829-1832mm | 1829-1844mm |
| 3 | 1197 | 3 | 620 | 9 | 1832mm | 1839-1842mm | 1839-1854mm |
| 3 | 1197 | 3 | 630 | 9 | 1842mm | 1849-1852mm | 1849-1864mm |
| 3 | 1197 | 3 | 640 | 9 | 1852mm | 1859-1862mm | 1859-1874mm |
| 3 | 1297 | 3 | 600 | 9 | 1912mm | 1919-1922mm | 1919-1934mm |
| 3 | 1297 | 3 | 610 | 9 | 1922mm | 1929-1932mm | 1929-1944mm |
| 3 | 1297 | 3 | 620 | 9 | 1932mm | 1939-1942mm | 1939-1954mm |
| 3 | 1297 | 3 | 630 | 9 | 1942mm | 1949-1952mm | 1949-1964mm |
| 3 | 1297 | 3 | 640 | 9 | 1952mm | 1959-1962mm | 1959-1974mm |
| 3 | 1397 | 3 | 600 | 9 | 2012mm | 2019-2022mm | 2019-2034mm |
| 3 | 1397 | 3 | 610 | 9 | 2022mm | 2029-2032mm | 2029-2044mm |
| 3 | 1397 | 3 | 620 | 9 | 2032mm | 2039-2042mm | 2039-2054mm |
| 3 | 1397 | 3 | 630 | 9 | 2042mm | 2049-2052mm | 2049-2064mm |
| 3 | 1397 | 3 | 640 | 9 | 2052mm | 2059-2062mm | 2059-2074mm |



HINGE & DOOR PANEL WITH INFILL PANEL

Overview

Purity hinged door with adjacent infill panel

An INFILL/FIXED panel next to a door is another popular configuration.

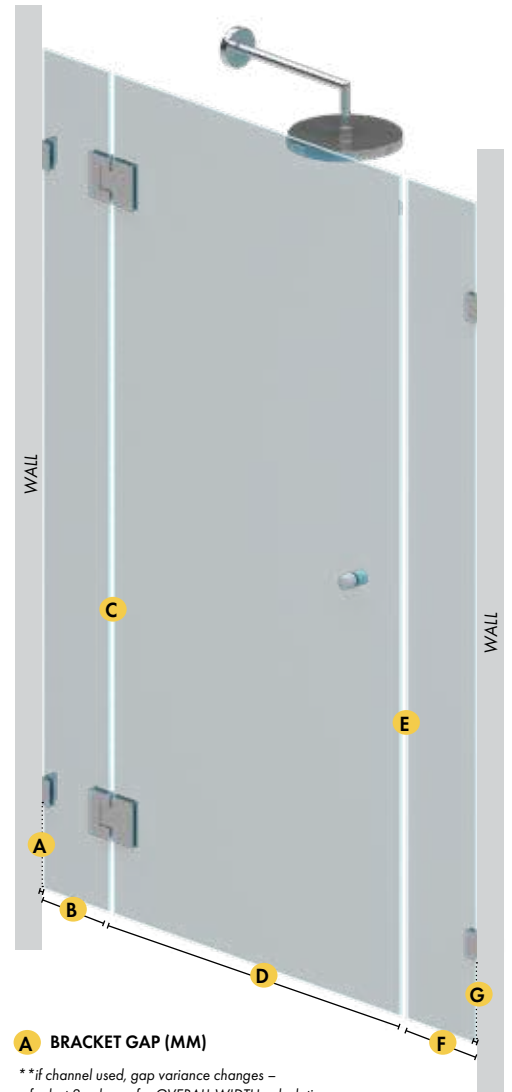
This guide outlines sizes available for in line configuration featuring a hinge panel with door and infill/fix panel.

10mm thick clear toughened

1 mm radius corners

Individually boxed panels

Flat polished edges



A BRACKET GAP (MM)

***if channel used, gap variance changes – refer last 2 columns for OVERALL WIDTH calculation*

B GLASS HINGE PANEL WIDTH (MM)

C HINGE GAP (MM)

D GLASS DOOR PANEL WIDTH (MM)

E GAP (MM)

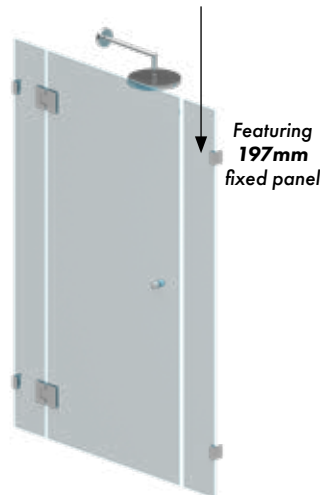
F GLASS FIXED PANEL WIDTH (MM)

G BRACKET GAP (MM)



HINGE & DOOR PANEL WITH INFILL PANEL

| B GLASS HINGE PANEL WIDTH (MM) | C HINGE GAP (MM) | D GLASS DOOR PANEL WIDTH (MM) | E GAP (MM) | F GLASS FIXED PANEL WIDTH (MM) | A & G – OPTION 1 | A & G – OPTION 2 | A & G – OPTION 3 |
|---|---------------------------|--|------------------|---|---|--|---|
| | | | | | OVERALL WIDTH (MM) <i>Using wall bracket both sides</i> | OVERALL WIDTH (MM) <i>Using U Channel both sides</i> | OVERALL WIDTH (MM) <i>Using "Extended" U Channel both sides</i> |
| 229 | 5 | 600 | 3 | 197 | 1040mm | 1054-1057mm | 1054-1074mm |
| 229 | 5 | 610 | 3 | 197 | 1050mm | 1064-1067mm | 1064-1084mm |
| 229 | 5 | 620 | 3 | 197 | 1060mm | 1074-1077mm | 1074-1094mm |
| 229 | 5 | 630 | 3 | 197 | 1070mm | 1084-1087mm | 1084-1104mm |
| 229 | 5 | 640 | 3 | 197 | 1080mm | 1094-1097mm | 1094-1114mm |
| 279 | 5 | 600 | 3 | 197 | 1090mm | 1104-1107mm | 1104-1124mm |
| 279 | 5 | 610 | 3 | 197 | 1100mm | 1114-1117mm | 1114-1134mm |
| 279 | 5 | 620 | 3 | 197 | 1110mm | 1124-1127mm | 1124-1144mm |
| 279 | 5 | 630 | 3 | 197 | 1120mm | 1134-1137mm | 1134-1154mm |
| 279 | 5 | 640 | 3 | 197 | 1130mm | 1144-1147mm | 1144-1164mm |
| 329 | 5 | 600 | 3 | 197 | 1140mm | 1154-1157mm | 1154-1174mm |
| 329 | 5 | 610 | 3 | 197 | 1150mm | 1164-1167mm | 1164-1184mm |
| 329 | 5 | 620 | 3 | 197 | 1160mm | 1174-1177mm | 1174-1194mm |
| 329 | 5 | 630 | 3 | 197 | 1170mm | 1184-1187mm | 1184-1204mm |
| 329 | 5 | 640 | 3 | 197 | 1180mm | 1194-1197mm | 1194-1214mm |
| 379 | 5 | 600 | 3 | 197 | 1190mm | 1204-1207mm | 1204-1224mm |
| 379 | 5 | 610 | 3 | 197 | 1200mm | 1214-1217mm | 1214-1234mm |
| 379 | 5 | 620 | 3 | 197 | 1210mm | 1224-1227mm | 1224-1244mm |
| 379 | 5 | 630 | 3 | 197 | 1220mm | 1234-1237mm | 1234-1254mm |
| 379 | 5 | 640 | 3 | 197 | 1230mm | 1244-1247mm | 1244-1264mm |
| 429 | 5 | 600 | 3 | 197 | 1240mm | 1254-1257mm | 1254-1274mm |
| 429 | 5 | 610 | 3 | 197 | 1250mm | 1264-1267mm | 1264-1284mm |
| 429 | 5 | 620 | 3 | 197 | 1260mm | 1274-1277mm | 1274-1294mm |
| 429 | 5 | 630 | 3 | 197 | 1270mm | 1284-1287mm | 1284-1304mm |
| 429 | 5 | 640 | 3 | 197 | 1280mm | 1294-1297mm | 1294-1314mm |
| 479 | 5 | 600 | 3 | 197 | 1290mm | 1304-1307mm | 1304-1324mm |
| 479 | 5 | 610 | 3 | 197 | 1300mm | 1314-1317mm | 1314-1334mm |
| 479 | 5 | 620 | 3 | 197 | 1310mm | 1324-1327mm | 1324-1344mm |
| 479 | 5 | 630 | 3 | 197 | 1320mm | 1334-1337mm | 1334-1354mm |
| 479 | 5 | 640 | 3 | 197 | 1330mm | 1344-1347mm | 1344-1364mm |
| 529 | 5 | 600 | 3 | 197 | 1340mm | 1354-1357mm | 1354-1374mm |
| 529 | 5 | 610 | 3 | 197 | 1350mm | 1364-1367mm | 1364-1384mm |
| 529 | 5 | 620 | 3 | 197 | 1360mm | 1374-1377mm | 1374-1394mm |
| 529 | 5 | 630 | 3 | 197 | 1370mm | 1384-1387mm | 1384-1404mm |
| 529 | 5 | 640 | 3 | 197 | 1380mm | 1394-1397mm | 1394-1414mm |
| 579 | 5 | 600 | 3 | 197 | 1390mm | 1404-1407mm | 1404-1424mm |
| 579 | 5 | 610 | 3 | 197 | 1400mm | 1414-1417mm | 1414-1434mm |
| 579 | 5 | 620 | 3 | 197 | 1410mm | 1424-1427mm | 1424-1444mm |
| 579 | 5 | 630 | 3 | 197 | 1420mm | 1434-1437mm | 1434-1454mm |
| 579 | 5 | 640 | 3 | 197 | 1430mm | 1444-1447mm | 1444-1464mm |

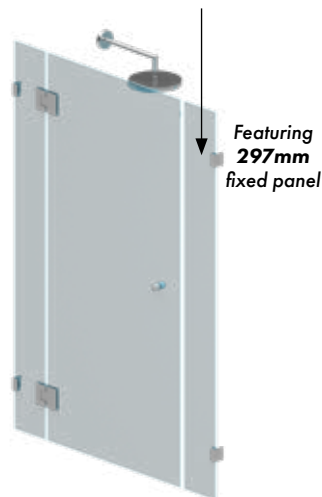


CONTINUED ON FOLLOWING PAGE...



HINGE & DOOR PANEL WITH INFILL PANEL

| B GLASS HINGE PANEL WIDTH (MM) | C HINGE GAP (MM) | D GLASS DOOR PANEL WIDTH (MM) | E GAP (MM) | F GLASS FIXED PANEL WIDTH (MM) | A & G – OPTION 1 | A & G – OPTION 2 | A & G – OPTION 3 |
|---|---------------------------|--|------------------|---|--|--|---|
| | | | | | OVERALL WIDTH (MM) <i>Using U bracket both sides</i> | OVERALL WIDTH (MM) <i>Using U Channel both sides</i> | OVERALL WIDTH (MM) <i>Using "Extended" U Channel both sides</i> |
| 229 | 5 | 600 | 3 | 297 | 1140mm | 1154-1157mm | 1154-1174mm |
| 229 | 5 | 610 | 3 | 297 | 1150mm | 1164-1167mm | 1164-1184mm |
| 229 | 5 | 620 | 3 | 297 | 1160mm | 1174-1177mm | 1174-1194mm |
| 229 | 5 | 630 | 3 | 297 | 1170mm | 1184-1187mm | 1184-1204mm |
| 229 | 5 | 640 | 3 | 297 | 1180mm | 1194-1197mm | 1194-1214mm |
| 279 | 5 | 600 | 3 | 297 | 1190mm | 1204-1207mm | 1204-1224mm |
| 279 | 5 | 610 | 3 | 297 | 1200mm | 1214-1217mm | 1214-1234mm |
| 279 | 5 | 620 | 3 | 297 | 1210mm | 1224-1227mm | 1224-1244mm |
| 279 | 5 | 630 | 3 | 297 | 1220mm | 1234-1237mm | 1234-1254mm |
| 279 | 5 | 640 | 3 | 297 | 1230mm | 1244-1247mm | 1244-1264mm |
| 329 | 5 | 600 | 3 | 297 | 1240mm | 1254-1257mm | 1254-1274mm |
| 329 | 5 | 610 | 3 | 297 | 1250mm | 1264-1267mm | 1264-1284mm |
| 329 | 5 | 620 | 3 | 297 | 1260mm | 1274-1277mm | 1274-1294mm |
| 329 | 5 | 630 | 3 | 297 | 1270mm | 1284-1287mm | 1284-1304mm |
| 329 | 5 | 640 | 3 | 297 | 1280mm | 1294-1297mm | 1294-1314mm |
| 379 | 5 | 600 | 3 | 297 | 1290mm | 1304-1307mm | 1304-1324mm |
| 379 | 5 | 610 | 3 | 297 | 1300mm | 1314-1317mm | 1314-1334mm |
| 379 | 5 | 620 | 3 | 297 | 1310mm | 1324-1327mm | 1324-1344mm |
| 379 | 5 | 630 | 3 | 297 | 1320mm | 1334-1337mm | 1334-1354mm |
| 379 | 5 | 640 | 3 | 297 | 1330mm | 1344-1347mm | 1344-1364mm |
| 429 | 5 | 600 | 3 | 297 | 1340mm | 1354-1357mm | 1354-1374mm |
| 429 | 5 | 610 | 3 | 297 | 1350mm | 1364-1367mm | 1364-1384mm |
| 429 | 5 | 620 | 3 | 297 | 1360mm | 1374-1377mm | 1374-1394mm |
| 429 | 5 | 630 | 3 | 297 | 1370mm | 1384-1387mm | 1384-1404mm |
| 429 | 5 | 640 | 3 | 297 | 1380mm | 1394-1397mm | 1394-1414mm |
| 479 | 5 | 600 | 3 | 297 | 1390mm | 1404-1407mm | 1404-1424mm |
| 479 | 5 | 610 | 3 | 297 | 1400mm | 1414-1417mm | 1414-1434mm |
| 479 | 5 | 620 | 3 | 297 | 1410mm | 1424-1427mm | 1424-1444mm |
| 479 | 5 | 630 | 3 | 297 | 1420mm | 1434-1437mm | 1434-1454mm |
| 479 | 5 | 640 | 3 | 297 | 1430mm | 1444-1447mm | 1444-1464mm |
| 529 | 5 | 600 | 3 | 297 | 1440mm | 1454-1457mm | 1454-1474mm |
| 529 | 5 | 610 | 3 | 297 | 1450mm | 1464-1467mm | 1464-1484mm |
| 529 | 5 | 620 | 3 | 297 | 1460mm | 1474-1477mm | 1474-1494mm |
| 529 | 5 | 630 | 3 | 297 | 1470mm | 1484-1487mm | 1484-1504mm |
| 529 | 5 | 640 | 3 | 297 | 1480mm | 1494-1497mm | 1494-1514mm |
| 579 | 5 | 600 | 3 | 297 | 1490mm | 1504-1507mm | 1504-1524mm |
| 579 | 5 | 610 | 3 | 297 | 1500mm | 1514-1517mm | 1514-1534mm |
| 579 | 5 | 620 | 3 | 297 | 1510mm | 1524-1527mm | 1524-1544mm |
| 579 | 5 | 630 | 3 | 297 | 1520mm | 1534-1537mm | 1534-1554mm |
| 579 | 5 | 640 | 3 | 297 | 1530mm | 1544-1547mm | 1544-1564mm |

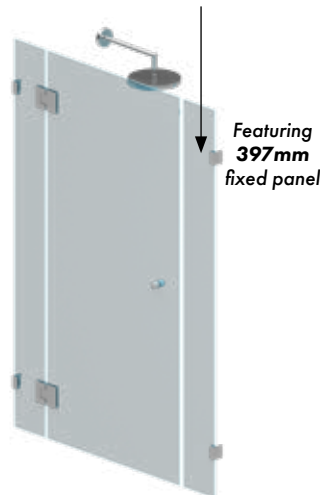


CONTINUED ON FOLLOWING PAGE...



HINGE & DOOR PANEL WITH INFILL PANEL

| B GLASS HINGE PANEL WIDTH (MM) | C HINGE GAP (MM) | D GLASS DOOR PANEL WIDTH (MM) | E GAP (MM) | F GLASS FIXED PANEL WIDTH (MM) | A & G – OPTION 1 | A & G – OPTION 2 | A & G – OPTION 3 |
|---|---------------------------|--|------------------|---|---|--|---|
| | | | | | OVERALL WIDTH (MM) <i>Using wall bracket both sides</i> | OVERALL WIDTH (MM) <i>Using U Channel both sides</i> | OVERALL WIDTH (MM) <i>Using "Extended" U Channel both sides</i> |
| 229 | 5 | 600 | 3 | 397 | 1240mm | 1254-1257mm | 1254-1274mm |
| 229 | 5 | 610 | 3 | 397 | 1250mm | 1264-1267mm | 1264-1284mm |
| 229 | 5 | 620 | 3 | 397 | 1260mm | 1274-1277mm | 1274-1294mm |
| 229 | 5 | 630 | 3 | 397 | 1270mm | 1284-1287mm | 1284-1304mm |
| 229 | 5 | 640 | 3 | 397 | 1280mm | 1294-1297mm | 1294-1314mm |
| 279 | 5 | 600 | 3 | 397 | 1290mm | 1304-1307mm | 1304-1324mm |
| 279 | 5 | 610 | 3 | 397 | 1300mm | 1314-1317mm | 1314-1334mm |
| 279 | 5 | 620 | 3 | 397 | 1310mm | 1324-1327mm | 1324-1344mm |
| 279 | 5 | 630 | 3 | 397 | 1320mm | 1334-1337mm | 1334-1354mm |
| 279 | 5 | 640 | 3 | 397 | 1330mm | 1344-1347mm | 1344-1364mm |
| 329 | 5 | 600 | 3 | 397 | 1340mm | 1354-1357mm | 1354-1374mm |
| 329 | 5 | 610 | 3 | 397 | 1350mm | 1364-1367mm | 1364-1384mm |
| 329 | 5 | 620 | 3 | 397 | 1360mm | 1374-1377mm | 1374-1394mm |
| 329 | 5 | 630 | 3 | 397 | 1370mm | 1384-1387mm | 1384-1404mm |
| 329 | 5 | 640 | 3 | 397 | 1380mm | 1394-1397mm | 1394-1414mm |
| 379 | 5 | 600 | 3 | 397 | 1390mm | 1404-1407mm | 1404-1424mm |
| 379 | 5 | 610 | 3 | 397 | 1400mm | 1414-1417mm | 1414-1434mm |
| 379 | 5 | 620 | 3 | 397 | 1410mm | 1424-1427mm | 1424-1444mm |
| 379 | 5 | 630 | 3 | 397 | 1420mm | 1434-1437mm | 1434-1454mm |
| 379 | 5 | 640 | 3 | 397 | 1430mm | 1444-1447mm | 1444-1464mm |
| 429 | 5 | 600 | 3 | 397 | 1440mm | 1454-1457mm | 1454-1474mm |
| 429 | 5 | 610 | 3 | 397 | 1450mm | 1464-1467mm | 1464-1484mm |
| 429 | 5 | 620 | 3 | 397 | 1460mm | 1474-1477mm | 1474-1494mm |
| 429 | 5 | 630 | 3 | 397 | 1470mm | 1484-1487mm | 1484-1504mm |
| 429 | 5 | 640 | 3 | 397 | 1480mm | 1494-1497mm | 1494-1514mm |
| 479 | 5 | 600 | 3 | 397 | 1490mm | 1504-1507mm | 1504-1524mm |
| 479 | 5 | 610 | 3 | 397 | 1500mm | 1514-1517mm | 1514-1534mm |
| 479 | 5 | 620 | 3 | 397 | 1510mm | 1524-1527mm | 1524-1544mm |
| 479 | 5 | 630 | 3 | 397 | 1520mm | 1534-1537mm | 1534-1554mm |
| 479 | 5 | 640 | 3 | 397 | 1530mm | 1544-1547mm | 1544-1564mm |
| 529 | 5 | 600 | 3 | 397 | 1540mm | 1554-1557mm | 1554-1574mm |
| 529 | 5 | 610 | 3 | 397 | 1550mm | 1564-1567mm | 1564-1584mm |
| 529 | 5 | 620 | 3 | 397 | 1560mm | 1574-1577mm | 1574-1594mm |
| 529 | 5 | 630 | 3 | 397 | 1570mm | 1584-1587mm | 1584-1604mm |
| 529 | 5 | 640 | 3 | 397 | 1580mm | 1594-1597mm | 1594-1614mm |
| 579 | 5 | 600 | 3 | 397 | 1590mm | 1604-1607mm | 1604-1624mm |
| 579 | 5 | 610 | 3 | 397 | 1600mm | 1614-1617mm | 1614-1634mm |
| 579 | 5 | 620 | 3 | 397 | 1610mm | 1624-1627mm | 1624-1644mm |
| 579 | 5 | 630 | 3 | 397 | 1620mm | 1634-1637mm | 1634-1654mm |
| 579 | 5 | 640 | 3 | 397 | 1630mm | 1644-1647mm | 1644-1664mm |

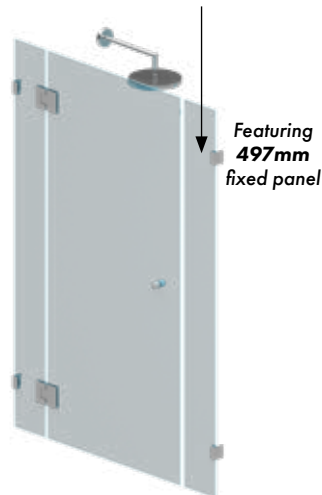


CONTINUED ON FOLLOWING PAGE...



HINGE & DOOR PANEL WITH INFILL PANEL

| B GLASS HINGE PANEL WIDTH (MM) | C HINGE GAP (MM) | D GLASS DOOR PANEL WIDTH (MM) | E GAP (MM) | F GLASS FIXED PANEL WIDTH (MM) | A & G – OPTION 1 | A & G – OPTION 2 | A & G – OPTION 3 |
|---|---------------------------|--|------------------|---|---|--|---|
| | | | | | OVERALL WIDTH (MM) <i>Using wall bracket both sides</i> | OVERALL WIDTH (MM) <i>Using U Channel both sides</i> | OVERALL WIDTH (MM) <i>Using "Extended" U Channel both sides</i> |
| 229 | 5 | 600 | 3 | 497 | 1340mm | 1354-1357mm | 1354-1374mm |
| 229 | 5 | 610 | 3 | 497 | 1350mm | 1364-1367mm | 1364-1384mm |
| 229 | 5 | 620 | 3 | 497 | 1360mm | 1374-1377mm | 1374-1394mm |
| 229 | 5 | 630 | 3 | 497 | 1370mm | 1384-1387mm | 1384-1404mm |
| 229 | 5 | 640 | 3 | 497 | 1380mm | 1394-1397mm | 1394-1414mm |
| 279 | 5 | 600 | 3 | 497 | 1390mm | 1404-1407mm | 1404-1424mm |
| 279 | 5 | 610 | 3 | 497 | 1400mm | 1414-1417mm | 1414-1434mm |
| 279 | 5 | 620 | 3 | 497 | 1410mm | 1424-1427mm | 1424-1444mm |
| 279 | 5 | 630 | 3 | 497 | 1420mm | 1434-1437mm | 1434-1454mm |
| 279 | 5 | 640 | 3 | 497 | 1430mm | 1444-1447mm | 1444-1464mm |
| 329 | 5 | 600 | 3 | 497 | 1440mm | 1454-1457mm | 1454-1474mm |
| 329 | 5 | 610 | 3 | 497 | 1450mm | 1464-1467mm | 1464-1484mm |
| 329 | 5 | 620 | 3 | 497 | 1460mm | 1474-1477mm | 1474-1494mm |
| 329 | 5 | 630 | 3 | 497 | 1470mm | 1484-1487mm | 1484-1504mm |
| 329 | 5 | 640 | 3 | 497 | 1480mm | 1494-1497mm | 1494-1514mm |
| 379 | 5 | 600 | 3 | 497 | 1490mm | 1504-1507mm | 1504-1524mm |
| 379 | 5 | 610 | 3 | 497 | 1500mm | 1514-1517mm | 1514-1534mm |
| 379 | 5 | 620 | 3 | 497 | 1510mm | 1524-1527mm | 1524-1544mm |
| 379 | 5 | 630 | 3 | 497 | 1520mm | 1534-1537mm | 1534-1554mm |
| 379 | 5 | 640 | 3 | 497 | 1530mm | 1544-1547mm | 1544-1564mm |
| 429 | 5 | 600 | 3 | 497 | 1540mm | 1554-1557mm | 1554-1574mm |
| 429 | 5 | 610 | 3 | 497 | 1550mm | 1564-1567mm | 1564-1584mm |
| 429 | 5 | 620 | 3 | 497 | 1560mm | 1574-1577mm | 1574-1594mm |
| 429 | 5 | 630 | 3 | 497 | 1570mm | 1584-1587mm | 1584-1604mm |
| 429 | 5 | 640 | 3 | 497 | 1580mm | 1594-1597mm | 1594-1614mm |
| 479 | 5 | 600 | 3 | 497 | 1590mm | 1604-1607mm | 1604-1624mm |
| 479 | 5 | 610 | 3 | 497 | 1600mm | 1614-1617mm | 1614-1634mm |
| 479 | 5 | 620 | 3 | 497 | 1610mm | 1624-1627mm | 1624-1644mm |
| 479 | 5 | 630 | 3 | 497 | 1620mm | 1634-1637mm | 1634-1654mm |
| 479 | 5 | 640 | 3 | 497 | 1630mm | 1644-1647mm | 1644-1664mm |
| 529 | 5 | 600 | 3 | 497 | 1640mm | 1654-1657mm | 1654-1674mm |
| 529 | 5 | 610 | 3 | 497 | 1650mm | 1664-1667mm | 1664-1684mm |
| 529 | 5 | 620 | 3 | 497 | 1660mm | 1674-1677mm | 1674-1694mm |
| 529 | 5 | 630 | 3 | 497 | 1670mm | 1684-1687mm | 1684-1704mm |
| 529 | 5 | 640 | 3 | 497 | 1680mm | 1694-1697mm | 1694-1714mm |
| 579 | 5 | 600 | 3 | 497 | 1690mm | 1704-1707mm | 1704-1724mm |
| 579 | 5 | 610 | 3 | 497 | 1700mm | 1714-1717mm | 1714-1734mm |
| 579 | 5 | 620 | 3 | 497 | 1710mm | 1724-1727mm | 1724-1744mm |
| 579 | 5 | 630 | 3 | 497 | 1720mm | 1734-1737mm | 1734-1754mm |
| 579 | 5 | 640 | 3 | 497 | 1730mm | 1744-1747mm | 1744-1764mm |

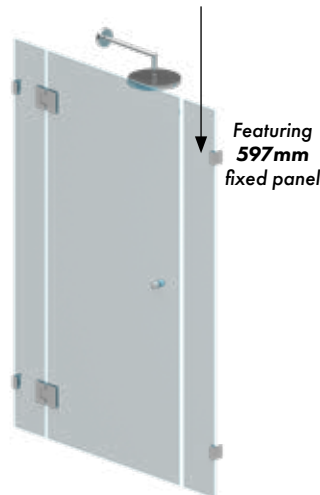


CONTINUED ON FOLLOWING PAGE...



HINGE & DOOR PANEL WITH INFILL PANEL

| B GLASS HINGE PANEL WIDTH (MM) | C HINGE GAP (MM) | D GLASS DOOR PANEL WIDTH (MM) | E GAP (MM) | F GLASS FIXED PANEL WIDTH (MM) | A & G – OPTION 1 | A & G – OPTION 2 | A & G – OPTION 3 |
|---|---------------------------|--|------------------|---|---|--|---|
| | | | | | OVERALL WIDTH (MM) <i>Using wall bracket both sides</i> | OVERALL WIDTH (MM) <i>Using U Channel both sides</i> | OVERALL WIDTH (MM) <i>Using "Extended" U Channel both sides</i> |
| 229 | 5 | 600 | 3 | 597 | 1440mm | 1454-1457mm | 1454-1474mm |
| 229 | 5 | 610 | 3 | 597 | 1450mm | 1464-1467mm | 1464-1484mm |
| 229 | 5 | 620 | 3 | 597 | 1460mm | 1474-1477mm | 1474-1494mm |
| 229 | 5 | 630 | 3 | 597 | 1470mm | 1484-1487mm | 1484-1504mm |
| 229 | 5 | 640 | 3 | 597 | 1480mm | 1494-1497mm | 1494-1514mm |
| 279 | 5 | 600 | 3 | 597 | 1490mm | 1504-1507mm | 1504-1524mm |
| 279 | 5 | 610 | 3 | 597 | 1500mm | 1514-1517mm | 1514-1534mm |
| 279 | 5 | 620 | 3 | 597 | 1510mm | 1524-1527mm | 1524-1544mm |
| 279 | 5 | 630 | 3 | 597 | 1520mm | 1534-1537mm | 1534-1554mm |
| 279 | 5 | 640 | 3 | 597 | 1530mm | 1544-1547mm | 1544-1564mm |
| 329 | 5 | 600 | 3 | 597 | 1540mm | 1554-1557mm | 1554-1574mm |
| 329 | 5 | 610 | 3 | 597 | 1550mm | 1564-1567mm | 1564-1584mm |
| 329 | 5 | 620 | 3 | 597 | 1560mm | 1574-1577mm | 1574-1594mm |
| 329 | 5 | 630 | 3 | 597 | 1570mm | 1584-1587mm | 1584-1604mm |
| 329 | 5 | 640 | 3 | 597 | 1580mm | 1594-1597mm | 1594-1614mm |
| 379 | 5 | 600 | 3 | 597 | 1590mm | 1604-1607mm | 1604-1624mm |
| 379 | 5 | 610 | 3 | 597 | 1600mm | 1614-1617mm | 1614-1634mm |
| 379 | 5 | 620 | 3 | 597 | 1610mm | 1624-1627mm | 1624-1644mm |
| 379 | 5 | 630 | 3 | 597 | 1620mm | 1634-1637mm | 1634-1654mm |
| 379 | 5 | 640 | 3 | 597 | 1630mm | 1644-1647mm | 1644-1664mm |
| 429 | 5 | 600 | 3 | 597 | 1640mm | 1654-1657mm | 1654-1674mm |
| 429 | 5 | 610 | 3 | 597 | 1650mm | 1664-1667mm | 1664-1684mm |
| 429 | 5 | 620 | 3 | 597 | 1660mm | 1674-1677mm | 1674-1694mm |
| 429 | 5 | 630 | 3 | 597 | 1670mm | 1684-1687mm | 1684-1704mm |
| 429 | 5 | 640 | 3 | 597 | 1680mm | 1694-1697mm | 1694-1714mm |
| 479 | 5 | 600 | 3 | 597 | 1690mm | 1704-1707mm | 1704-1724mm |
| 479 | 5 | 610 | 3 | 597 | 1700mm | 1714-1717mm | 1714-1734mm |
| 479 | 5 | 620 | 3 | 597 | 1710mm | 1724-1727mm | 1724-1744mm |
| 479 | 5 | 630 | 3 | 597 | 1720mm | 1734-1737mm | 1734-1754mm |
| 479 | 5 | 640 | 3 | 597 | 1730mm | 1744-1747mm | 1744-1764mm |
| 529 | 5 | 600 | 3 | 597 | 1740mm | 1754-1757mm | 1754-1774mm |
| 529 | 5 | 610 | 3 | 597 | 1750mm | 1764-1767mm | 1764-1784mm |
| 529 | 5 | 620 | 3 | 597 | 1760mm | 1774-1777mm | 1774-1794mm |
| 529 | 5 | 630 | 3 | 597 | 1770mm | 1784-1787mm | 1784-1804mm |
| 529 | 5 | 640 | 3 | 597 | 1780mm | 1794-1797mm | 1794-1814mm |
| 579 | 5 | 600 | 3 | 597 | 1790mm | 1804-1807mm | 1804-1824mm |
| 579 | 5 | 610 | 3 | 597 | 1800mm | 1814-1817mm | 1814-1834mm |
| 579 | 5 | 620 | 3 | 597 | 1810mm | 1824-1827mm | 1824-1844mm |
| 579 | 5 | 630 | 3 | 597 | 1820mm | 1834-1837mm | 1834-1854mm |
| 579 | 5 | 640 | 3 | 597 | 1830mm | 1844-1847mm | 1844-1864mm |

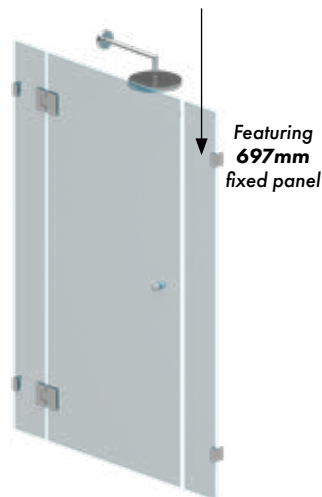


CONTINUED ON FOLLOWING PAGE...



HINGE & DOOR PANEL WITH INFILL PANEL

| B GLASS HINGE PANEL WIDTH (MM) | C HINGE GAP (MM) | D GLASS DOOR PANEL WIDTH (MM) | E GAP (MM) | F GLASS FIXED PANEL WIDTH (MM) | A & G – OPTION 1 | A & G – OPTION 2 | A & G – OPTION 3 |
|---|---------------------------|--|------------------|---|---|--|---|
| | | | | | OVERALL WIDTH (MM) <i>Using wall bracket both sides</i> | OVERALL WIDTH (MM) <i>Using U Channel both sides</i> | OVERALL WIDTH (MM) <i>Using "Extended" U Channel both sides</i> |
| 229 | 5 | 600 | 3 | 697 | 1540mm | 1554-1557mm | 1554-1574mm |
| 229 | 5 | 610 | 3 | 697 | 1550mm | 1564-1567mm | 1564-1584mm |
| 229 | 5 | 620 | 3 | 697 | 1560mm | 1574-1577mm | 1574-1594mm |
| 229 | 5 | 630 | 3 | 697 | 1570mm | 1584-1587mm | 1584-1604mm |
| 229 | 5 | 640 | 3 | 697 | 1580mm | 1594-1597mm | 1594-1614mm |
| 279 | 5 | 600 | 3 | 697 | 1590mm | 1604-1607mm | 1604-1624mm |
| 279 | 5 | 610 | 3 | 697 | 1600mm | 1614-1617mm | 1614-1634mm |
| 279 | 5 | 620 | 3 | 697 | 1610mm | 1624-1627mm | 1624-1644mm |
| 279 | 5 | 630 | 3 | 697 | 1620mm | 1634-1637mm | 1634-1654mm |
| 279 | 5 | 640 | 3 | 697 | 1630mm | 1644-1647mm | 1644-1664mm |
| 329 | 5 | 600 | 3 | 697 | 1640mm | 1654-1657mm | 1654-1674mm |
| 329 | 5 | 610 | 3 | 697 | 1650mm | 1664-1667mm | 1664-1684mm |
| 329 | 5 | 620 | 3 | 697 | 1660mm | 1674-1677mm | 1674-1694mm |
| 329 | 5 | 630 | 3 | 697 | 1670mm | 1684-1687mm | 1684-1704mm |
| 329 | 5 | 640 | 3 | 697 | 1680mm | 1694-1697mm | 1694-1714mm |
| 379 | 5 | 600 | 3 | 697 | 1690mm | 1704-1707mm | 1704-1724mm |
| 379 | 5 | 610 | 3 | 697 | 1700mm | 1714-1717mm | 1714-1734mm |
| 379 | 5 | 620 | 3 | 697 | 1710mm | 1724-1727mm | 1724-1744mm |
| 379 | 5 | 630 | 3 | 697 | 1720mm | 1734-1737mm | 1734-1754mm |
| 379 | 5 | 640 | 3 | 697 | 1730mm | 1744-1747mm | 1744-1764mm |
| 429 | 5 | 600 | 3 | 697 | 1740mm | 1754-1757mm | 1754-1774mm |
| 429 | 5 | 610 | 3 | 697 | 1750mm | 1764-1767mm | 1764-1784mm |
| 429 | 5 | 620 | 3 | 697 | 1760mm | 1774-1777mm | 1774-1794mm |
| 429 | 5 | 630 | 3 | 697 | 1770mm | 1784-1787mm | 1784-1804mm |
| 429 | 5 | 640 | 3 | 697 | 1780mm | 1794-1797mm | 1794-1814mm |
| 479 | 5 | 600 | 3 | 697 | 1790mm | 1804-1807mm | 1804-1824mm |
| 479 | 5 | 610 | 3 | 697 | 1800mm | 1814-1817mm | 1814-1834mm |
| 479 | 5 | 620 | 3 | 697 | 1810mm | 1824-1827mm | 1824-1844mm |
| 479 | 5 | 630 | 3 | 697 | 1820mm | 1834-1837mm | 1834-1854mm |
| 479 | 5 | 640 | 3 | 697 | 1830mm | 1844-1847mm | 1844-1864mm |
| 529 | 5 | 600 | 3 | 697 | 1840mm | 1854-1857mm | 1854-1874mm |
| 529 | 5 | 610 | 3 | 697 | 1850mm | 1864-1867mm | 1864-1884mm |
| 529 | 5 | 620 | 3 | 697 | 1860mm | 1874-1877mm | 1874-1894mm |
| 529 | 5 | 630 | 3 | 697 | 1870mm | 1884-1887mm | 1884-1904mm |
| 529 | 5 | 640 | 3 | 697 | 1880mm | 1894-1897mm | 1894-1914mm |
| 579 | 5 | 600 | 3 | 697 | 1890mm | 1904-1907mm | 1904-1924mm |
| 579 | 5 | 610 | 3 | 697 | 1900mm | 1914-1917mm | 1914-1934mm |
| 579 | 5 | 620 | 3 | 697 | 1910mm | 1924-1927mm | 1924-1944mm |
| 579 | 5 | 630 | 3 | 697 | 1920mm | 1934-1937mm | 1934-1954mm |
| 579 | 5 | 640 | 3 | 697 | 1930mm | 1944-1947mm | 1944-1964mm |

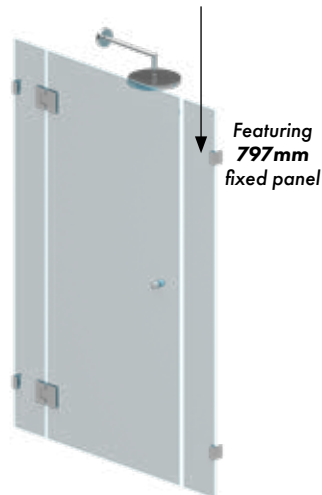


CONTINUED ON FOLLOWING PAGE...



HINGE & DOOR PANEL WITH INFILL PANEL

| B GLASS HINGE PANEL WIDTH (MM) | C HINGE GAP (MM) | D GLASS DOOR PANEL WIDTH (MM) | E GAP (MM) | F GLASS FIXED PANEL WIDTH (MM) | A & G – OPTION 1 | A & G – OPTION 2 | A & G – OPTION 3 |
|---|---------------------------|--|------------------|---|---|--|---|
| | | | | | OVERALL WIDTH (MM) <i>Using wall bracket both sides</i> | OVERALL WIDTH (MM) <i>Using U Channel both sides</i> | OVERALL WIDTH (MM) <i>Using "Extended" U Channel both sides</i> |
| 229 | 5 | 600 | 3 | 797 | 1640mm | 1654-1657mm | 1654-1674mm |
| 229 | 5 | 610 | 3 | 797 | 1650mm | 1664-1667mm | 1664-1684mm |
| 229 | 5 | 620 | 3 | 797 | 1660mm | 1674-1677mm | 1674-1694mm |
| 229 | 5 | 630 | 3 | 797 | 1670mm | 1684-1687mm | 1684-1704mm |
| 229 | 5 | 640 | 3 | 797 | 1680mm | 1694-1697mm | 1694-1714mm |
| 279 | 5 | 600 | 3 | 797 | 1690mm | 1704-1707mm | 1704-1724mm |
| 279 | 5 | 610 | 3 | 797 | 1700mm | 1714-1717mm | 1714-1734mm |
| 279 | 5 | 620 | 3 | 797 | 1710mm | 1724-1727mm | 1724-1744mm |
| 279 | 5 | 630 | 3 | 797 | 1720mm | 1734-1737mm | 1734-1754mm |
| 279 | 5 | 640 | 3 | 797 | 1730mm | 1744-1747mm | 1744-1764mm |
| 329 | 5 | 600 | 3 | 797 | 1740mm | 1754-1757mm | 1754-1774mm |
| 329 | 5 | 610 | 3 | 797 | 1750mm | 1764-1767mm | 1764-1784mm |
| 329 | 5 | 620 | 3 | 797 | 1760mm | 1774-1777mm | 1774-1794mm |
| 329 | 5 | 630 | 3 | 797 | 1770mm | 1784-1787mm | 1784-1804mm |
| 329 | 5 | 640 | 3 | 797 | 1780mm | 1794-1797mm | 1794-1814mm |
| 379 | 5 | 600 | 3 | 797 | 1790mm | 1804-1807mm | 1804-1824mm |
| 379 | 5 | 610 | 3 | 797 | 1800mm | 1814-1817mm | 1814-1834mm |
| 379 | 5 | 620 | 3 | 797 | 1810mm | 1824-1827mm | 1824-1844mm |
| 379 | 5 | 630 | 3 | 797 | 1820mm | 1834-1837mm | 1834-1854mm |
| 379 | 5 | 640 | 3 | 797 | 1830mm | 1844-1847mm | 1844-1864mm |
| 429 | 5 | 600 | 3 | 797 | 1840mm | 1854-1857mm | 1854-1874mm |
| 429 | 5 | 610 | 3 | 797 | 1850mm | 1864-1867mm | 1864-1884mm |
| 429 | 5 | 620 | 3 | 797 | 1860mm | 1874-1877mm | 1874-1894mm |
| 429 | 5 | 630 | 3 | 797 | 1870mm | 1884-1887mm | 1884-1904mm |
| 429 | 5 | 640 | 3 | 797 | 1880mm | 1894-1897mm | 1894-1914mm |
| 479 | 5 | 600 | 3 | 797 | 1890mm | 1904-1907mm | 1904-1924mm |
| 479 | 5 | 610 | 3 | 797 | 1900mm | 1914-1917mm | 1914-1934mm |
| 479 | 5 | 620 | 3 | 797 | 1910mm | 1924-1927mm | 1924-1944mm |
| 479 | 5 | 630 | 3 | 797 | 1920mm | 1934-1937mm | 1934-1954mm |
| 479 | 5 | 640 | 3 | 797 | 1930mm | 1944-1947mm | 1944-1964mm |
| 529 | 5 | 600 | 3 | 797 | 1940mm | 1954-1957mm | 1954-1974mm |
| 529 | 5 | 610 | 3 | 797 | 1950mm | 1964-1967mm | 1964-1984mm |
| 529 | 5 | 620 | 3 | 797 | 1960mm | 1974-1977mm | 1974-1994mm |
| 529 | 5 | 630 | 3 | 797 | 1970mm | 1984-1987mm | 1984-2004mm |
| 529 | 5 | 640 | 3 | 797 | 1980mm | 1994-1997mm | 1994-2014mm |
| 579 | 5 | 600 | 3 | 797 | 1990mm | 2004-2007mm | 2004-2024mm |
| 579 | 5 | 610 | 3 | 797 | 2000mm | 2014-2017mm | 2014-2034mm |
| 579 | 5 | 620 | 3 | 797 | 2010mm | 2024-2027mm | 2024-2044mm |
| 579 | 5 | 630 | 3 | 797 | 2020mm | 2034-2037mm | 2034-2054mm |
| 579 | 5 | 640 | 3 | 797 | 2030mm | 2044-2047mm | 2044-2064mm |

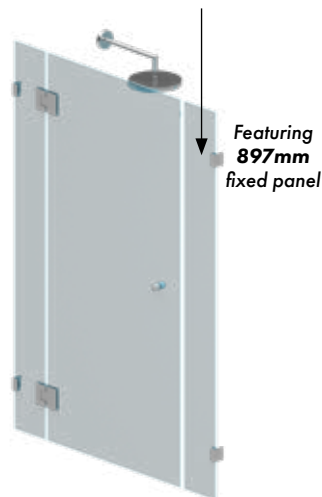


CONTINUED ON FOLLOWING PAGE...



HINGE & DOOR PANEL WITH INFILL PANEL

| B GLASS HINGE PANEL WIDTH (MM) | C HINGE GAP (MM) | D GLASS DOOR PANEL WIDTH (MM) | E GAP (MM) | F GLASS FIXED PANEL WIDTH (MM) | A & G – OPTION 1 | A & G – OPTION 2 | A & G – OPTION 3 |
|---|---------------------------|--|------------------|---|---|--|---|
| | | | | | OVERALL WIDTH (MM) <i>Using wall bracket both sides</i> | OVERALL WIDTH (MM) <i>Using U Channel both sides</i> | OVERALL WIDTH (MM) <i>Using "Extended" U Channel both sides</i> |
| 229 | 5 | 600 | 3 | 897 | 1740mm | 1754-1757mm | 1754-1774mm |
| 229 | 5 | 610 | 3 | 897 | 1750mm | 1764-1767mm | 1764-1784mm |
| 229 | 5 | 620 | 3 | 897 | 1760mm | 1774-1777mm | 1774-1794mm |
| 229 | 5 | 630 | 3 | 897 | 1770mm | 1784-1787mm | 1784-1804mm |
| 229 | 5 | 640 | 3 | 897 | 1780mm | 1794-1797mm | 1794-1814mm |
| 279 | 5 | 600 | 3 | 897 | 1790mm | 1804-1807mm | 1804-1824mm |
| 279 | 5 | 610 | 3 | 897 | 1800mm | 1814-1817mm | 1814-1834mm |
| 279 | 5 | 620 | 3 | 897 | 1810mm | 1824-1827mm | 1824-1844mm |
| 279 | 5 | 630 | 3 | 897 | 1820mm | 1834-1837mm | 1834-1854mm |
| 279 | 5 | 640 | 3 | 897 | 1830mm | 1844-1847mm | 1844-1864mm |
| 329 | 5 | 600 | 3 | 897 | 1840mm | 1854-1857mm | 1854-1874mm |
| 329 | 5 | 610 | 3 | 897 | 1850mm | 1864-1867mm | 1864-1884mm |
| 329 | 5 | 620 | 3 | 897 | 1860mm | 1874-1877mm | 1874-1894mm |
| 329 | 5 | 630 | 3 | 897 | 1870mm | 1884-1887mm | 1884-1904mm |
| 329 | 5 | 640 | 3 | 897 | 1880mm | 1894-1897mm | 1894-1914mm |
| 379 | 5 | 600 | 3 | 897 | 1890mm | 1904-1907mm | 1904-1924mm |
| 379 | 5 | 610 | 3 | 897 | 1900mm | 1914-1917mm | 1914-1934mm |
| 379 | 5 | 620 | 3 | 897 | 1910mm | 1924-1927mm | 1924-1944mm |
| 379 | 5 | 630 | 3 | 897 | 1920mm | 1934-1937mm | 1934-1954mm |
| 379 | 5 | 640 | 3 | 897 | 1930mm | 1944-1947mm | 1944-1964mm |
| 429 | 5 | 600 | 3 | 897 | 1940mm | 1954-1957mm | 1954-1974mm |
| 429 | 5 | 610 | 3 | 897 | 1950mm | 1964-1967mm | 1964-1984mm |
| 429 | 5 | 620 | 3 | 897 | 1960mm | 1974-1977mm | 1974-1994mm |
| 429 | 5 | 630 | 3 | 897 | 1970mm | 1984-1987mm | 1984-2004mm |
| 429 | 5 | 640 | 3 | 897 | 1980mm | 1994-1997mm | 1994-2014mm |
| 479 | 5 | 600 | 3 | 897 | 1990mm | 2004-2007mm | 2004-2024mm |
| 479 | 5 | 610 | 3 | 897 | 2000mm | 2014-2017mm | 2014-2034mm |
| 479 | 5 | 620 | 3 | 897 | 2010mm | 2024-2027mm | 2024-2044mm |
| 479 | 5 | 630 | 3 | 897 | 2020mm | 2034-2037mm | 2034-2054mm |
| 479 | 5 | 640 | 3 | 897 | 2030mm | 2044-2047mm | 2044-2064mm |
| 529 | 5 | 600 | 3 | 897 | 2040mm | 2054-2057mm | 2054-2074mm |
| 529 | 5 | 610 | 3 | 897 | 2050mm | 2064-2067mm | 2064-2084mm |
| 529 | 5 | 620 | 3 | 897 | 2060mm | 2074-2077mm | 2074-2094mm |
| 529 | 5 | 630 | 3 | 897 | 2070mm | 2084-2087mm | 2084-2104mm |
| 529 | 5 | 640 | 3 | 897 | 2080mm | 2094-2097mm | 2094-2114mm |
| 579 | 5 | 600 | 3 | 897 | 2090mm | 2104-2107mm | 2104-2124mm |
| 579 | 5 | 610 | 3 | 897 | 2100mm | 2114-2117mm | 2114-2134mm |
| 579 | 5 | 620 | 3 | 897 | 2110mm | 2124-2127mm | 2124-2144mm |
| 579 | 5 | 630 | 3 | 897 | 2120mm | 2134-2137mm | 2134-2154mm |
| 579 | 5 | 640 | 3 | 897 | 2130mm | 2144-2147mm | 2144-2164mm |



*NOTE: These tables show configurations possible using up to 897mm wide fixed panels (Column F). Larger spans are possible by using wider fixed panels. Refer p56 for wider fixed panels available.

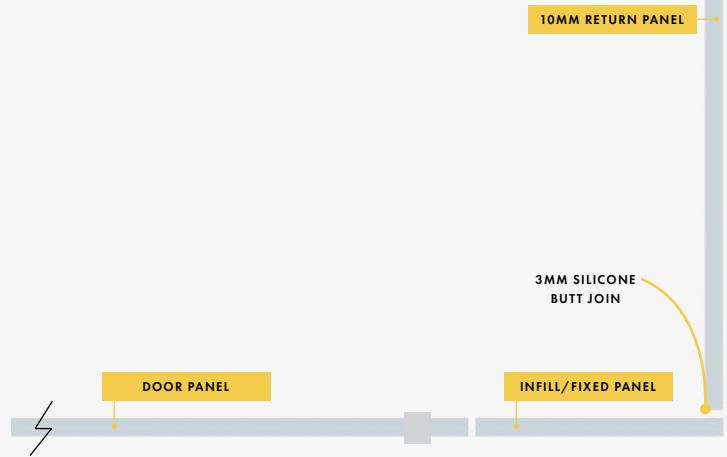


A configuration with a door leading into a fixed/infill panel can be installed with a return panel.

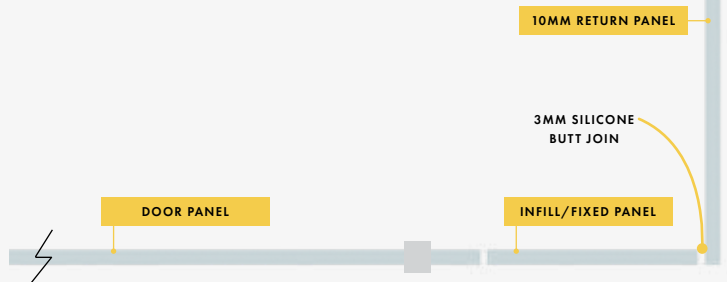
Below diagrams illustrate 2 ways a return panel may be installed.

In both instances a silicone butt joint is required which can be a technically challenging undertaking and should only be attempted by experienced glaziers.

TOP VIEW RETURN PANEL BUTTS TO INFILL PANEL



TOP VIEW INFILL PANEL BUTTS TO RETURN PANEL





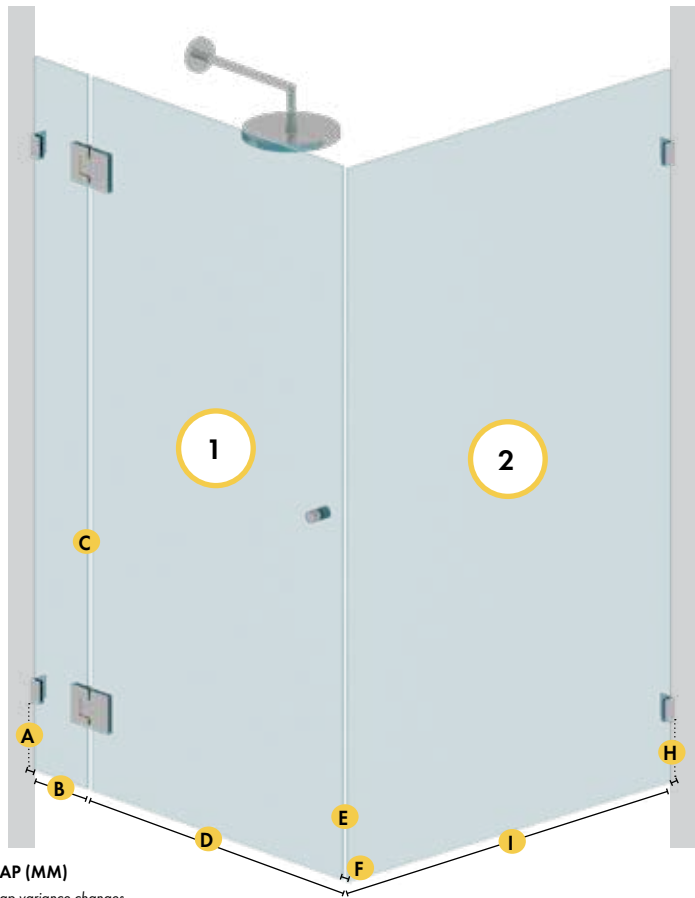
PURITY CORNER CONFIGURATIONS

Overview

The classic corner shower offers many possible size configurations with our hinge panels, door panels and return panels.

This guide outlines the sizes achievable with our range of shower doors, hinge panels and return panels.

- 10mm thick clear toughened
- 1 mm radius corners
- Individually boxed panels
- Flat polished edges



- A** BRACKET GAP (MM)
***if channel used, gap variance changes – refer last 2 columns for OVERALL WIDTH calculation*
- B** GLASS HINGE PANEL WIDTH (MM)
- C** HINGE GAP (MM)
- D** GLASS DOOR PANEL WIDTH (MM)
- E** GAP (MM)
- F** THICKNESS OF RETURN PANEL GLASS (MM)
- H** BRACKET OR CHANNEL GAP (MM)
- I** GLASS RETURN PANEL WIDTH (MM)

For the return/fixed panel, refer to table below.

| 2 | | RETURN/FIXED PANEL: | | |
|-------------------------|-------------------------------------|----------------------------------|---|--|
| H | I | USING WALL BRACKET | USING DRY GLAZE U CHANNEL | USING EXTENDED DRY GLAZE U CHANNEL |
| BRACKET GAP (MM) | GLASS FIXED PANEL WIDTH (MM) | OVERALL RETURN WIDTH (MM) | <i>If using dry glaze U channel instead of wall brackets, OVERALL WIDTH becomes</i> | <i>If using "EXTENDED" dry glaze U channel instead of wall brackets, OVERALL WIDTH range becomes</i> |
| 3 | 597 | 600mm | 607-610mm | 607-622mm |
| 3 | 697 | 700mm | 707-710mm | 707-722mm |
| 3 | 797 | 800mm | 807-810mm | 807-822mm |
| 3 | 847 | 850mm | 857-860mm | 857-872mm |
| 3 | 872 | 875mm | 882-885mm | 882-897mm |
| 3 | 897 | 900mm | 907-910mm | 907-922mm |
| 3 | 922 | 925mm | 932-935mm | 932-947mm |
| 3 | 947 | 950mm | 957-960mm | 957-972mm |
| 3 | 972 | 975mm | 982-985mm | 982-997mm |
| 3 | 997 | 1000mm | 1007-1010mm | 1007-1022mm |
| 3 | 1022 | 1025mm | 1032-1035mm | 1032-1047mm |
| 3 | 1047 | 1050mm | 1057-1060mm | 1057-1072mm |
| 3 | 1097 | 1100mm | 1107-1110mm | 1107-1122mm |
| 3 | 1147 | 1150mm | 1157-1160mm | 1157-1172mm |
| 3 | 1197 | 1200mm | 1207-1210mm | 1207-1222mm |
| 3 | 1297 | 1300mm | 1307-1310mm | 1307-1322mm |
| 3 | 1397 | 1400mm | 1407-1410mm | 1407-1422mm |



PURITY CORNER CONFIGURATIONS

For the inline section, refer to table below.

| HINGE & DOOR PANEL: | | | | | | USING WALL BRACKET | USING DRY GLAZE U CHANNEL | USING EXTENDED DRY GLAZE U CHANNEL |
|---------------------|------------------------------|----------------|-----------------------------|----------|--------------------------------------|---------------------------|--|---|
| A | B | C | D | E | F | OVERALL INLINE WIDTH (MM) | If using dry glaze U channel instead of wall brackets, OVERALL WIDTH becomes | If using "EXTENDED" dry glaze U channel instead of wall brackets, OVERALL WIDTH range becomes |
| BRACKET GAP (MM) | GLASS HINGE PANEL WIDTH (MM) | HINGE GAP (MM) | GLASS DOOR PANEL WIDTH (MM) | GAP (MM) | RETURN PANEL THICKNESS OF GLASS (MM) | | | |
| 3 | 229 | 5 | 600 | 3 | 10 | 850mm | 857-860mm | 857-872mm |
| 3 | 229 | 5 | 610 | 3 | 10 | 860mm | 867-870mm | 867-882mm |
| 3 | 229 | 5 | 620 | 3 | 10 | 870mm | 877-880mm | 877-892mm |
| 3 | 229 | 5 | 630 | 3 | 10 | 880mm | 887-890mm | 887-902mm |
| 3 | 229 | 5 | 640 | 3 | 10 | 890mm | 897-900mm | 897-912mm |
| 3 | 279 | 5 | 600 | 3 | 10 | 900mm | 907-910mm | 907-922mm |
| 3 | 279 | 5 | 610 | 3 | 10 | 910mm | 917-920mm | 917-932mm |
| 3 | 279 | 5 | 620 | 3 | 10 | 920mm | 927-930mm | 927-942mm |
| 3 | 279 | 5 | 630 | 3 | 10 | 930mm | 937-940mm | 937-952mm |
| 3 | 279 | 5 | 640 | 3 | 10 | 940mm | 947-950mm | 947-962mm |
| 3 | 329 | 5 | 600 | 3 | 10 | 950mm | 957-960mm | 957-972mm |
| 3 | 329 | 5 | 610 | 3 | 10 | 960mm | 967-970mm | 967-982mm |
| 3 | 329 | 5 | 620 | 3 | 10 | 970mm | 977-980mm | 977-992mm |
| 3 | 329 | 5 | 630 | 3 | 10 | 980mm | 987-990mm | 987-1002mm |
| 3 | 329 | 5 | 640 | 3 | 10 | 990mm | 997-1000mm | 997-1012mm |
| 3 | 379 | 5 | 600 | 3 | 10 | 1000mm | 1007-1010mm | 1007-1022mm |
| 3 | 379 | 5 | 610 | 3 | 10 | 1010mm | 1017-1020mm | 1017-1032mm |
| 3 | 379 | 5 | 620 | 3 | 10 | 1020mm | 1027-1030mm | 1027-1042mm |
| 3 | 379 | 5 | 630 | 3 | 10 | 1030mm | 1037-1040mm | 1037-1052mm |
| 3 | 379 | 5 | 640 | 3 | 10 | 1040mm | 1047-1050mm | 1047-1062mm |
| 3 | 429 | 5 | 600 | 3 | 10 | 1050mm | 1057-1060mm | 1057-1072mm |
| 3 | 429 | 5 | 610 | 3 | 10 | 1060mm | 1067-1070mm | 1067-1082mm |
| 3 | 429 | 5 | 620 | 3 | 10 | 1070mm | 1077-1080mm | 1077-1092mm |
| 3 | 429 | 5 | 630 | 3 | 10 | 1080mm | 1087-1090mm | 1087-1102mm |
| 3 | 429 | 5 | 640 | 3 | 10 | 1090mm | 1097-1100mm | 1097-1112mm |
| 3 | 479 | 5 | 600 | 3 | 10 | 1100mm | 1107-1110mm | 1107-1122mm |
| 3 | 479 | 5 | 610 | 3 | 10 | 1110mm | 1117-1120mm | 1117-1132mm |
| 3 | 479 | 5 | 620 | 3 | 10 | 1120mm | 1127-1130mm | 1127-1142mm |
| 3 | 479 | 5 | 630 | 3 | 10 | 1130mm | 1137-1140mm | 1137-1152mm |
| 3 | 479 | 5 | 640 | 3 | 10 | 1140mm | 1147-1150mm | 1147-1162mm |
| 3 | 529 | 5 | 600 | 3 | 10 | 1150mm | 1157-1160mm | 1157-1172mm |
| 3 | 529 | 5 | 610 | 3 | 10 | 1160mm | 1167-1170mm | 1167-1182mm |
| 3 | 529 | 5 | 620 | 3 | 10 | 1170mm | 1177-1180mm | 1177-1192mm |
| 3 | 529 | 5 | 630 | 3 | 10 | 1180mm | 1187-1190mm | 1187-1202mm |
| 3 | 529 | 5 | 640 | 3 | 10 | 1190mm | 1197-1200mm | 1197-1212mm |
| 3 | 579 | 5 | 600 | 3 | 10 | 1200mm | 1207-1210mm | 1207-1222mm |
| 3 | 579 | 5 | 610 | 3 | 10 | 1210mm | 1217-1220mm | 1217-1232mm |
| 3 | 579 | 5 | 620 | 3 | 10 | 1220mm | 1227-1230mm | 1227-1242mm |
| 3 | 579 | 5 | 630 | 3 | 10 | 1230mm | 1237-1240mm | 1237-1252mm |
| 3 | 579 | 5 | 640 | 3 | 10 | 1240mm | 1247-1250mm | 1247-1262mm |



In bathroom design, the trend of minimalism continues to grow in popularity.

Linea complete kits are available for fast and easy framing of 6mm glass with a stylish 25x15mm profile (in bright polish or matt black). A slimline U channel ensures ease of install to walls even if out of square.

An optional horizontal support arm is available which can be width adjusted if required.

Kits include all aluminium extrusions, glazing rubbers, joiners and screws – simply arrange 6mm toughened glass to required size and assemble the frame to the glass. Linea shower screens can be made up to 2450mm high x 1450mm wide.

Contact us for a simple to use cutting list and glass size specifier.

Cost effective, simple and stylish – Linea kits are an ideal bath or shower screen solution.

KITS IN A BOX FOR CUSTOM MADE SIZES

Purchase a complete kit in a box for simple fabrication to suit custom sized glass. Everything required for a Linea frame is in the kit! Simply order 6mm custom glass separately.

Contact us for cutting list & glass size specifier

Linea complete frame kit in a box

BRIGHT POLISH FINISH

Order Code: **LINEA-KIT-P (Bright polish)**

Makes frame up to 2450mm x 1450mm

(Suits 6mm glass – not included)

Includes:

- 1 x 2450mm long Wall U Channel – Bright polish aluminium 6463-T5
- 2 x 2450mm long Vertical Side Frame – Bright polish aluminium 6463-T5
- 2 x 1450mm long Top/Bottom Frame – Bright polish aluminium 6463-T5
- 2 x 2450mm long glazing rubber – PVC
- 2 x 1450mm long glazing rubber – PVC
- 4 x Internal Corner stakes – rigid PVC
- 6 x 6mm diameter x 29mm wall plugs – PVC
- 6 x ST4x30 pan head wall screws – SS3304
- 6 x ST4x10 CSK fixing screws – SS304
- 6 x Screw covers – PVC

Linea complete frame kit in a box

MATT BLACK POWDER COATED FINISH

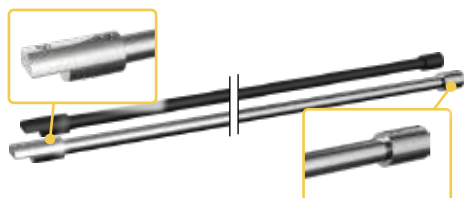
Order Code: **LINEA-KIT-B (Matt black)**

Makes frame up to 2450mm x 1450mm

(Suits 6mm glass – not included)

Includes:

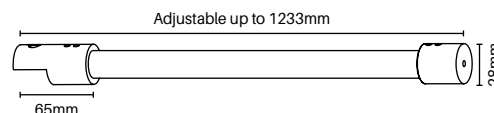
- 1 x 2450mm long Wall U Channel – Matt black powder coated aluminium 6463-T5
- 2 x 2450mm long Vertical Side Frame – Matt black powder coated aluminium 6463-T5
- 2 x 1450mm long Top/Bottom Frame – Matt black powder coated aluminium 6463-T5
- 2 x 2450mm long glazing rubber – PVC
- 2 x 1450mm long glazing rubber – PVC
- 4 x Internal Corner stakes – rigid PVC
- 6 x 6mm diameter x 29mm wall plugs – PVC
- 6 x ST4x30 pan head wall screws – SS3304
- 6 x ST4x10 CSK fixing screws – SS304
- 6 x Screw covers – PVC



1200mm wide horizontal support arm

WIDTH ADJUSTABLE

Order Code: **LINEA-ARM-P (Bright polish)**
LINEA-ARM-B (Matt black)

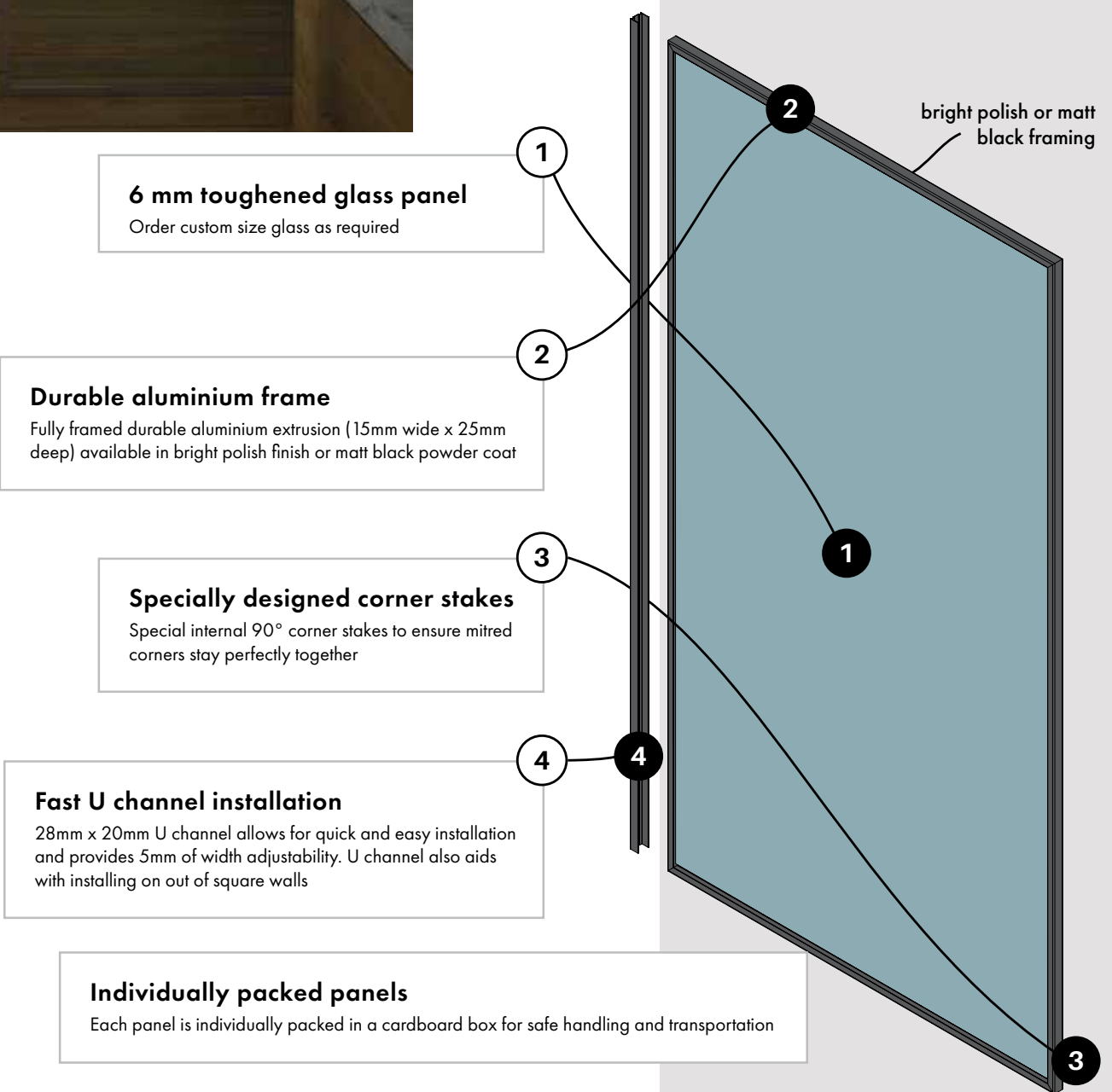


Simply cut tube to required length



LINEA

FULLY FRAMED KITS



1

6 mm toughened glass panel
Order custom size glass as required

2

Durable aluminium frame
Fully framed durable aluminium extrusion (15mm wide x 25mm deep) available in bright polish finish or matt black powder coat

3

Specially designed corner stakes
Special internal 90° corner stakes to ensure mitred corners stay perfectly together

4

Fast U channel installation
28mm x 20mm U channel allows for quick and easy installation and provides 5mm of width adjustability. U channel also aids with installing on out of square walls

Individually packed panels
Each panel is individually packed in a cardboard box for safe handling and transportation

3



STAL SLIDING SHOWER SCREENS

STÄL

ARCHITECTURAL
FRAMELESS SLIDING
SHOWER SCREEN

A beautiful, frameless sliding showerscreen system designed to stand out from the rest, with only the best fittings used.

The STÄL system is ideal for wide openings and can be used in both inline and 90° applications.

Achieve any installation size between 1200mm wide to 1940mm wide with modular panels or custom made glass.

Hardware available in high polish, matt black or brushed gold finish.

IDEAL FOR WIDE OPENINGS

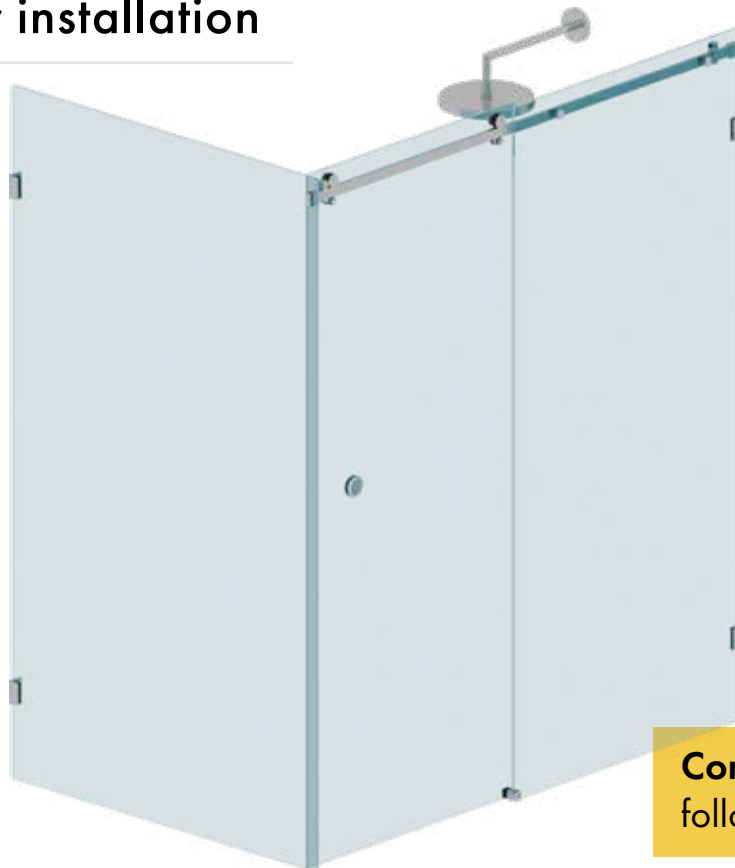


STAL CONFIGURATIONS

in Inline installation



90° 90° corner installation



Contact us for our easy to follow install guide



STAL HARDWARE GUIDE

SELECT HARDWARE OPTIONS

Stäl kit **in 90°**

POLISH FINISH / SS304

Order Code: STAL-KIT (Polish)

Kit includes:

- 1 x Recessed Round Handle;
- 2 x Door Upper Rollers;
- 2 x Door Stabiliser Guides;
- 2 x Fixed Panel Rail Connectors;
- 2 x Stoppers;
- 1 x Floor Guide;
- 2 x Rail Wall Brackets;
- 3 x Hex/Allen Keys



1 x Recessed Round Handle



2x Door upper rollers



2x Door stabiliser guides
offset screws allow height adjustment of guides



2x Fixed panel rail connectors



2x Stoppers



1x floor guide



2x rail wall brackets



IMPORTANT!
Use Loctite 242 or Ultraloc 3242 threadlocker with screws

SELECT RAIL



Pre-drilled rail **in 90°**

POLISH FINISH – SS304

Order codes:

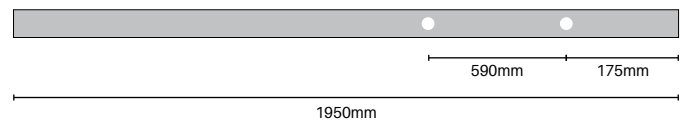
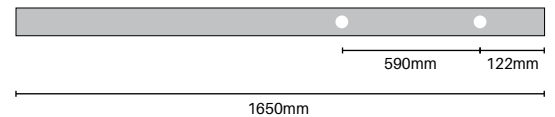
STAL-RAIL-1650 (1650mm long)

STAL-RAIL-1950 (1950mm long)

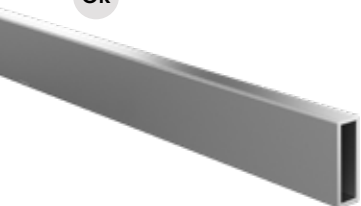
Rail dimensions: 30mm high x 10mm wide

Pre-drilled rail is ready to install with modular panels. Pre-drilled holes align with the 4x modular glass fixed panel holes.

Simply cut down rail ends to desired overall width and install rail and glass panels.



OR



Blank rail **in 90°**

POLISH FINISH – SS304

Order codes:

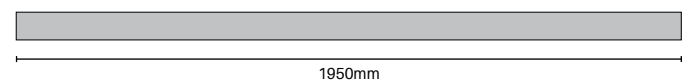
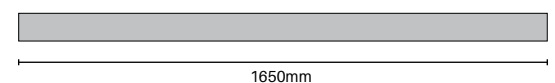
STAL-RBLANK-1650 (1650mm long)

STAL-RBLANK-1950 (1950mm long)

Rail dimensions: 30mm high x 10mm wide

Custom drilling of rail holes enables flexibility for unique install situations where pre-drilled rails do not suit.

Enables drilling for configurations such as PANEL > DOOR > PANEL





STAL HARDWARE GUIDE

WALL BRACKET OPTIONS

in 90° **Wall bracket**
 CHROME PLATED
 SOLID BRASS
 Order code: P-WB
 Wall bracket - Use to install fixed glass panels to wall

OR

in 90° **Offset wall Bracket**
 CHROME PLATED
 SOLID BRASS
 Order code: P-WB-O
 Install fixed glass panels to wall

in 90° **Slimline rail wall Bracket**
 POLISH FINISH
 SS304
 Order code: STAL-RWBS
 ⚠ Only required if using a 650mm wide modular fixed glass panel

SEALS, BUMPERS & WATER BARS

in 90° **Door bumper Stopper**
 PVC – 2130MM L
 Order code: STAL-D10-2130
 Suits 10mm glass
 10mm bulb
 Prevents contact between glass door & wall

in 90° **OPTIONAL Water seal**
 PVC – 2130MM L
 Order code: STAL-FP10-2130
 Suits 10mm glass – 26mm L
 Flexible PVC fin - Reduce water escape between door & fixed panel

in 90° **OPTIONAL Water bar**
 POLISHED ALUMINIUM
 Order code:
 P-BAR12-2000-PA (round); or
 P-BAR10SQ-2000-PA (square)
Round dimension:
 6mmH x 12mmW x 2000mmL
Square dimension:
 9mmH x 10mmW x 2000mmL

OPTIONAL EXTRAS

90° **90° bracket**
 POLISH FINISH – SS304
 Order code: STAL-90J
 Required when installing with a glass return panel
 2 x modular glass return panel sizes available or custom make glass as needed

Return panel measuring tips

- Return panel width measured from wall to front face of front/fixed inline panel
- If using a wall bracket to affix return panel to wall, a deduction needs to be made to the glass return panel width to allow for bracket gap (commonly 3 to 5mm)
- When measuring width of fixed panel and door panel when using a return panel, width is measured from wall to inside edge of 10mm thick return panel



Rail connector
 POLISH FINISH – SS304
 Order code: STAL-RC

Used for extra fixings to stainless steel rail.
 Example: If fabricating a 3 panel set up
 FIXED PANEL > DOOR > FIXED PANEL

Bostik 6s silicone
 300g TUBE
 Order code: P-S-6S
 Translucent finish
 High performance neutral cure silicone sealant with mould inhibitor

Soudal silicone
 TRANSLUCENT
 300g TUBE
 Order code: SOUD-KBS-TRANS
 Translucent finish
 High performance neutral cure silicone

Enduroshield kit
 Order code: ENDURO-GC-125
Kit includes:
 125m EnduroShield Glass Home Surface Treatment
 250ml EnduroClean Pre-Cleaner
 Fine Steel Wool & Polishing Cloth
 Instructions (Step by Step)
 3 Year limited warranty

COVERS UP TO 85QM

Clear setting blocks
 PACK OF 100
 Order code: P-SB
 1.5mm x 12mm x 50mm High
 Use to sit fixed glass panels on (use in conjunction with silicone)

Ultraloc threadlocker 3242 compound
 10ml BOTTLE
 Order code: ULTRALOC-3242
 Medium strength removable grade threadlocking compound



STAL HARDWARE GUIDE

SELECT HARDWARE OPTIONS

Stål kit **in 90°**

MATT BLACK FINISH / SS304

Order Code: STAL-KIT-B (Matt black)

Kit includes:

- 1 x Recessed Round Handle;
- 2 x Door Upper Rollers;
- 2 x Door Stabiliser Guides;
- 2 x Fixed Panel Rail Connectors;
- 2 x Stoppers;
- 1 x Floor Guide;
- 2 x Rail Wall Brackets;
- 3 x Hex/Allen Keys



1 x Recessed Round Handle



2x Door upper rollers



2x Door stabiliser guides
offset screws allow height adjustment of guides



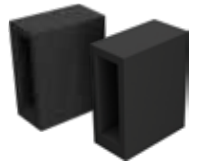
2x Fixed panel rail connectors



2x Stoppers



1x floor guide



2x rail wall brackets



IMPORTANT!

Use Loctite 242 or Ultraloc 3242 threadlocker with screws

SELECT RAIL

Pre-drilled rail **in 90°**

MATT BLACK FINISH – SS304

Order codes:

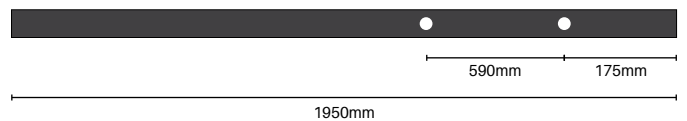
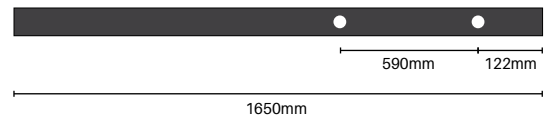
STAL-RAIL-1650-B (1650mm long)

STAL-RAIL-1950-B (1950mm long)

Rail dimensions: 30mm high x 10mm wide

Pre-drilled rail is ready to install with modular panels. Pre-drilled holes align with the 4x modular glass fixed panel holes.

Simply cut down rail ends to desired overall width and install rail and glass panels.



OR

Blank rail **in 90°**

MATT BLACK FINISH – SS304

Order codes:

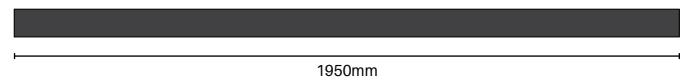
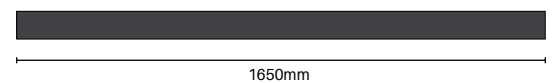
STAL-RBLANK-1650-B (1650mm long)

STAL-RBLANK-1950-B (1950mm long)

Rail dimensions: 30mm high x 10mm wide

Custom drilling of rail holes enables flexibility for unique install situations where pre-drilled rails do not suit.

Enables drilling for configurations such as PANEL > DOOR > PANEL





STAL HARDWARE GUIDE

WALL BRACKET OPTIONS

in 90° **Wall bracket**
MATT BLACK SOLID BRASS
 Order code: **PN-WB**
 Wall bracket - Use to install fixed glass panels to wall

OR

in 90° **Offset wall Bracket**
MATT BLACK SOLID BRASS
 Order code: **PN-WB-O**
 Install fixed glass panels to wall

in 90° **Slimline rail Wall bracket**
MATT BLACK SS304
 Order code: **STAL-RWBS-B**
 ⚠ Only required if using a 650mm wide modular fixed glass panel

SEALS, BUMPERS & WATER BARS

in 90° **Door bumper Stopper**
PVC – 2130MM L
 Order code: **STAL-D10-2130**
 Suits 10mm glass
 10mm bulb
 Prevents contact between glass door & wall

in 90° **OPTIONAL Water seal**
PVC – 2130MM L
 Order code: **STAL-FP10-2130**
 Suits 10mm glass – 26mm L
 Flexible PVC fin - Reduce water escape between door & fixed panel

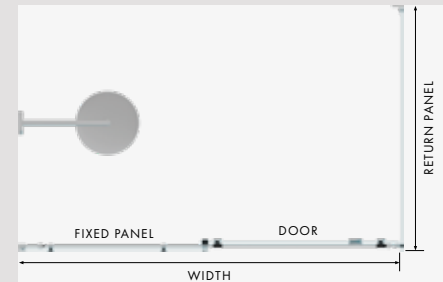
in 90° **OPTIONAL Water bar**
MATT BLACK ALUMINIUM
 Order code:
P-BAR12-2000-B (round); or
P-BAR10SQ-2000-B (square)
Round dimension:
 6mmH x 12mmW x 2000mmL
Square dimension:
 9mmH x 10mmW x 2000mmL

OPTIONAL EXTRAS

90° **90° bracket**
MATT BLACK – SS304
 Order code: **STAL-90J-B**
 Required when installing with a glass return panel
 2 x modular glass return panel sizes available or custom make glass as needed

Return panel measuring tips

- Return panel width measured from wall to front face of front/fixed inline panel
- If using a wall bracket to affix return panel to wall, a deduction needs to be made to the glass return panel width to allow for bracket gap (commonly 3 to 5mm)
- When measuring width of fixed panel and door panel when using a return panel, width is measured from wall to inside edge of 10mm thick return panel



Rail connector
MATT BLACK – SS304
 Order code: **STAL-RC-B**
 Used for extra fixings to stainless steel rail.
 Example: If fabricating a 3 panel set up
FIXED PANEL > DOOR > FIXED PANEL

Bostik 6s silicone
300g TUBE
 Order code: **P-S-6S**
 Translucent finish
 High performance neutral cure silicone sealant with mould inhibitor

Soudal silicone
TRANSLUCENT 300g TUBE
 Order code: **Soud-KBS-TRANS**
 Translucent finish
 High performance neutral cure silicone

Enduroshield kit
 Order code: **ENDURO-GC-125**
Kit includes:
 125m EnduroShield Glass Home Surface Treatment
 250ml EnduroClean Pre-Cleaner
 Fine Steel Wool & Polishing Cloth
 Instructions (Step by Step)
 3 Year limited warranty

Clear setting blocks
PACK OF 100
 Order code: **P-SB**
 1.5mm x 12mm x 50mm High
 Use to sit fixed glass panels on (use in conjunction with silicone)

Ultraloc threadlocker 3242 compound
10ml BOTTLE
 Order code: **ULTRALOC-3242**
 Medium strength removable grade threadlocking compound

COVERS UP TO 85QM



STAL HARDWARE GUIDE

SELECT HARDWARE OPTIONS

Stål kit **in 90°**

SS304 GOLD FINISH PVD

Order Code: STAL-KIT-ORO (Gold)

Kit includes:

- 1 x Recessed Round Handle;
- 2 x Door Upper Rollers;
- 2 x Door Stabiliser Guides;
- 2 x Fixed Panel Rail Connectors;
- 2 x Stoppers;
- 1 x Floor Guide;
- 2 x Rail Wall Brackets;
- 3 x Hex/Allen Keys



1 x Recessed Round Handle



2x Door upper rollers



2x Door stabiliser guides
offset screws allow height adjustment of guides



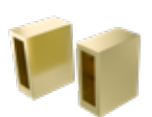
2x Fixed panel rail connectors



2x Stoppers



1x floor guide



2x rail wall brackets



IMPORTANT!

Use Loctite 242 or Ultraloc 3242 threadlocker with screws

SELECT RAIL



Pre-drilled rail **in 90°**

SS304 GOLD FINISH PVD

Order codes:

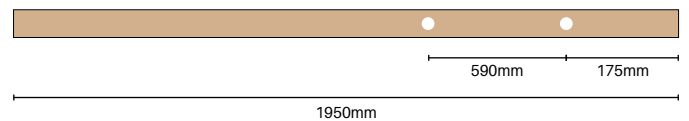
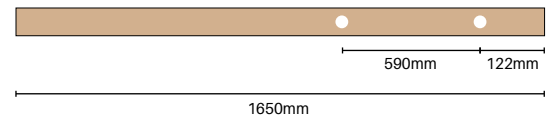
STAL-RAIL-1650-ORO (1650mm long)

STAL-RAIL-1950-ORO (1950mm long)

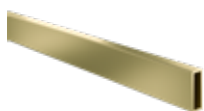
Rail dimensions: 30mm high x 10mm wide

Pre-drilled rail is ready to install with modular panels. Pre-drilled holes align with the 4x modular glass fixed panel holes.

Simply cut down rail ends to desired overall width and install rail and glass panels.



OR



Blank rail **in 90°**

SS304 GOLD FINISH PVD

Order codes:

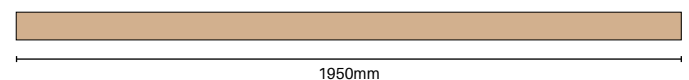
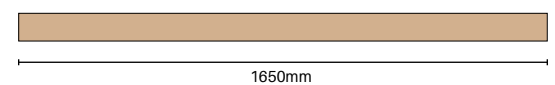
STAL-RBLANK-1650-ORO (1650mm long)

STAL-RBLANK-1950-ORO (1950mm long)

Rail dimensions: 30mm high x 10mm wide

Custom drilling of rail holes enables flexibility for unique install situations where pre-drilled rails do not suit.

Enables drilling for configurations such as PANEL > DOOR > PANEL





STAL HARDWARE GUIDE

WALL BRACKET OPTIONS

in 90°  **Wall bracket**
GOLD FINISH PVD SOLID BRASS
 Order code: **P-ORO-WB**
 Wall bracket - Use to install fixed glass panels to wall

OR

in 90°  **Offset wall Bracket**
GOLD FINISH PVD SOLID BRASS
 Order code: **P-ORO-WB-O**
 Install fixed glass panels to wall


in 90°  **Slimline rail wall Bracket**
GOLD FINISH PVD SS304
 Order code: **STAL-RWBS-ORO**
 Only required if using a 650mm wide modular fixed glass panel

SEALS, BUMPERS & WATER BARS


in 90° **Door bumper Stopper**
PVC – 2130MM L
 Order code: **STAL-D10-2130**
 Suits 10mm glass
 10mm bulb
 Prevents contact between glass door & wall



in 90° **OPTIONAL Water seal**
PVC – 2130MM L
 Order code: **STAL-FP10-2130**
 Suits 10mm glass – 26mm L
 Flexible PVC fin - Reduce water escape between door & fixed panel




in 90° **OPTIONAL Water bar**
ALUMINIUM
 Order code:
P-BAR12-2000-ORO (round); or P-BAR10SQ-2000-ORO (square)
Round dimension:
 6mmH x 12mmW x 2000mmL
Square dimension:
 9mmH x 10mmW x 2000mmL



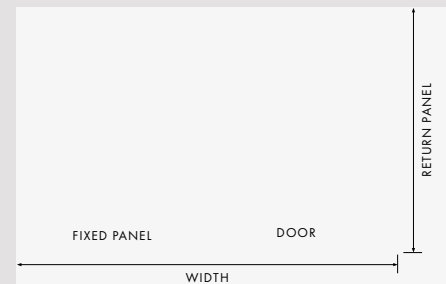
OPTIONAL EXTRAS


90° **90° bracket**
SS304 GOLD FINISH PVD
 Order code: **STAL-90J-ORO**
 Required when installing with a glass return panel
 2 x modular glass return panel sizes available or custom make glass as needed





Return panel measuring tips

- Return panel width measured from wall to front face of front/fixed inline panel
- If using a wall bracket to affix return panel to wall, a deduction needs to be made to the glass return panel width to allow for bracket gap (commonly 3 to 5mm)
- When measuring width of fixed panel and door panel when using a return panel, width is measured from wall to inside edge of 10mm thick return panel



 **Rail connector**
SS304 GOLD FINISH PVD
 Order code: **STAL-RC-ORO**
 Used for extra fixings to stainless steel rail.
 Example: If fabricating a 3 panel set up
FIXED PANEL > DOOR > FIXED PANEL

 **Bostik 6s silicone**
300g TUBE
 Order code: **P-S-6S**
 Translucent finish
 High performance neutral cure silicone sealant with mould inhibitor

 **Soudal silicone**
TRANSLUCENT 300g TUBE
 Order code: **SOUD-KBS-TRANS**
 Translucent finish
 High performance neutral cure silicone

 **Enduroshield kit**
 Order code: **ENDURO-GC-125**
Kit includes:
 125m EnduroShield Glass Home Surface Treatment
 250ml EnduroClean Pre-Cleaner
 Fine Steel Wool & Polishing Cloth
 Instructions (Step by Step)
 3 Year limited warranty

 **Clear setting blocks**
PACK OF 100
 Order code: **P-SB**
1.5mm x 12mm x 50mm High
 Use to sit fixed glass panels on (use in conjunction with silicone)

 **Ultraloc threadlocker 3242 compound**
10ml BOTTLE
 Order code: **ULTRALOC-3242**
 Medium strength removable grade threadlocking compound

COVERS UP TO 85QM

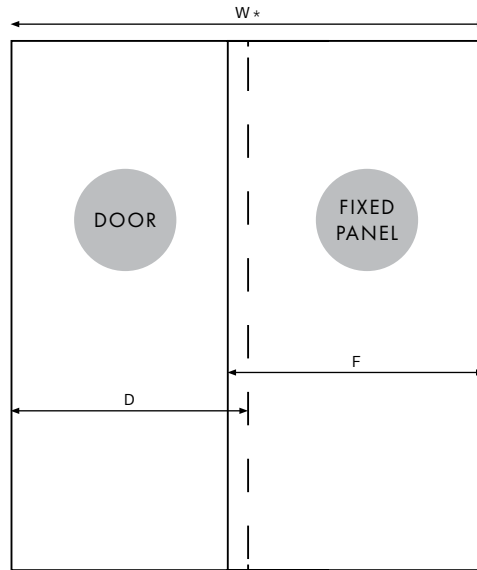


STAL CUSTOM GLASS

Our modular STÅL range of glass provides solutions for most installation situations.

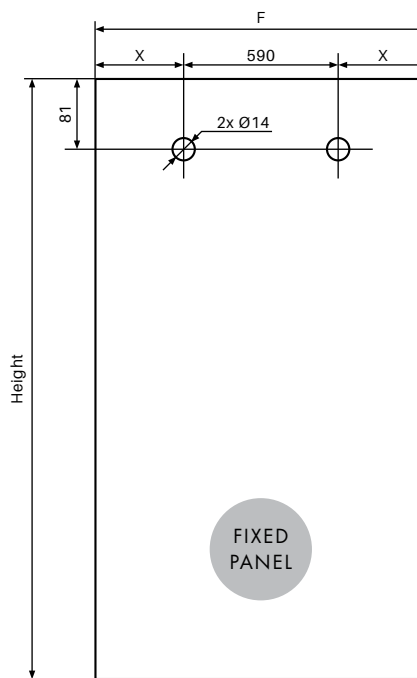
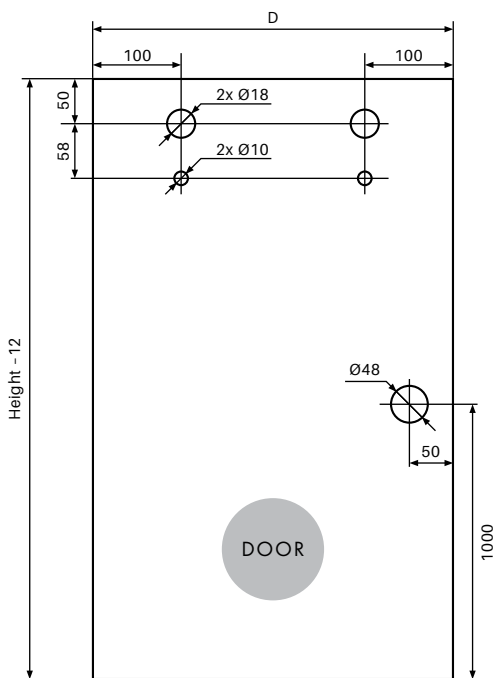
If modular glass is not suitable for your job, the STÅL hardware can be used with custom made 10mm toughened glass. The specifications below provide guidance for ordering custom made glass panels.

INLINE APPLICATION

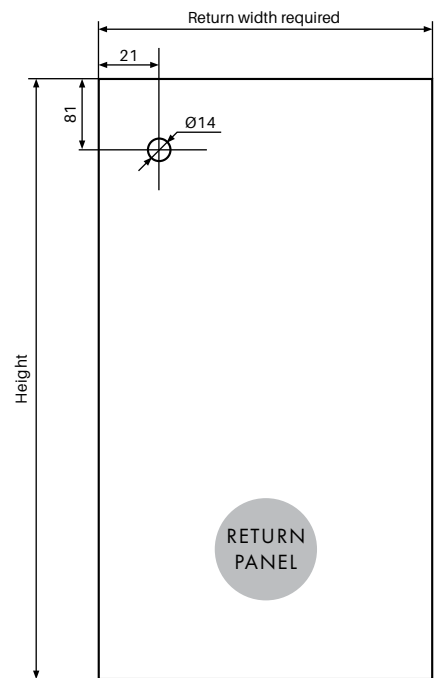


- W: WIDTH*
- F: FIXED PANEL
- D: DOOR
- W= 1200 to 1940mm
- F= (W÷2)+40mm
- D= W÷2

*Width is commonly the smallest overall opening size between 2 walls



$$X = (F - 590) \div 2$$





STAL SLIDING SHOWER SYSTEM

With our range of modular glass panels and hardware, installing the STÄL system into widths from 1200mm wide up to 1940mm wide is easy.

The STÄL system of hardware and glass allows a complete system install at a huge cost saving to custom made glass.

The following pages provide detailed guidance on the modular panels available and exact overlaps of the door and fixed panels as well as entry widths into the shower opening. This detailed information gives you the confidence to know all details prior to commencing an installation.

The below table provides a quick guide as to opening widths and highlights in black what hardware and glass is required.

*NOTE: Table below lists polished product codes as a guide only

| CODE | OVERALL WIDTH (mm) | | | | | | | |
|----------------|--------------------|-----------|-----------|-----------|-----------|-----------|-----------|-----------|
| | 1200-1240 | 1240-1340 | 1340-1440 | 1440-1540 | 1540-1640 | 1640-1740 | 1740-1840 | 1840-1940 |
| STAL-D-0600 | ✓ | | | | | | | |
| STAL-F-0650 | ✓ | ✓ | | | | | | |
| STAL-D-0700 | | ✓ | ✓ | | | | | |
| STAL-F-0750 | | | ✓ | ✓ | | | | |
| STAL-D-0800 | | | | ✓ | ✓ | | | |
| STAL-F-0850 | | | | | ✓ | ✓ | | |
| STAL-D-0900 | | | | | | ✓ | ✓ | |
| STAL-F-0950 | | | | | | | ✓ | ✓ |
| STAL-D-1000 | | | | | | | | ✓ |
| STAL-KIT | ✓ | ✓ | ✓ | ✓ | ✓ | ✓ | ✓ | ✓ |
| P-WB | x2 | x2 | x2 | x2 | x2 | x2 | x2 | x2 |
| STAL-D10-2130 | ✓ | ✓ | ✓ | ✓ | ✓ | ✓ | ✓ | ✓ |
| STAL-RAIL-1650 | ✓ | ✓ | ✓ | ✓ | | | | |
| STAL-RAIL-1950 | | | | | ✓ | ✓ | ✓ | ✓ |
| STAL-RWBS | ✓ | ✓ | | | | | | |
| P-S-6S | ✓ | ✓ | ✓ | ✓ | ✓ | ✓ | ✓ | ✓ |
| ULTRALOC-3242 | ✓ | ✓ | ✓ | ✓ | ✓ | ✓ | ✓ | ✓ |

SEE PAGES 96-103 FOR ACCURATE GLASS MEASUREMENT LAYOUTS



IMPORTANT

Apply UltraLoc 3242 or equivalent to screw thread and allow 24 hours for full cure.

Do not use shower during this time.

UltraLoc 3242 aids in prevention of the chance of screw loosening resulting in glass door dropping.



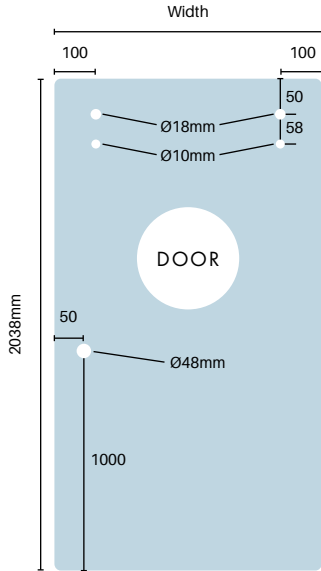


STAL MODULAR GLASS PANELS

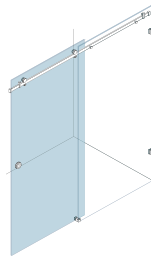
10mm clear toughened glass; 2mm radius corners

Every panel individually packed in cardboard with pre-drilled holes; ready for installation

DOOR PANELS



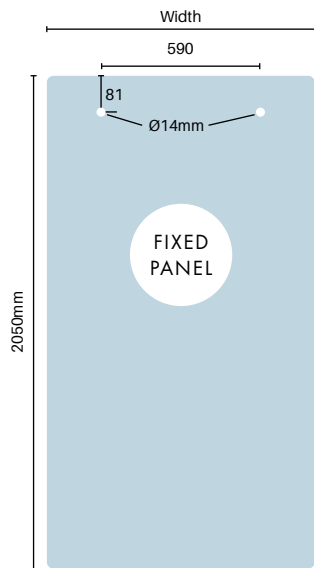
| Order Code | Width | Height | Thickness | Sqm | Weight |
|-------------|--------|--------|-----------|------|--------|
| STAL-D-0600 | 600mm | 2038mm | 10mm | 1.22 | 31kg |
| STAL-D-0700 | 700mm | 2038mm | 10mm | 1.42 | 36kg |
| STAL-D-0800 | 800mm | 2038mm | 10mm | 1.63 | 41kg |
| STAL-D-0900 | 900mm | 2038mm | 10mm | 1.83 | 46kg |
| STAL-D-1000 | 1000mm | 2038mm | 10mm | 2.04 | 51kg |



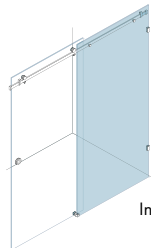
Interchangeable – left or right side



FIXED PANELS

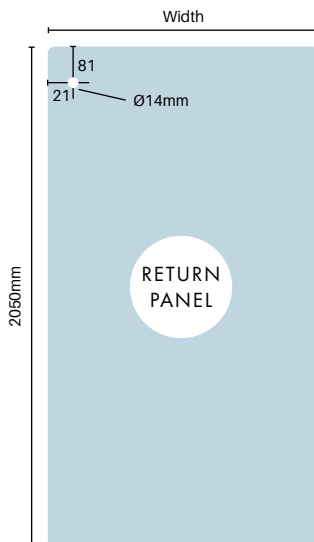


| Order Code | Width | Height | Thickness | Sqm | Weight |
|-------------|-------|--------|-----------|------|--------|
| STAL-F-0650 | 650mm | 2050mm | 10mm | 1.33 | 33kg |
| STAL-F-0750 | 750mm | 2050mm | 10mm | 1.54 | 38kg |
| STAL-F-0850 | 850mm | 2050mm | 10mm | 1.74 | 44kg |
| STAL-F-0950 | 950mm | 2050mm | 10mm | 1.95 | 49kg |

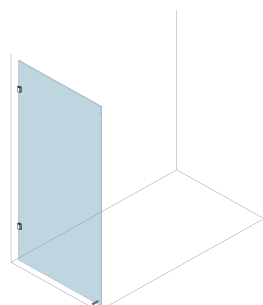


Interchangeable – left or right side

RETURN PANELS



| Order Code | Width | Height | Thickness | Sqm | Weight |
|-------------|--------|--------|-----------|------|--------|
| STAL-R-0897 | 897mm | 2050mm | 10mm | 1.84 | 46kg |
| STAL-R-1197 | 1197mm | 2050mm | 10mm | 2.45 | 61kg |



Interchangeable – left or right side

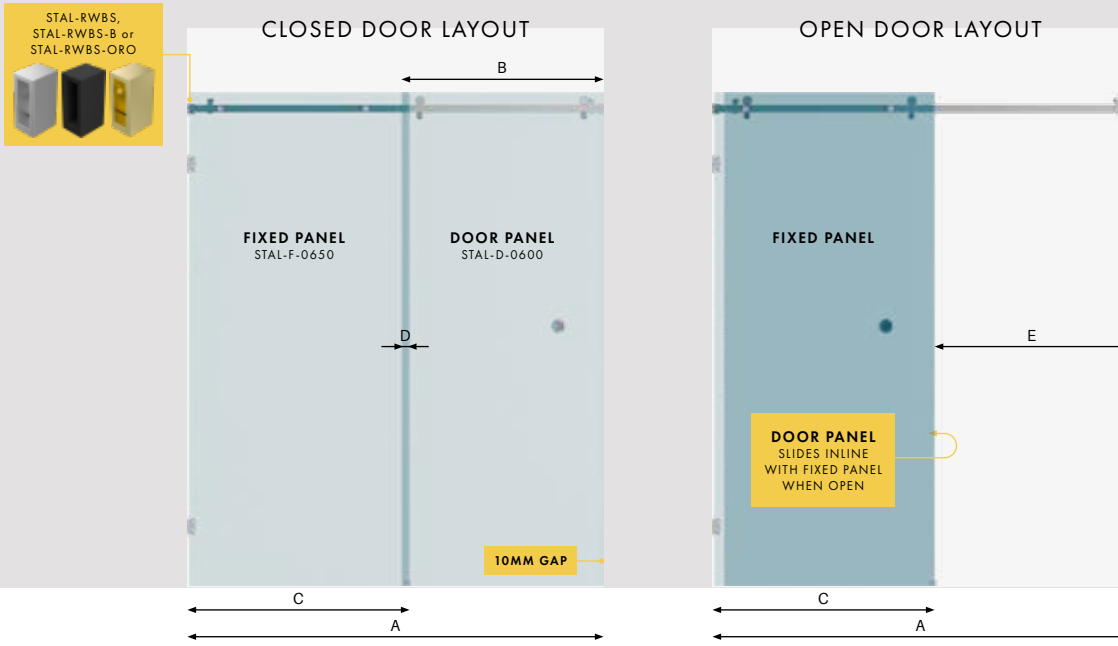
Achieve any installation size from 1200mm wide to 1940mm wide with modular panels or custom made glass

Mix and match system!
5x modular door panels
4x modular fixed panels
2x modular return panels

Superior quality
glass & hardware



DOOR SMALLER THAN FIXED PANEL



| A Overall Width | B Door Width | C Fixed Panel Width | D Overlap With Closed Door | E Opening |
|--------------------|-----------------|------------------------|-------------------------------|--------------|
| 1200mm | 600mm | 650mm | - 63mm | 547mm |
| 1205mm | 600mm | 650mm | - 58mm | 552mm |
| 1210mm | 600mm | 650mm | - 53mm | 557mm |
| 1215mm | 600mm | 650mm | - 48mm | 562mm |
| 1220mm | 600mm | 650mm | - 43mm | 567mm |
| 1225mm | 600mm | 650mm | - 38mm | 572mm |
| 1230mm | 600mm | 650mm | - 33mm | 577mm |
| 1235mm | 600mm | 650mm | - 28mm | 582mm |
| 1240mm | 600mm | 650mm | - 23mm | 587mm |

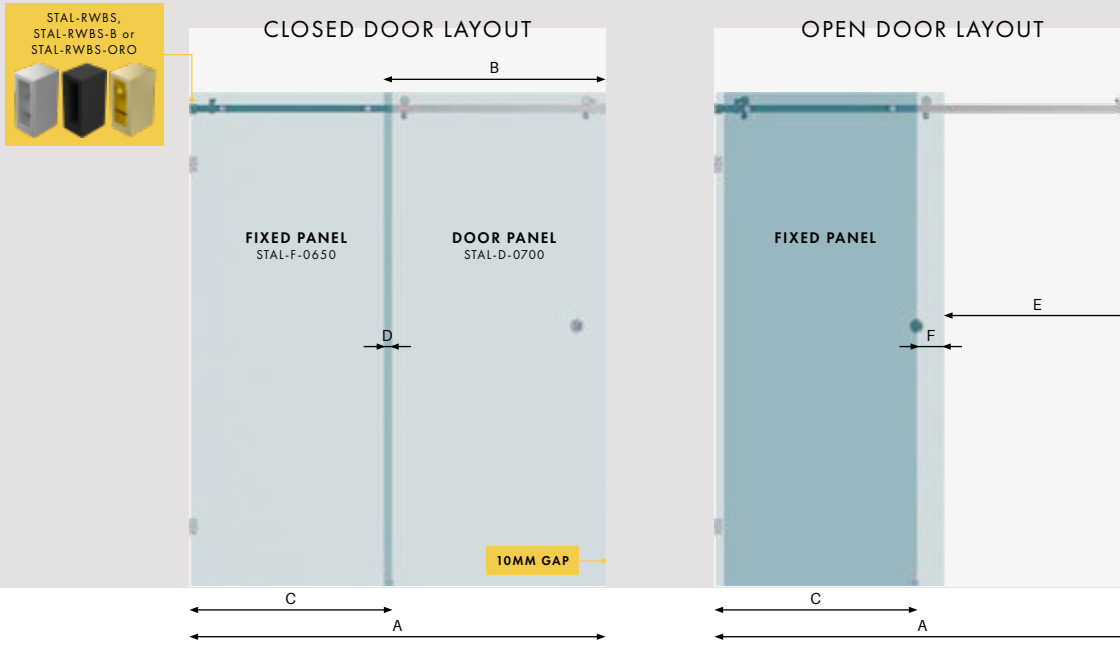


SPACINGS BASED ON THESE ASSUMPTIONS:

1. Fixed panel installed with Purity wall brackets which produces a 3mm silicon join gap. If wall channel is used, specified opening sizes overlaps, etc will change.
2. Edge of glass door must remain 10mm from wall. 10mm door bulb recommended to use for buffering or if not used, 10mm safety margin gap required.
3. When door is open, minimum 15mm gap is required from wall (for safety margin buffering).

*When using a 650mm wide fixed panel, it is important to purchase 1x slimline wall bracket separately (STAL-RWBS/STAL-RWBS-B/STAL-RWBS-ORO) due to space restrictions between the rail fixing bracket and the wall.

DOOR WIDER THAN FIXED PANEL



| A Overall Width | B Door Width | C Fixed Panel Width | D Overlap With Closed Door | E Opening | F Panel Overlap When Door Open |
|--------------------|-----------------|------------------------|-------------------------------|--------------|-----------------------------------|
| 1240mm | 700mm | 650mm | - 123mm | 525mm | 62mm |
| 1245mm | 700mm | 650mm | - 118mm | 530mm | 62mm |
| 1250mm | 700mm | 650mm | - 113mm | 535mm | 62mm |
| 1255mm | 700mm | 650mm | - 108mm | 540mm | 62mm |
| 1260mm | 700mm | 650mm | - 103mm | 545mm | 62mm |
| 1265mm | 700mm | 650mm | - 98mm | 550mm | 62mm |
| 1270mm | 700mm | 650mm | - 93mm | 555mm | 62mm |
| 1275mm | 700mm | 650mm | - 88mm | 560mm | 62mm |
| 1280mm | 700mm | 650mm | - 83mm | 565mm | 62mm |
| 1285mm | 700mm | 650mm | - 78mm | 570mm | 62mm |
| 1290mm | 700mm | 650mm | - 73mm | 575mm | 62mm |
| 1295mm | 700mm | 650mm | - 68mm | 580mm | 62mm |
| 1300mm | 700mm | 650mm | - 63mm | 585mm | 62mm |
| 1305mm | 700mm | 650mm | - 58mm | 590mm | 62mm |
| 1310mm | 700mm | 650mm | - 53mm | 595mm | 62mm |
| 1315mm | 700mm | 650mm | - 48mm | 600mm | 62mm |
| 1320mm | 700mm | 650mm | - 43mm | 605mm | 62mm |
| 1325mm | 700mm | 650mm | - 38mm | 610mm | 62mm |
| 1330mm | 700mm | 650mm | - 33mm | 615mm | 62mm |
| 1335mm | 700mm | 650mm | - 28mm | 620mm | 62mm |
| 1340mm | 700mm | 650mm | - 23mm | 625mm | 62mm |



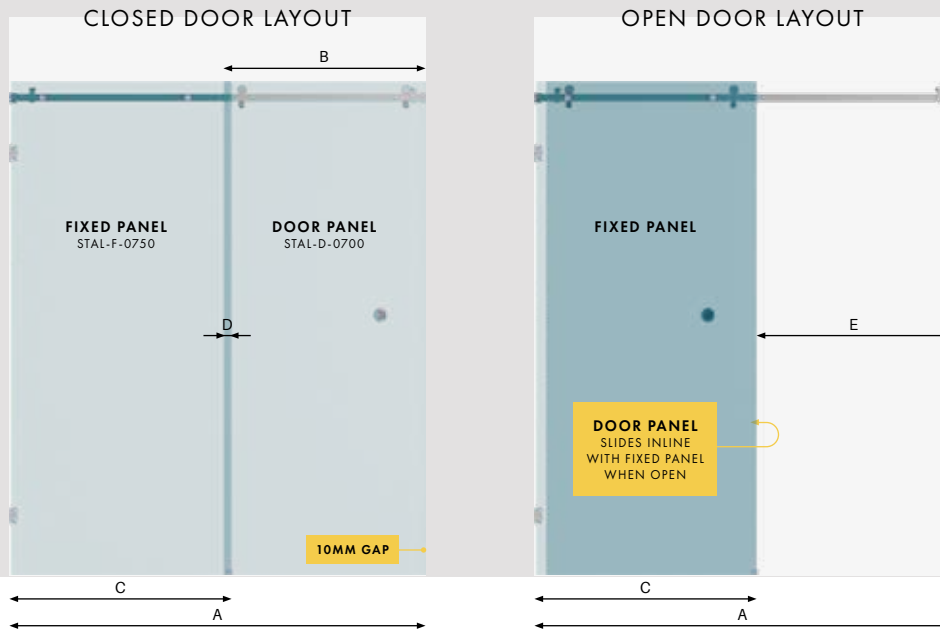
SPACINGS BASED ON THESE ASSUMPTIONS:

1. Fixed panel installed with Purity wall brackets which produces a 3mm silicon joint gap. If wall channel is used, specified opening sizes overlaps, etc will change.
2. Edge of glass door must remain 10mm from wall. 10mm door bulb recommended to use for buffering or if not used, 10mm safety margin gap required.
3. When door is open, minimum 15mm gap is required from wall (for safety margin buffering).

***When using a 650mm wide fixed panel, it is important to purchase 1x slimline wall bracket separately (STAL-RWBS/STAL-RWBS-B/STAL-RWBS-ORO) due to space restrictions between the rail fixing bracket and the wall.**



DOOR SMALLER THAN FIXED PANEL



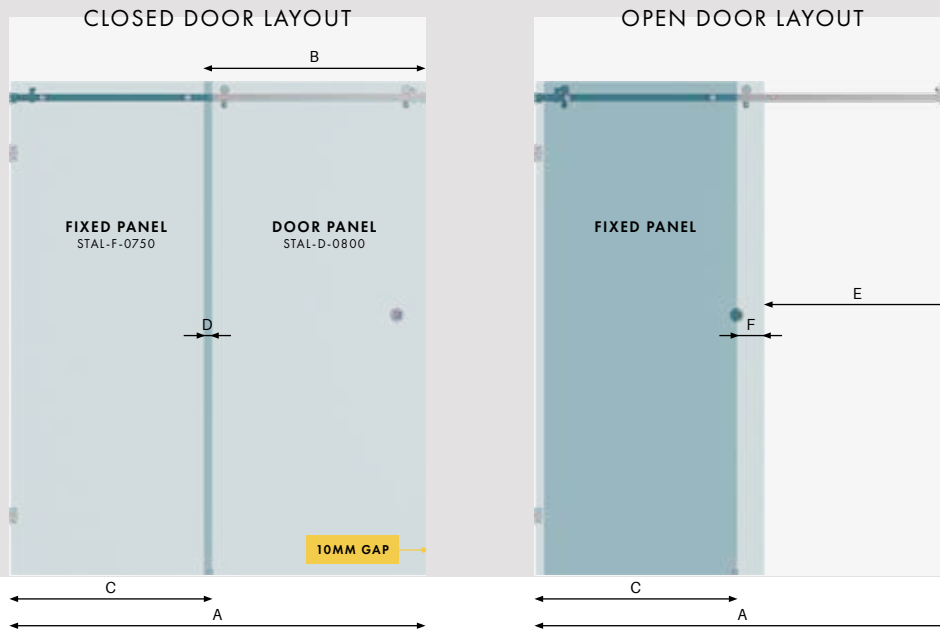
| A Overall Width | B Door Width | C Fixed Panel Width | D Overlap With Closed Door | E Opening |
|--------------------|-----------------|------------------------|-------------------------------|--------------|
| 1340mm | 700mm | 750mm | - 123mm | 587mm |
| 1345mm | 700mm | 750mm | - 118mm | 592mm |
| 1350mm | 700mm | 750mm | - 113mm | 597mm |
| 1355mm | 700mm | 750mm | - 108mm | 602mm |
| 1360mm | 700mm | 750mm | - 103mm | 607mm |
| 1365mm | 700mm | 750mm | - 98mm | 612mm |
| 1370mm | 700mm | 750mm | - 93mm | 617mm |
| 1375mm | 700mm | 750mm | - 88mm | 622mm |
| 1380mm | 700mm | 750mm | - 83mm | 627mm |
| 1385mm | 700mm | 750mm | - 78mm | 632mm |
| 1390mm | 700mm | 750mm | - 73mm | 637mm |
| 1395mm | 700mm | 750mm | - 68mm | 642mm |
| 1400mm | 700mm | 750mm | - 63mm | 647mm |
| 1405mm | 700mm | 750mm | - 58mm | 652mm |
| 1410mm | 700mm | 750mm | - 53mm | 657mm |
| 1415mm | 700mm | 750mm | - 48mm | 662mm |
| 1420mm | 700mm | 750mm | - 43mm | 667mm |
| 1425mm | 700mm | 750mm | - 38mm | 672mm |
| 1430mm | 700mm | 750mm | - 33mm | 677mm |
| 1435mm | 700mm | 750mm | - 28mm | 682mm |
| 1440mm | 700mm | 750mm | - 23mm | 687mm |



SPACINGS BASED ON THESE ASSUMPTIONS:

1. Fixed panel installed with Purity wall brackets which produces a 3mm silicon join gap. If wall channel is used, specified opening sizes overlaps, etc will change.
2. Edge of glass door must remain 10mm from wall. 10mm door bulb recommended to use for buffering or if not used, 10mm safety margin gap required.
3. When door is open, minimum 15mm gap is required from wall (for safety margin buffering).

DOOR WIDER THAN FIXED PANEL



| A Overall Width | B Door Width | C Fixed Panel Width | D Overlap With Closed Door | E Opening | F Panel Overlap When Door Open |
|--------------------|-----------------|------------------------|----------------------------------|--------------|--------------------------------------|
| 1440mm | 800mm | 750mm | - 123mm | 625mm | 62mm |
| 1445mm | 800mm | 750mm | - 118mm | 630mm | 62mm |
| 1450mm | 800mm | 750mm | - 113mm | 635mm | 62mm |
| 1455mm | 800mm | 750mm | - 108mm | 640mm | 62mm |
| 1460mm | 800mm | 750mm | - 103mm | 645mm | 62mm |
| 1465mm | 800mm | 750mm | - 98mm | 650mm | 62mm |
| 1470mm | 800mm | 750mm | - 93mm | 655mm | 62mm |
| 1475mm | 800mm | 750mm | - 88mm | 660mm | 62mm |
| 1480mm | 800mm | 750mm | - 83mm | 665mm | 62mm |
| 1485mm | 800mm | 750mm | - 78mm | 670mm | 62mm |
| 1490mm | 800mm | 750mm | - 73mm | 675mm | 62mm |
| 1495mm | 800mm | 750mm | - 68mm | 680mm | 62mm |
| 1500mm | 800mm | 750mm | - 63mm | 685mm | 62mm |
| 1505mm | 800mm | 750mm | - 58mm | 690mm | 62mm |
| 1510mm | 800mm | 750mm | - 53mm | 695mm | 62mm |
| 1515mm | 800mm | 750mm | - 48mm | 700mm | 62mm |
| 1520mm | 800mm | 750mm | - 43mm | 705mm | 62mm |
| 1525mm | 800mm | 750mm | - 38mm | 710mm | 62mm |
| 1530mm | 800mm | 750mm | - 33mm | 715mm | 62mm |
| 1535mm | 800mm | 750mm | - 28mm | 720mm | 62mm |
| 1540mm | 800mm | 750mm | - 23mm | 725mm | 62mm |

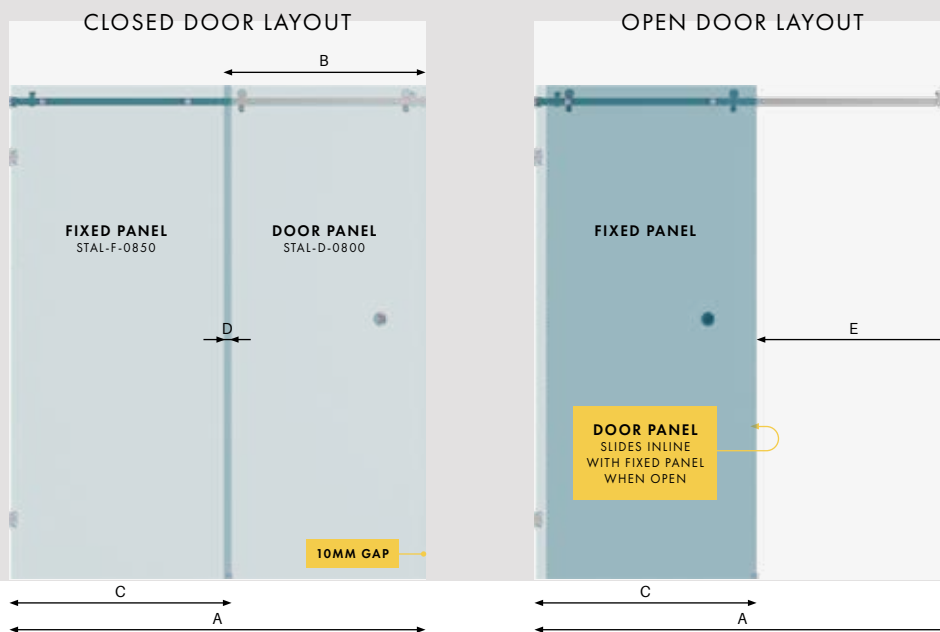


SPACINGS BASED ON THESE ASSUMPTIONS:

1. Fixed panel installed with Purity wall brackets which produces a 3mm silicon join gap. If wall channel is used, specified opening sizes overlaps, etc will change.
2. Edge of glass door must remain 10mm from wall. 10mm door bulb recommended to use for buffering or if not used, 10mm safety margin gap required.
3. When door is open, minimum 15mm gap is required from wall (for safety margin buffering).



DOOR SMALLER THAN FIXED PANEL



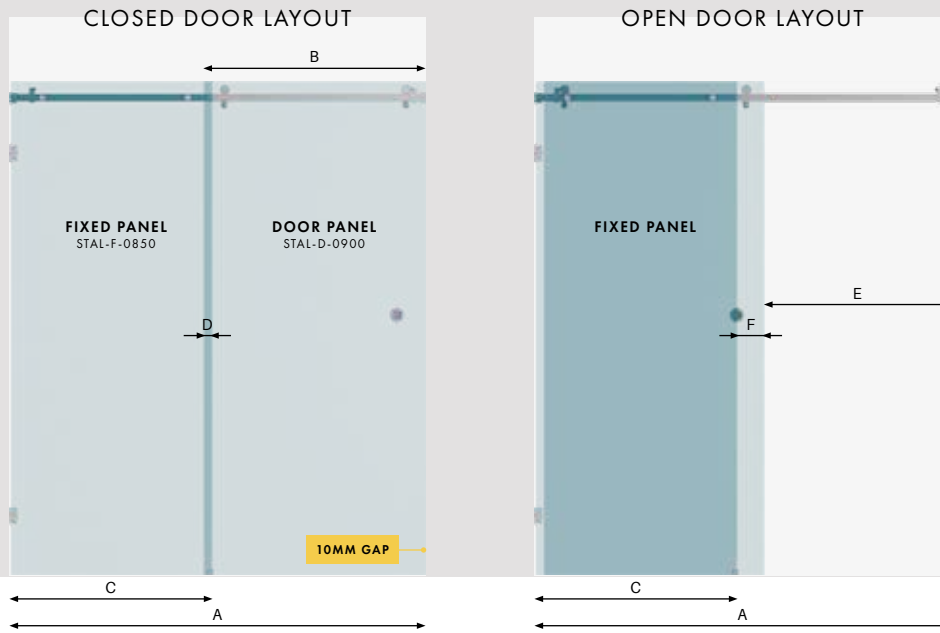
| A Overall Width | B Door Width | C Fixed Panel Width | D Overlap With Closed Door | E Opening |
|--------------------|-----------------|------------------------|-------------------------------|--------------|
| 1540mm | 800mm | 850mm | - 123mm | 687mm |
| 1545mm | 800mm | 850mm | - 118mm | 692mm |
| 1550mm | 800mm | 850mm | - 113mm | 697mm |
| 1555mm | 800mm | 850mm | - 108mm | 702mm |
| 1560mm | 800mm | 850mm | - 103mm | 707mm |
| 1565mm | 800mm | 850mm | - 98mm | 712mm |
| 1570mm | 800mm | 850mm | - 93mm | 717mm |
| 1575mm | 800mm | 850mm | - 88mm | 722mm |
| 1580mm | 800mm | 850mm | - 83mm | 727mm |
| 1585mm | 800mm | 850mm | - 78mm | 732mm |
| 1590mm | 800mm | 850mm | - 73mm | 737mm |
| 1595mm | 800mm | 850mm | - 68mm | 742mm |
| 1600mm | 800mm | 850mm | - 63mm | 747mm |
| 1605mm | 800mm | 850mm | - 58mm | 752mm |
| 1610mm | 800mm | 850mm | - 53mm | 757mm |
| 1615mm | 800mm | 850mm | - 48mm | 762mm |
| 1620mm | 800mm | 850mm | - 43mm | 767mm |
| 1625mm | 800mm | 850mm | - 38mm | 772mm |
| 1630mm | 800mm | 850mm | - 33mm | 777mm |
| 1635mm | 800mm | 850mm | - 28mm | 782mm |
| 1640mm | 800mm | 850mm | - 23mm | 787mm |



SPACINGS BASED ON THESE ASSUMPTIONS:

1. Fixed panel installed with Purity wall brackets which produces a 3mm silicon join gap. If wall channel is used, specified opening sizes overlaps, etc will change.
2. Edge of glass door must remain 10mm from wall. 10mm door bulb recommended to use for buffering or if not used, 10mm safety margin gap required.
3. When door is open, minimum 15mm gap is required from wall (for safety margin buffering).

DOOR WIDER THAN FIXED PANEL



| A Overall Width | B Door Width | C Fixed Panel Width | D Overlap With Closed Door | E Opening | F Panel Overlap When Door Open |
|--------------------|-----------------|------------------------|----------------------------------|--------------|--------------------------------------|
| 1640mm | 900mm | 850mm | - 123mm | 625mm | 62mm |
| 1645mm | 900mm | 850mm | - 118mm | 630mm | 62mm |
| 1650mm | 900mm | 850mm | - 113mm | 635mm | 62mm |
| 1655mm | 900mm | 850mm | - 108mm | 640mm | 62mm |
| 1660mm | 900mm | 850mm | - 103mm | 645mm | 62mm |
| 1665mm | 900mm | 850mm | - 98mm | 650mm | 62mm |
| 1670mm | 900mm | 850mm | - 93mm | 655mm | 62mm |
| 1675mm | 900mm | 850mm | - 88mm | 660mm | 62mm |
| 1680mm | 900mm | 850mm | - 83mm | 665mm | 62mm |
| 1685mm | 900mm | 850mm | - 78mm | 670mm | 62mm |
| 1690mm | 900mm | 850mm | - 73mm | 675mm | 62mm |
| 1695mm | 900mm | 850mm | - 68mm | 680mm | 62mm |
| 1700mm | 900mm | 850mm | - 63mm | 685mm | 62mm |
| 1705mm | 900mm | 850mm | - 58mm | 690mm | 62mm |
| 1710mm | 900mm | 850mm | - 53mm | 695mm | 62mm |
| 1715mm | 900mm | 850mm | - 48mm | 700mm | 62mm |
| 1720mm | 900mm | 850mm | - 43mm | 705mm | 62mm |
| 1725mm | 900mm | 850mm | - 38mm | 710mm | 62mm |
| 1730mm | 900mm | 850mm | - 33mm | 715mm | 62mm |
| 1735mm | 900mm | 850mm | - 28mm | 720mm | 62mm |
| 1740mm | 900mm | 850mm | - 23mm | 725mm | 62mm |

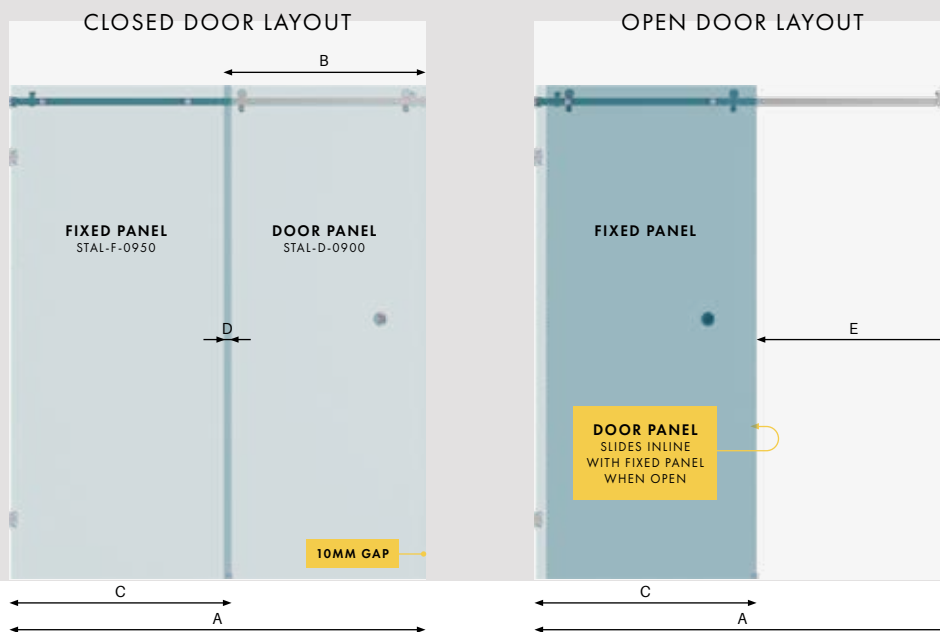


SPACINGS BASED ON THESE ASSUMPTIONS:

1. Fixed panel installed with Purity wall brackets which produces a 3mm silicon join gap. If wall channel is used, specified opening sizes overlaps, etc will change.
2. Edge of glass door must remain 10mm from wall. 10mm door bulb recommended to use for buffering or if not used, 10mm safety margin gap required.
3. When door is open, minimum 15mm gap is required from wall (for safety margin buffering).



DOOR SMALLER THAN FIXED PANEL



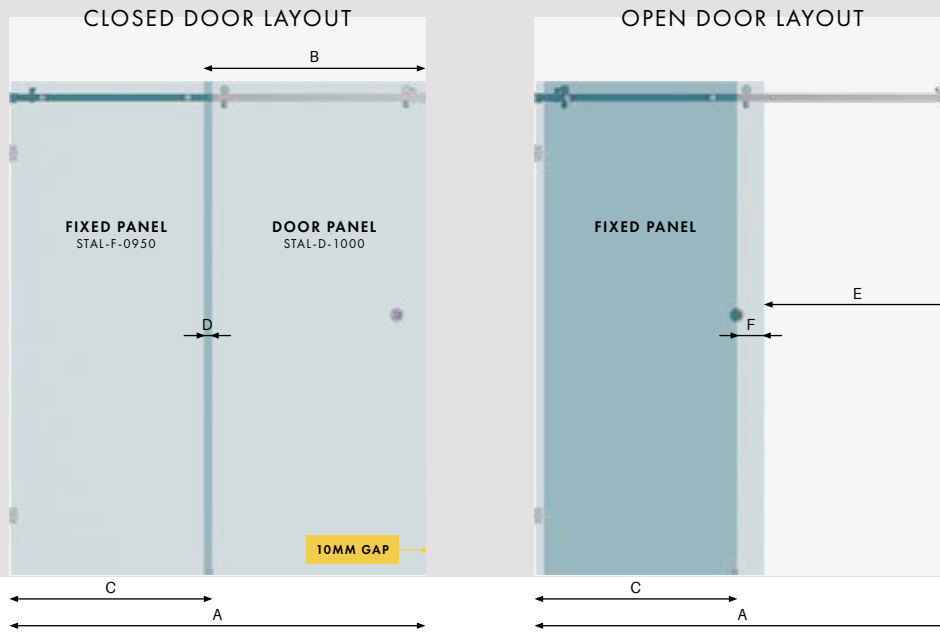
| A Overall Width | B Door Width | C Fixed Panel Width | D Overlap With Closed Door | E Opening |
|--------------------|-----------------|------------------------|-------------------------------|--------------|
| 1740mm | 900mm | 950mm | - 123mm | 687mm |
| 1745mm | 900mm | 950mm | - 118mm | 692mm |
| 1750mm | 900mm | 950mm | - 113mm | 697mm |
| 1755mm | 900mm | 950mm | - 108mm | 702mm |
| 1760mm | 900mm | 950mm | - 103mm | 707mm |
| 1765mm | 900mm | 950mm | - 98mm | 712mm |
| 1770mm | 900mm | 950mm | - 93mm | 717mm |
| 1775mm | 900mm | 950mm | - 88mm | 722mm |
| 1780mm | 900mm | 950mm | - 83mm | 727mm |
| 1785mm | 900mm | 950mm | - 78mm | 732mm |
| 1790mm | 900mm | 950mm | - 73mm | 737mm |
| 1795mm | 900mm | 950mm | - 68mm | 742mm |
| 1800mm | 900mm | 950mm | - 63mm | 747mm |
| 1805mm | 900mm | 950mm | - 58mm | 752mm |
| 1810mm | 900mm | 950mm | - 53mm | 757mm |
| 1815mm | 900mm | 950mm | - 48mm | 762mm |
| 1820mm | 900mm | 950mm | - 43mm | 767mm |
| 1825mm | 900mm | 950mm | - 38mm | 772mm |
| 1830mm | 900mm | 950mm | - 33mm | 777mm |
| 1835mm | 900mm | 950mm | - 28mm | 782mm |
| 1840mm | 900mm | 950mm | - 23mm | 787mm |



SPACINGS BASED ON THESE ASSUMPTIONS:

1. Fixed panel installed with Purity wall brackets which produces a 3mm silicon join gap. If wall channel is used, specified opening sizes overlaps, etc will change.
2. Edge of glass door must remain 10mm from wall. 10mm door bulb recommended to use for buffering or if not used, 10mm safety margin gap required.
3. When door is open, minimum 15mm gap is required from wall (for safety margin buffering).

DOOR WIDER THAN FIXED PANEL



| A Overall Width | B Door Width | C Fixed Panel Width | D Overlap With Closed Door | E Opening | F Panel Overlap When Door Open |
|--------------------|-----------------|------------------------|----------------------------------|--------------|--------------------------------------|
| 1840mm | 1000mm | 950mm | - 123mm | 625mm | 62mm |
| 1845mm | 1000mm | 950mm | - 118mm | 630mm | 62mm |
| 1850mm | 1000mm | 950mm | - 113mm | 635mm | 62mm |
| 1855mm | 1000mm | 950mm | - 108mm | 640mm | 62mm |
| 1860mm | 1000mm | 950mm | - 103mm | 645mm | 62mm |
| 1865mm | 1000mm | 950mm | - 98mm | 650mm | 62mm |
| 1870mm | 1000mm | 950mm | - 93mm | 655mm | 62mm |
| 1875mm | 1000mm | 950mm | - 88mm | 660mm | 62mm |
| 1880mm | 1000mm | 950mm | - 83mm | 665mm | 62mm |
| 1885mm | 1000mm | 950mm | - 78mm | 670mm | 62mm |
| 1890mm | 1000mm | 950mm | - 73mm | 675mm | 62mm |
| 1895mm | 1000mm | 950mm | - 68mm | 680mm | 62mm |
| 1900mm | 1000mm | 950mm | - 63mm | 685mm | 62mm |
| 1905mm | 1000mm | 950mm | - 58mm | 690mm | 62mm |
| 1910mm | 1000mm | 950mm | - 53mm | 695mm | 62mm |
| 1915mm | 1000mm | 950mm | - 48mm | 700mm | 62mm |
| 1920mm | 1000mm | 950mm | - 43mm | 705mm | 62mm |
| 1925mm | 1000mm | 950mm | - 38mm | 710mm | 62mm |
| 1930mm | 1000mm | 950mm | - 33mm | 715mm | 62mm |
| 1935mm | 1000mm | 950mm | - 28mm | 720mm | 62mm |
| 1940mm | 1000mm | 950mm | - 23mm | 725mm | 62mm |



SPACINGS BASED ON THESE ASSUMPTIONS:

1. Fixed panel installed with Purity wall brackets which produces a 3mm silicon join gap. If wall channel is used, specified opening sizes overlaps, etc will change.
2. Edge of glass door must remain 10mm from wall. 10mm door bulb recommended to use for buffering or if not used, 10mm safety margin gap required.
3. When door is open, minimum 15mm gap is required from wall (for safety margin buffering).



TRILOGY

AUSTRALIA'S LEADING PIVOT DOOR SHOWER SCREEN SYSTEM

EXTREMELY COST EFFECTIVE | HUGE WIDTH ADJUSTABILITY | LARGE RANGE OF SIZES | EASY TO INSTALL





TRIOLOGY SERIES OVERVIEW

The TRIOLOGY showerscreen system, available in bright polish or matt black frame finish, is a stylish and affordable semi-frameless solution for any bathroom. The overlapping pivot door system enables incredible width adjustability. This flexibility of installation does not compromise quality or aesthetic appeal.

Adjustability having regard to both width and wall squareness is the key to the TRIOLOGY Series allowing ease of install and overcomes the traditional problem of exact sizes needed for a specific shower openings.

KEY FEATURES

- Cost effective
- Bright polish or matt black frame finish
- Inline and return panels are pre-assembled for fast installation
- 1950mm high
- Achieve widths from 795mm to 1550mm with Inline range* (ie fixed panel and pivot door)
- Return panels in 3 popular widths (or frame extrusion kits available to make any width)
- U channel installation against walls overcome out of square issues
- Robust pivot door system featuring superior water leakage prevention with "L" shape bottom rail and magnetic door close

* Cannot achieve between 1370mm and 1400mm for inline configurations

* Cannot achieve between 1382mm and 1388mm for inline front & return panel configurations

The Trilogy system is a robust, easy to install pivot door showerscreen that is stylish while providing superior protection against water escape.

FACTORY FEATURES

We are committed to supplying the trade with the finest quality goods at Australia's most competitive prices. Production of the TRIOLOGY series is undertaken at a world leading production facility utilising detailed quality control procedures. Examples of control measures in place:



Comprehensive internal carton packing to minimise transport and storage damage



Carton cardboard tested for strength and breakage points. Thick cardboard is used for long term storage safety



In-house salt spray testing - tests aluminium extrusion for durability of coating



TRILOGY SERIES SYSTEM OVERVIEW

1 Grade 'A' toughened glass - AS/NZS2208 compliant

Door & return panel 6mm clear toughened; fixed panel 5mm clear toughened - Silk screen compliance logo on glass

2 Pivot hinges - High quality

Stylish square shape; smooth function and minimal friction for ease of operation

Pivot door allows for overlap of fixed panel = water seal



3 Magnetic closure & water seals

Full length magnetic door seal for rattle free closure and provides enhanced water seal

Bottom door seals also included

4 Frameless door with round knob

Modern frameless 6mm clear toughened door

Solid door knob for durability (not chromed plastic)

5 Slimline strong aluminium frame

Frame with minimalist low profile framing system

'L' shape extrusion profile at door base minimises water escape potential

6 Fully reversible door - left or right opening

Simply flip and rotate pre-assembled fixed panel with door to suit left or right opening - so easy!

7 U channels allow flexibility for installation

Slimline profile U channels allow installation for out of square wall situations

Additionally U channels allow 20mm extra width adjustment

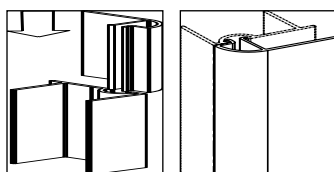
8 Install on tiles or showerbases

9 Return panel install is so easy

Simply slide the innovative 90 degree adapter into inline panel

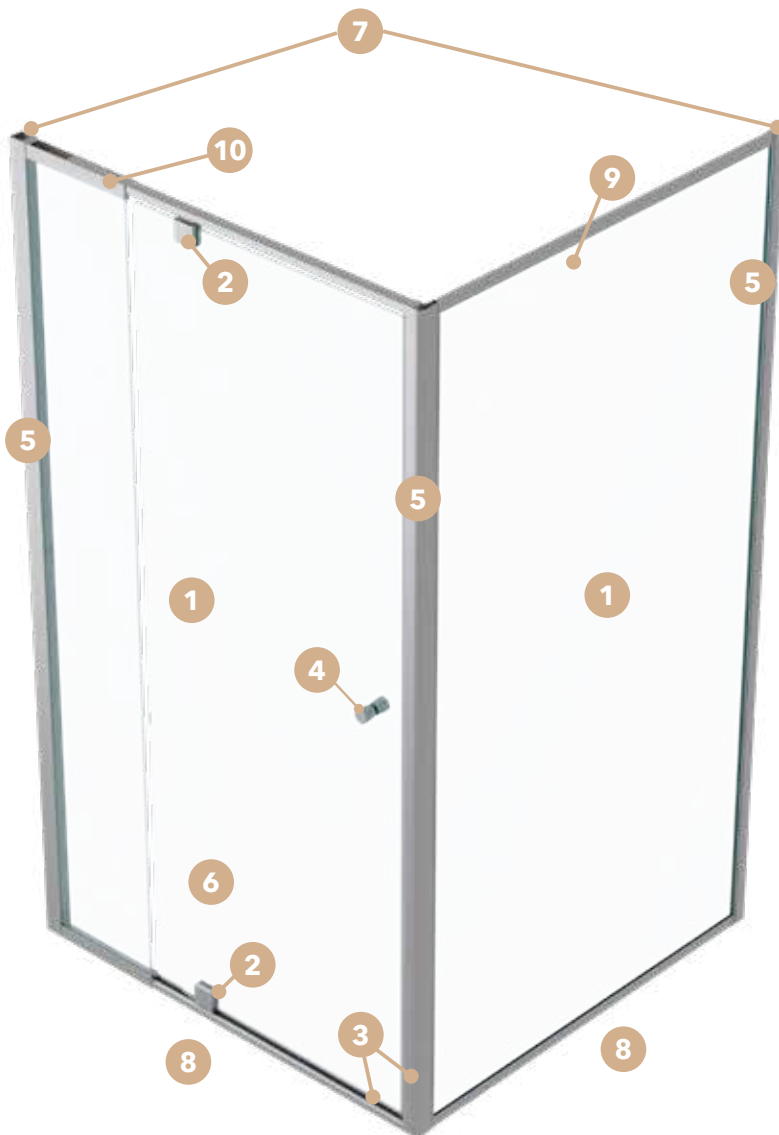
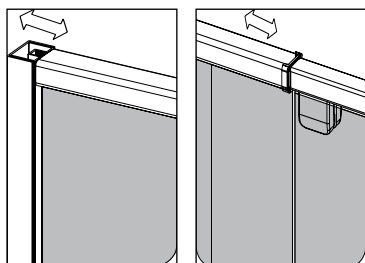
Then insert return panel to complete!

Adapter provided with every return panel



10 Easy telescopic adjustment: WIDTH ADJUSTABLE

Innovative design allows extrusion to telescopically move in & out for door width adjustment





TRILOGY SERIES INLINE CONFIGURATION



INLINE CONFIGURATION

IDEAL BETWEEN WALL OPENINGS

7 Sizes available:

- 800mm wide x 1950mm high
- 850mm wide x 1950mm high
- 900mm wide x 1950mm high
- 1050mm wide x 1950mm high
- 1200mm wide x 1950mm high
- 1350mm wide x 1950mm high
- 1500mm wide x 1950mm high

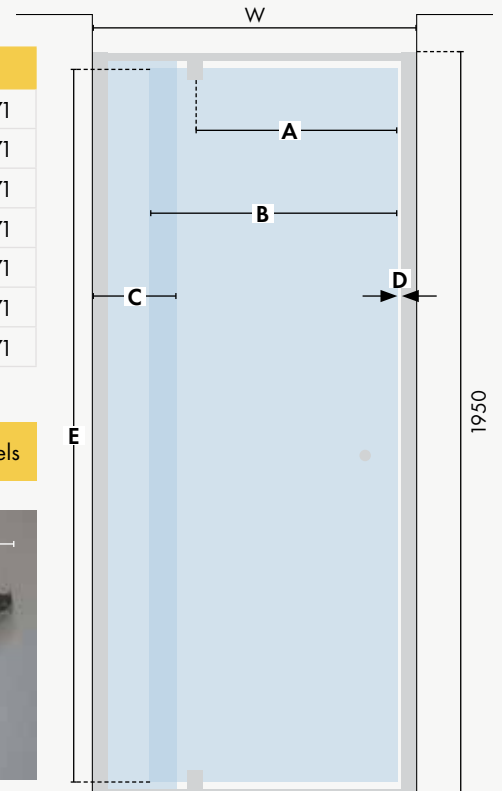
Complete kit consists of:

- 1x door panel - 6mm clear toughened glass
- 1x fixed semi-framed panel - 5mm clear toughened glass
- (Pivot door and fixed panel pre-assembled with bright silver or matt black aluminium slimline frame)

General Inline Panel Specifications

| Code | W | A | B | C | D | E |
|-----------------------------|-----------|-----|-----|-----|---|------|
| TSC-0800-IA/TSC-0800-IA-BLK | 795-850 | 517 | 655 | 193 | 5 | 1871 |
| TSC-0850-IA/TSC-0850-IA-BLK | 845-900 | 567 | 704 | 193 | 5 | 1871 |
| TSC-0900-IA/TSC-0900-IA-BLK | 885-990 | 567 | 754 | 233 | 5 | 1871 |
| TSC-1050-IA/TSC-1050-IA-BLK | 985-1090 | 567 | 754 | 333 | 5 | 1871 |
| TSC-1200-IA/TSC-1200-IA-BLK | 1085-1230 | 567 | 794 | 433 | 5 | 1871 |
| TSC-1350-IA/TSC-1350-IA-BLK | 1225-1370 | 567 | 794 | 573 | 5 | 1871 |
| TSC-1500-IA/TSC-1500-IA-BLK | 1400-1550 | 567 | 794 | 753 | 5 | 1871 |

*Measurements in MM



TIP: Minimum wall to wall measurements (W) allows for fitting the inline front to installed wall channels

STEP 1



STEP 2





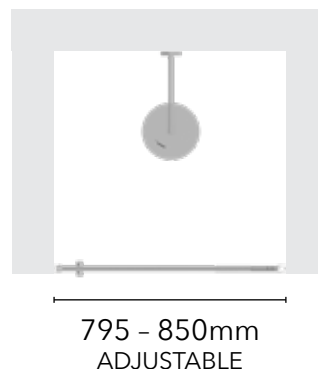
TRIOLOGY SERIES INLINE PANELS



INLINE 800
Pivot door with fixed panel
800mm wide x 1950mm high
Bright silver or matt black finish
Order Code: TSC-0800-IA (Bright silver)
TSC-0800-IA-BLK (Matt black)

- Pivot door with fixed panel
- Bright silver or matt black finish
- Complete flat pack
- Easily width adjustable with telescopic extrusion design

TOP VIEW



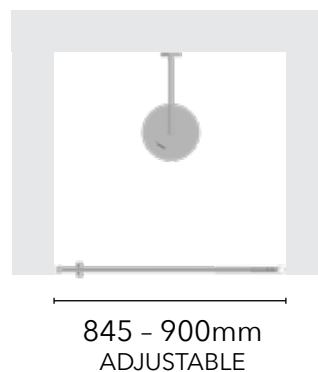
800mm series actual door size is
653mm wide x 1871mm high
Fixed/infill glass panel size is
180mm wide x 1911mm high



INLINE 850
Pivot door with fixed panel
850mm wide x 1950mm high
Bright silver or matt black finish
Order Code: TSC-0850-IA (Bright silver)
TSC-0850-IA-BLK (Matt black)

- Pivot door with fixed panel
- Bright silver or matt black finish
- Complete flat pack
- Easily width adjustable with telescopic extrusion design

TOP VIEW



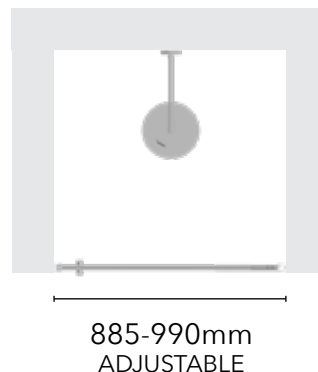
850mm series actual door size is
702mm wide x 1871mm high
Fixed/infill glass panel size is
180mm wide x 1911mm



INLINE 900
Pivot door with fixed panel
900mm wide x 1950mm high
Bright silver or matt black finish
Order Code: TSC-0900-IA (Bright silver)
TSC-0900-IA-BLK (Matt black)

- Pivot door with fixed panel
- Bright silver or matt black finish
- Complete flat pack
- Easily width adjustable with telescopic extrusion design

TOP VIEW



900mm series actual door size is
752mm wide x 1871mm high
Fixed/infill glass panel size is
220mm wide x 1911mm



TRILOGY SERIES INLINE PANELS



INLINE 1050

Pivot door with fixed panel

1050mm wide x 1950mm high

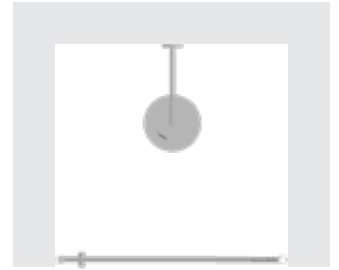
Bright silver or matt black finish

Order Code: TSC-1050-IA (Bright silver)

TSC-1050-IA-BLK (Matt black)

- Pivot door with fixed panel
- Bright silver or matt black finish
- Complete flat pack
- Easily width adjustable with telescopic extrusion design

TOP VIEW



985-1090mm
ADJUSTABLE

1050mm series actual door size is
752mm wide x 1871mm high

Fixed/infill glass panel size is
320mm wide x 1911mm



INLINE 1200

Pivot door with fixed panel

1200mm wide x 1950mm high

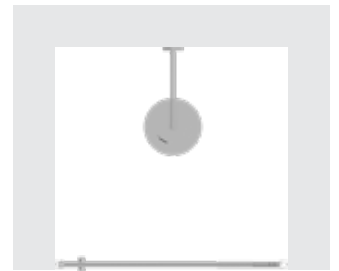
Bright silver or matt black finish

Order Code: TSC-1200-IA (Bright silver)

TSC-1200-IA-BLK (Matt black)

- Pivot door with fixed panel
- Bright silver or matt black finish
- Complete flat pack
- Easily width adjustable with telescopic extrusion design

TOP VIEW



1085-1230mm
ADJUSTABLE

1200mm series actual door size is
792mm wide x 1871mm high

Fixed/infill glass panel size is
420mm wide x 1911mm



INLINE 1350

Pivot door with fixed panel

1350mm wide x 1950mm high

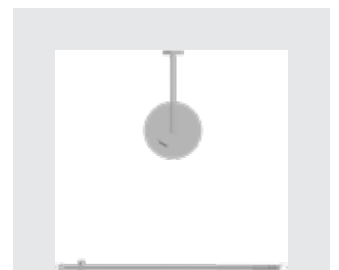
Bright silver or matt black finish

Order Code: TSC-1350-IA (Bright silver)

TSC-1350-IA-BLK (Matt black)

- Pivot door with fixed panel
- Bright silver or matt black finish
- Complete flat pack
- Easily width adjustable with telescopic extrusion design

TOP VIEW



1225-1370mm
ADJUSTABLE

1350mm series actual door size is
792mm wide x 1871mm high

Fixed/infill glass panel size is
560mm wide x 1911mm



TRIOLOGY SERIES INLINE PANELS



INLINE 1500

Pivot door with fixed panel
1500mm wide x 1950mm high

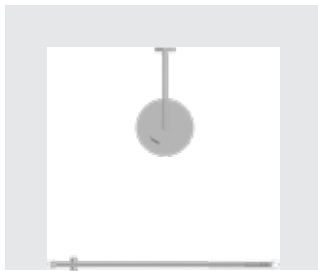
Bright silver or matt black finish

Order Code: TSC-1500-IA (Bright silver)

TSC-1500-IA-BLK (Matt black)

- Pivot door with fixed panel
- Bright silver or matt black finish
- Complete flat pack
- Easily width adjustable with telescopic extrusion design

TOP VIEW



1400-1550mm
ADJUSTABLE

1500mm series actual door size is

792mm wide x 1871mm high

Fixed/infill glass panel size is

740mm wide x 1911mm





TRILOGY SERIES RETURN CONFIGURATION



RETURN PANEL
ALLOWS FOR

L SHAPE CONFIGURATION

SIMPLY PURCHASE OPTIONAL EXTRA RETURN PANEL TO EASILY SLOT INTO INLINE PANEL

3 Returns available:

890mm, 910mm, 1010mm wide x
1950mm high

Return panel kit consists of:

- 1x glass panel - 6mm clear toughened glass (Glass pre-assembled with silver frame or matt black frame)
- 1 x 90 degree adaptor included which inserts into inline panel)
- 1 x U Channel - install against wall

850mm return:
adjustable 830 - 850mm

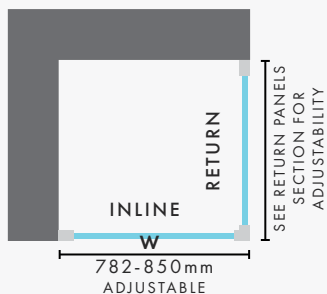
890mm return:
adjustable 870 - 890mm

910mm return:
adjustable width 890 - 910mm

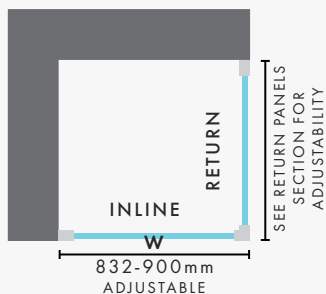
1010mm return:
adjustable width 990 - 1010mm

L SHAPE WIDTH ADJUSTMENT GUIDE

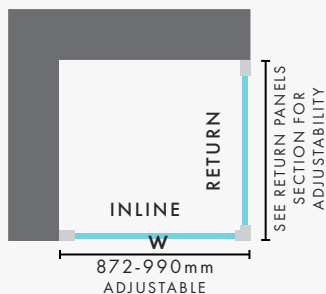
800MM SERIES



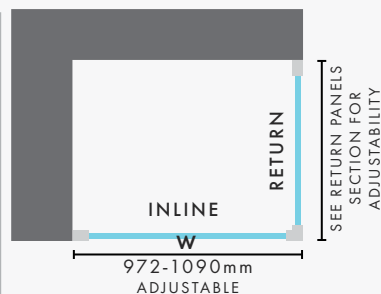
850MM SERIES



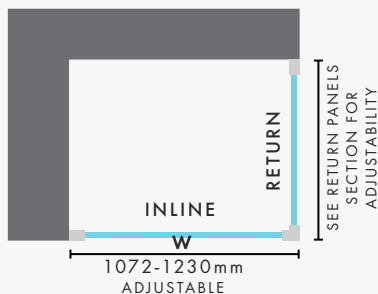
900MM SERIES



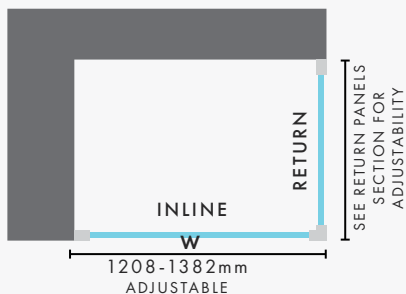
1050MM SERIES



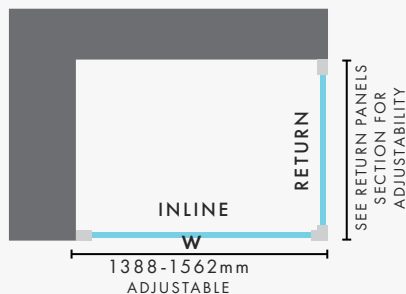
1200MM SERIES



1350MM SERIES



1500MM SERIES



W = Wall to the outer of the 90 degree adaptor



TRILOGY SERIES RETURN PANELS

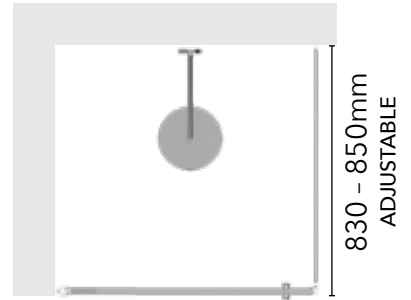


RETURN 850 Fully framed return panel 850mm wide x 1950mm high

Bright silver or matt black
Order Code: TSCR-0850-R (Bright silver)
TSCR-0850-R-BLK (Matt black)

- Fixed return panel
- Bright silver or matt black finish
- Complete flat pack
- Easily width adjustable
- U channel install to wall for ease of install & overcoming potential out of square wall issues

TOP VIEW

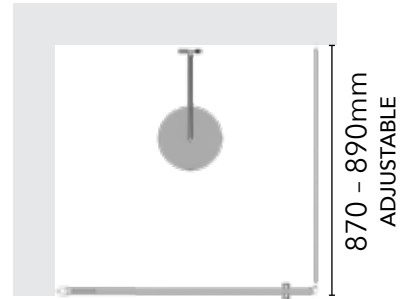


RETURN 890 Fully framed return panel 890mm wide x 1950mm high

Bright silver or matt black
Order Code: TSCR-0890-R (Bright silver)
TSCR-0890-R-BLK (Matt black)

- Fixed return panel
- Bright silver or matt black finish
- Complete flat pack
- Easily width adjustable
- U channel install to wall for ease of install & overcoming potential out of square wall issues

TOP VIEW

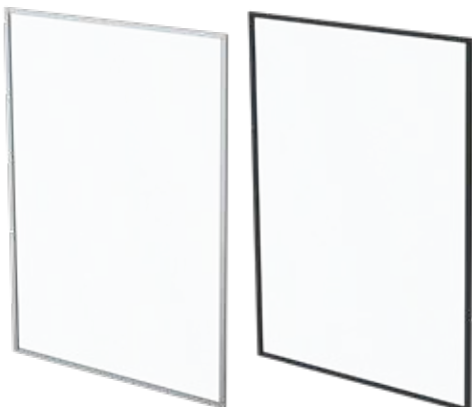
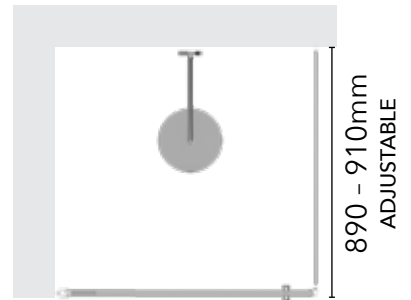


RETURN 910 Fully framed return panel 910mm wide x 1950mm high

Bright silver or matt black finish
Order Code: TSCR-0910-R (Bright silver)
TSCR-0910-R-BLK (Matt black)

- Fixed return panel
- Bright silver or matt black finish
- Complete flat pack
- Easily width adjustable
- U channel install to wall for ease of install & overcoming potential out of square wall issues

TOP VIEW

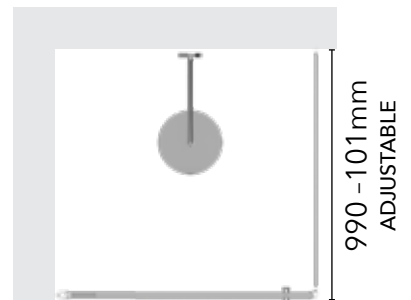


RETURN 1010 Fully framed return panel 1010mm wide x 1950mm high

Bright silver or matt black
Order Code: TSCR-1010-R (Bright silver)
TSCR-1010-R-BLK (Matt black)

- Fixed return panel
- Bright silver or matt black finish
- Complete flat pack
- Easily width adjustable
- U channel install to wall for ease of install & overcoming potential out of square wall issues

TOP VIEW





TRILOGY SERIES RETURN KITS

For custom sized RETURN panels, complete kits are available in bright polish or matt black with all items except the 6mm toughened glass panels (or 6.38mm laminated glass). The complete kit avoids the requirement to purchase long lengths of extrusions, glazing rubber and accessories separately. The kits are packed in sturdy cardboard cartons for ease of storage and handling. Contact us for easy to use Excel calculator which specifies cut lengths of aluminium and make size of glass.

Simply input return panel width and height required and the Excel document provides the specifications.

Framed return panel kit

SUITS UP TO 2150MM H x 1200MM W

Bright polish or matt black finish

Order Code: TL-KIT-RTN-S (Bright silver)

TL-KIT-RTN-BLK (Matt black)

INCLUDED IN KIT:

| | Desc. | Spec. | Qty. | | Desc. | Spec. | Qty. |
|--|---|--------|------|--|---|-------|------|
| | 90 degree adapter Bright polish or matt black alloy 6063-T5 | 2150mm | 1 | | 90 top caps (1x left & 1x right) ABS Chrome or black | - | 2 |
| | Wall U channel Bright polish or matt black alloy 6063-T5 | 2150mm | 1 | | Ø6mm x 29mm wall plugs PE | - | 4 |
| | Top/bottom horizontal rail Bright polish or matt black alloy 6063-T5 | 1109mm | 2 | | ST4x30 pan head wall screws S3304 | - | 4 |
| | Vertical stile Bright polish or matt black alloy 6063-T5 | 2150mm | 2 | | ST4x10 CSK fixing screws S3304 | - | 5 |
| | 6mm U channel glazing rubber EVA | 6498mm | 1 | | ST4x30 pan head top/bottom rail screws S3304 | - | 4 |
| | | | | | 3.2x7 rivets Aluminium – silver or black | - | 5 |
| | | | | | Screw covers PVC – silver or black | - | 3 |

INLINE & RETURN PANELS SOLD SEPARATELY

135° framed adaptor kit

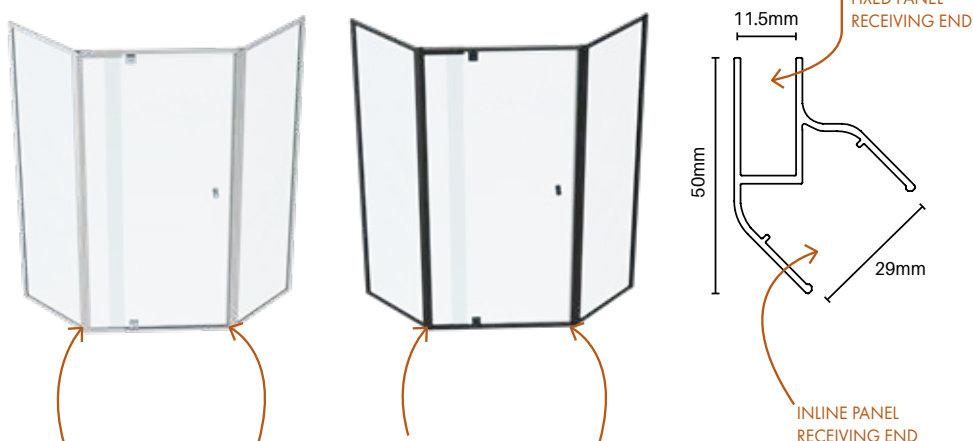
2 Pack

Bright polish or matt black finish

Order Code: TSS-135EXT-2PK (Bright silver)

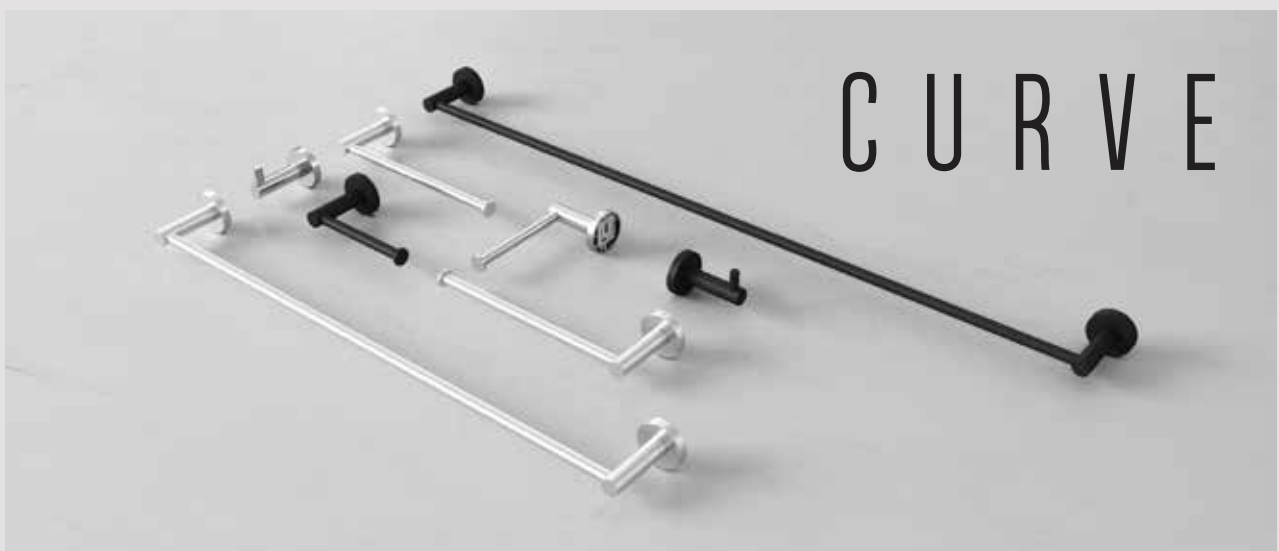
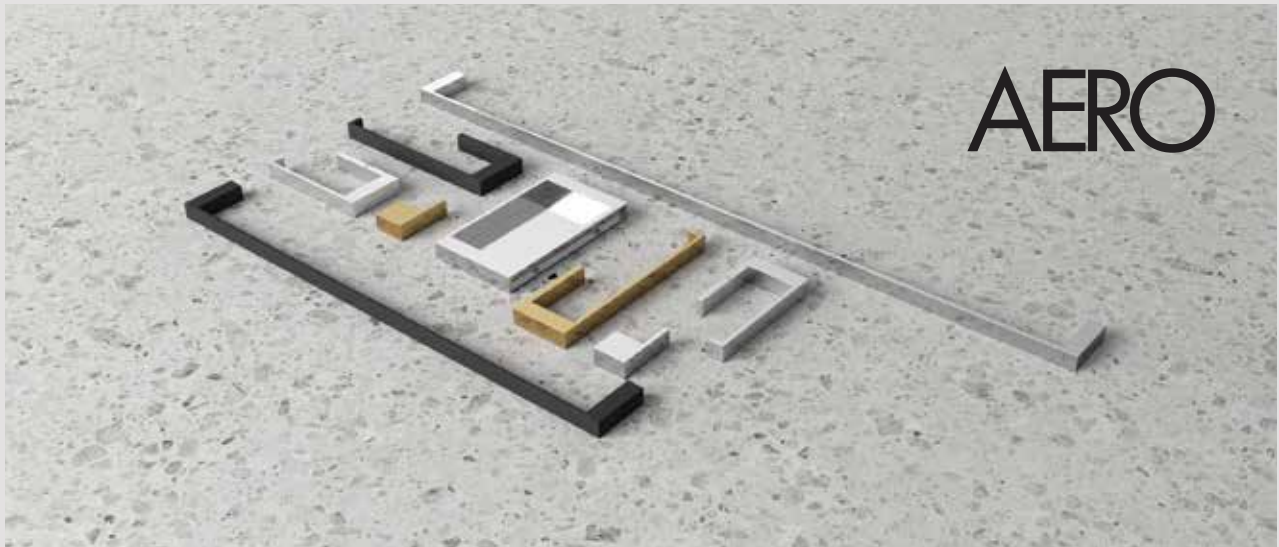
TSS-135EXT-2PK-BLK (Matt black)

- Enables installation in a 135 degree configuration with 2 x return panels & 1 x inline panel
- 2 x lengths per kit – each 2150mm long
- Suits left & right door opening door
- Bright silver or matt black finish
- Use with Trilogy complete return panels and inline panels to create the 135 configuration
- If 2 x smaller return panels are required, custom made panels can easily be fabricated using the framed return extrusion kits to fully frame 2 x pieces of custom glass





Meet our bathware ranges





AERO

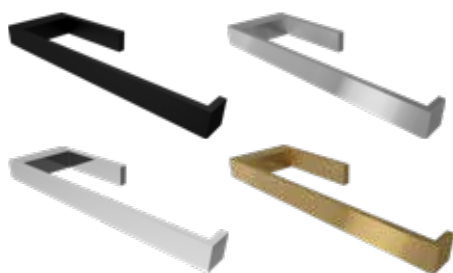
Designed with clean lines and careful consideration to proportions, the stylish Aero range will lift any bathroom. Hidden fixings ensure both ease of installation and stunning visual completion. Made from durable stainless steel 304, long lasting fittings are assured. Available in polish, satin, matt black and brushed brass/gold finishes.



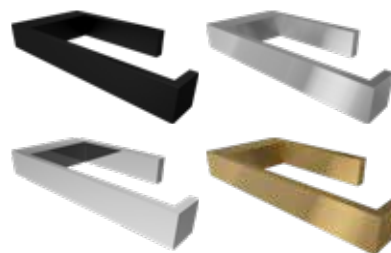
Towel rail / 900mm



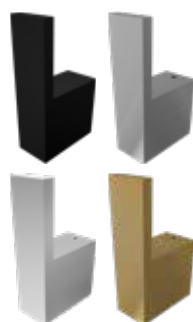
Towel rail / 600mm



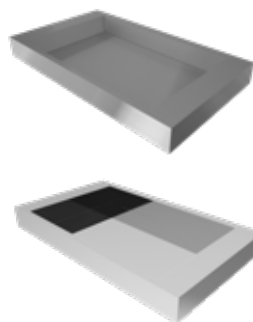
Hand towel rail



Toilet roll holder



Towel hook

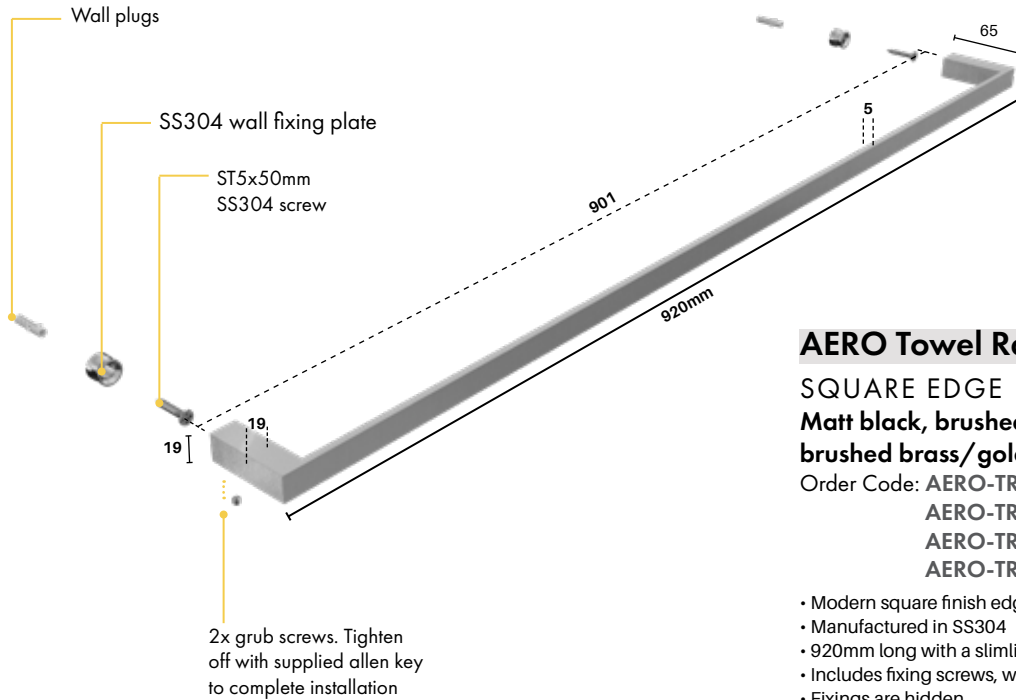


Shelf · dish



AERO RANGE

TOWEL RAIL / 900



AVAILABLE FINISHES



AERO Towel Rail 900

SQUARE EDGE

Matt black, brushed satin, polish & brushed brass/gold finish

Order Code: **AERO-TR-0900-B (Matt Black)**

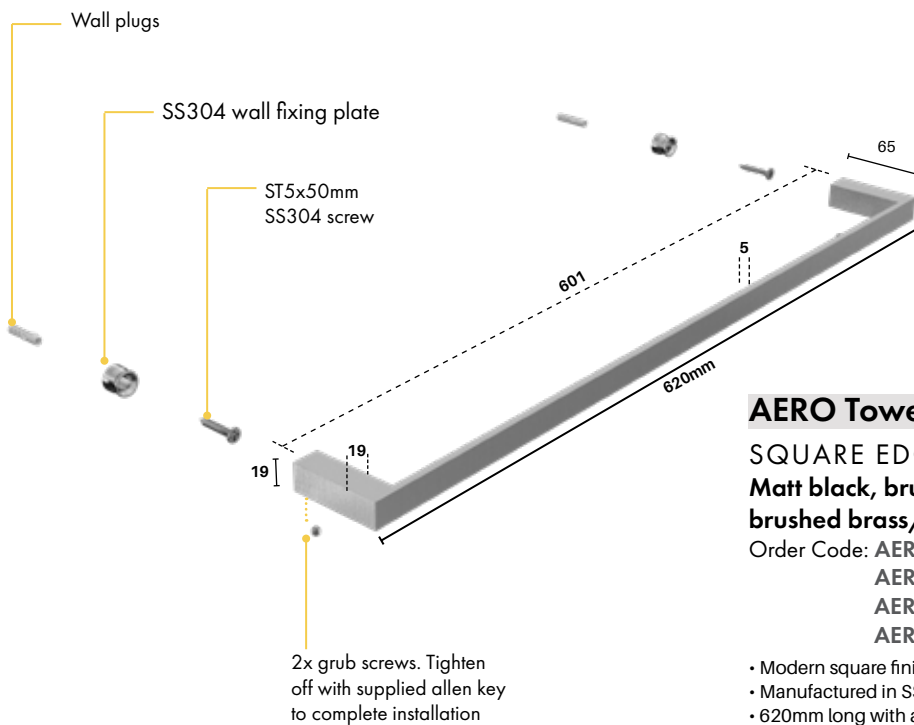
AERO-TR-0900-S (Brushed Satin)

AERO-TR-0900-P (Polish)

AERO-TR-0900-G (ORO Brushed Brass/Gold)

- Modern square finish edges
- Manufactured in SS304
- 920mm long with a slimline profile
- Includes fixing screws, wall plug & allen key
- Fixings are hidden
- Ideal for a large bath towel

TOWEL RAIL / 600



AVAILABLE FINISHES



AERO Towel Rail 600

SQUARE EDGE

Matt black, brushed satin, polish & brushed brass/gold finish

Order Code: **AERO-TR-0600-B (Matt Black)**

AERO-TR-0600-S (Brushed Satin)

AERO-TR-0600-P (Polish)

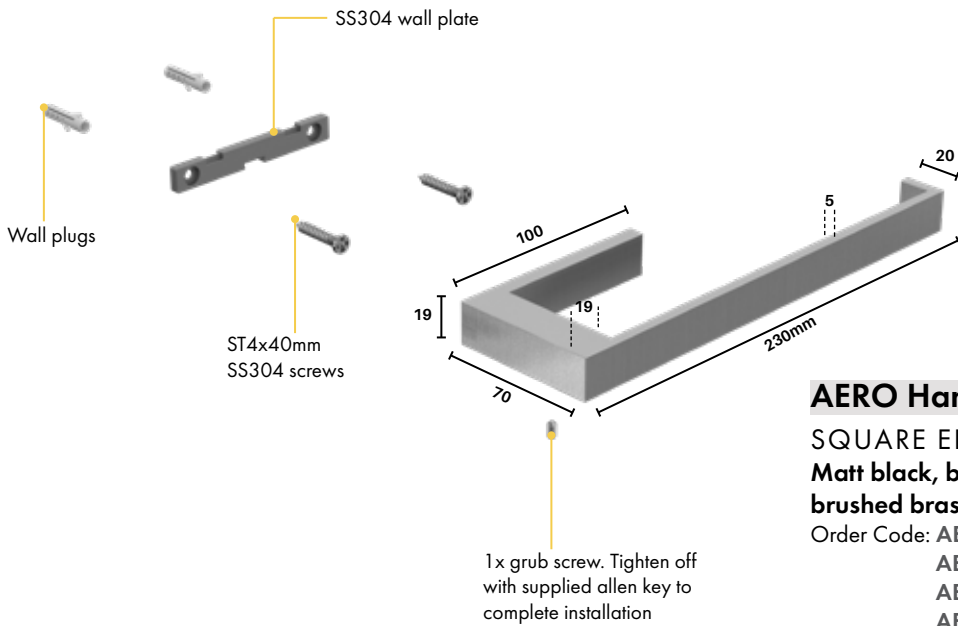
AERO-TR-0600-G (ORO Brushed Brass/Gold)

- Modern square finish edges
- Manufactured in SS304
- 620mm long with a slimline profile
- Includes fixing screws, wall plug & allen key
- Fixings are hidden
- Ideal for a bath towel or bath mat



AERO RANGE

HAND TOWEL RAIL



AVAILABLE FINISHES



AERO Hand Towel Rail

SQUARE EDGE

Matt black, brushed satin, polish & brushed brass/gold finish

Order Code: **AERO-HANDT-B (Matt Black)**

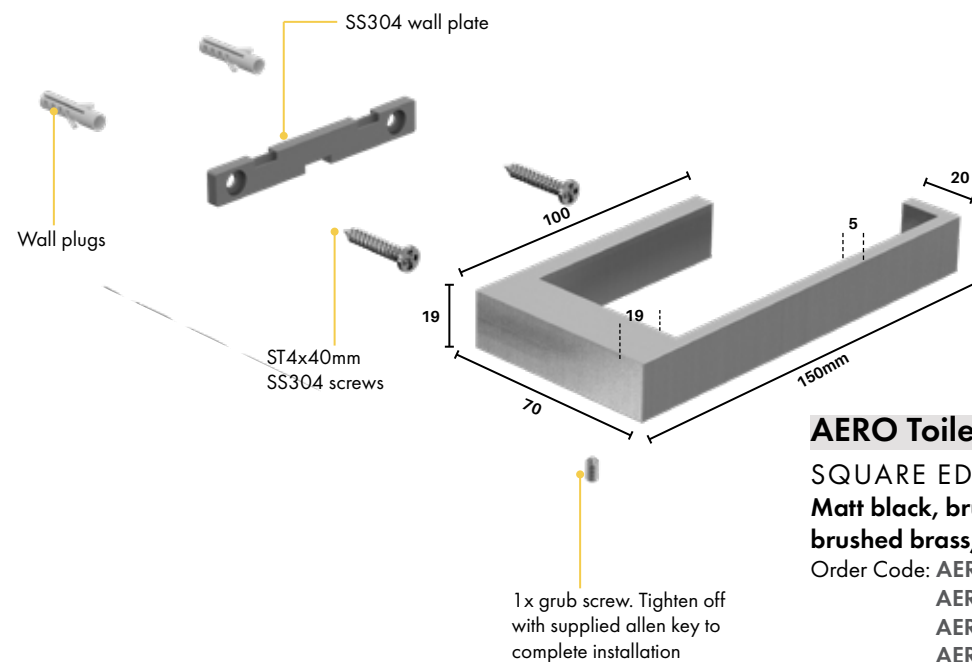
AERO-HANDT-S (Brushed Satin)

AERO-HANDT-P (Polish)

AERO-HANDT-G (ORO Brushed Brass/Gold)

- Modern square finish edges
- Manufactured in SS304
- 230mm long with a slimline profile
- Includes fixing screws, wall plug & allen key
- Fixings are hidden
- Ideal for a hand towel

TOILET ROLL HOLDER



AVAILABLE FINISHES



AERO Toilet Roll Holder

SQUARE EDGE

Matt black, brushed satin, polish & brushed brass/gold finish

Order Code: **AERO-ROLL-B (Matt Black)**

AERO-ROLL-S (Brushed Satin)

AERO-ROLL-P (Polish)

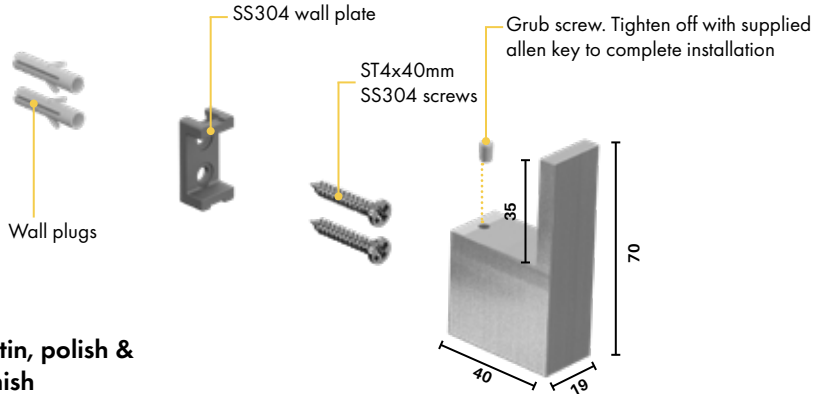
AERO-ROLL-G (ORO Brushed Brass/Gold)

- Modern square finish edges
- Manufactured in SS304
- 150mm long with a slimline profile
- Includes fixing screws, wall plug & allen key
- Fixings are hidden



AERO RANGE

HOOK



AERO Hook

SQUARE EDGE

Matt black, brushed satin, polish & brushed brass/gold finish

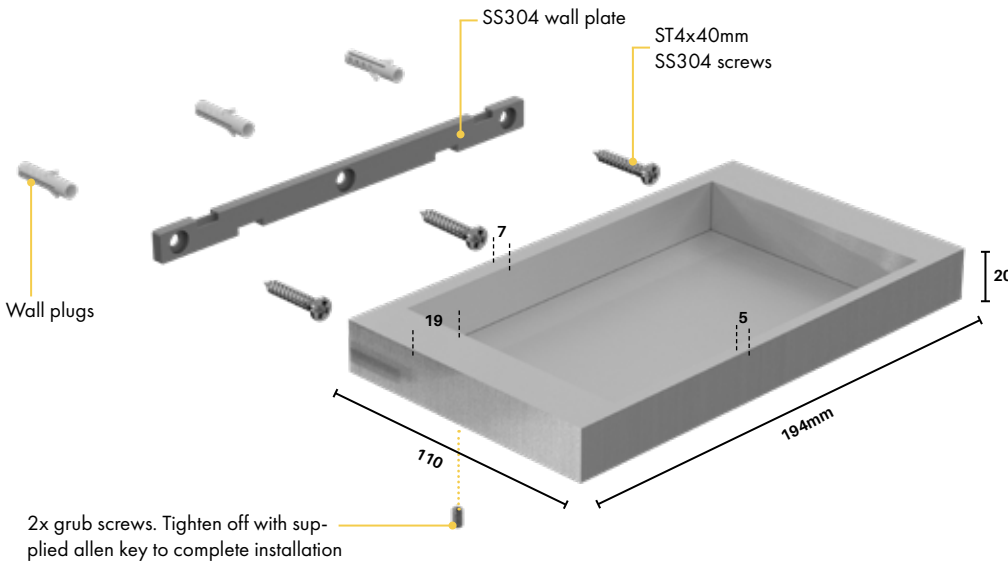
- Order Code: **AERO-HOOK-B (Matt Black)**
AERO-HOOK-S (Brushed Satin)
AERO-HOOK-P (Polish)
AERO-HOOK-G (ORO Brushed Brass/Gold)

- Modern square finish edges
- Manufactured in SS304
- Ideal for hanging towels, robes, clothes
- Includes fixing screws, wall plug & allen key
- Fixings are hidden

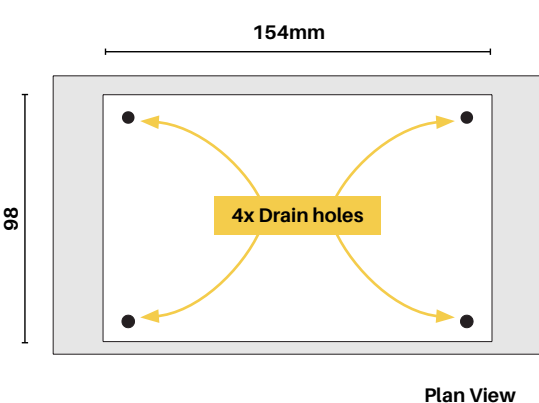
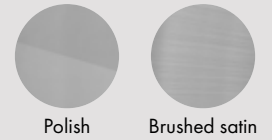
AVAILABLE FINISHES



SHELF · DISH



AVAILABLE FINISHES



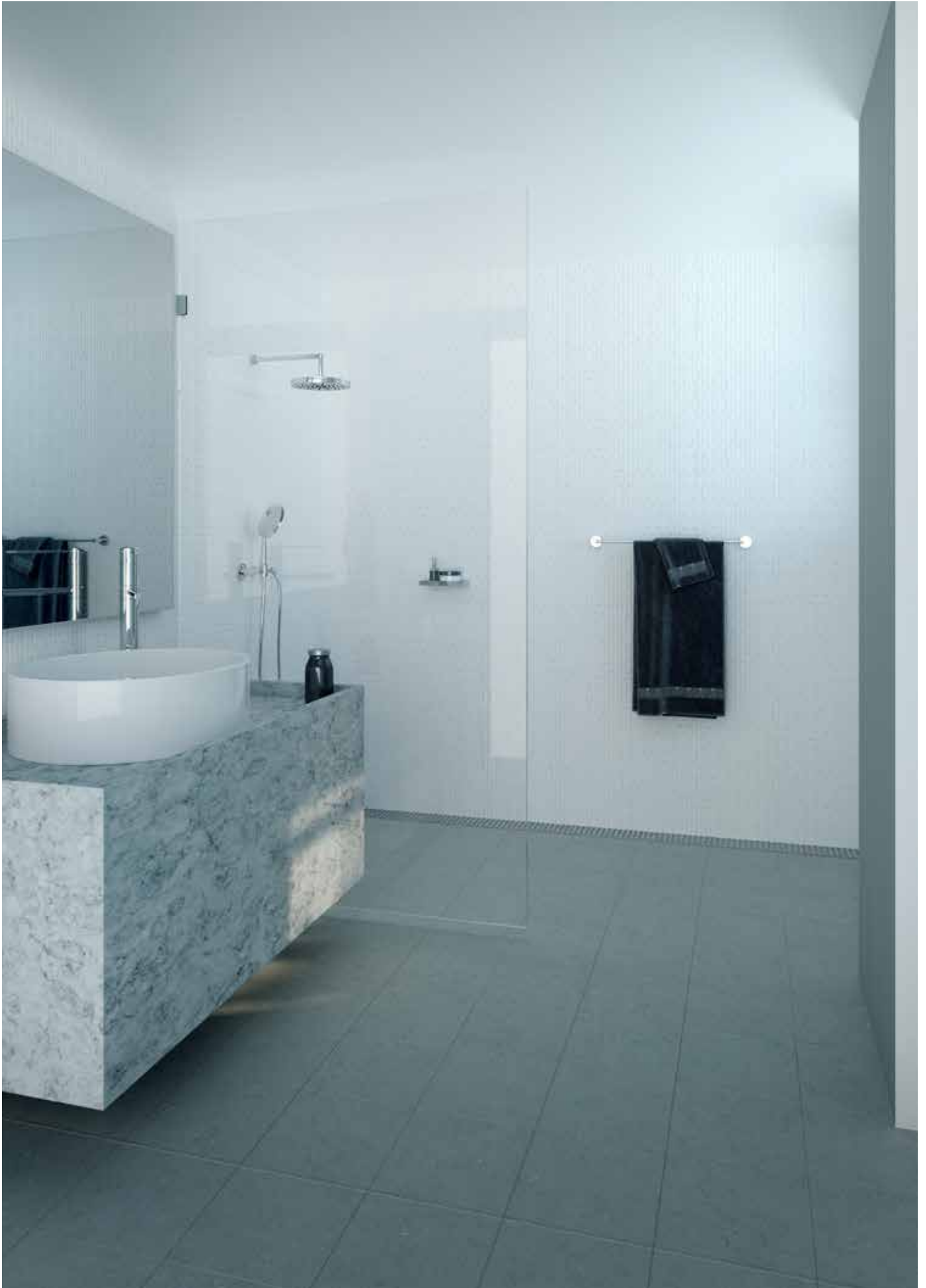
AERO Shelf Dish

SQUARE EDGE

Brushed satin or polish finish

- Order Code: **AERO-SHELF-S (Brushed Satin)**
AERO-SHELF-P (Polish)

- Modern square finish edges
- Manufactured in SS304
- Includes fixing screws, wall plug & allen key
- 4x discreet drain holes in tray





CURVE

CURVE is a revitalised and fresh approach with a nod to all things organic. Slimline round profiles provide a minimalist finish with the added feature of hidden fixings. Made from durable stainless steel 304. Available in polish, brushed satin and matt black finishes.



Towel rail / 900mm



Towel rail / 600mm



Hand towel rail



Toilet roll holder

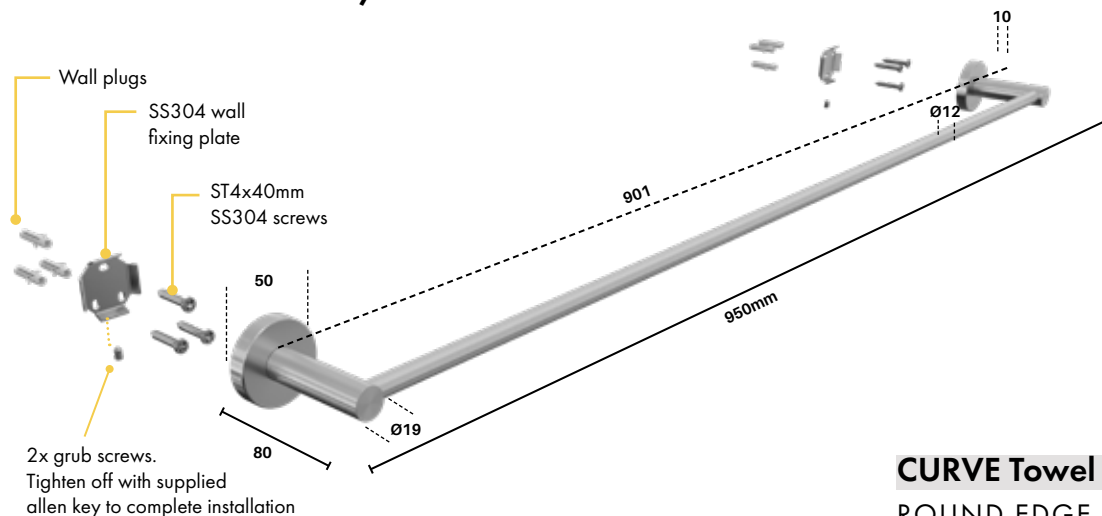


Towel hook



CURVE RANGE

TOWEL RAIL / 900



AVAILABLE FINISHES



CURVE Towel Rail 900

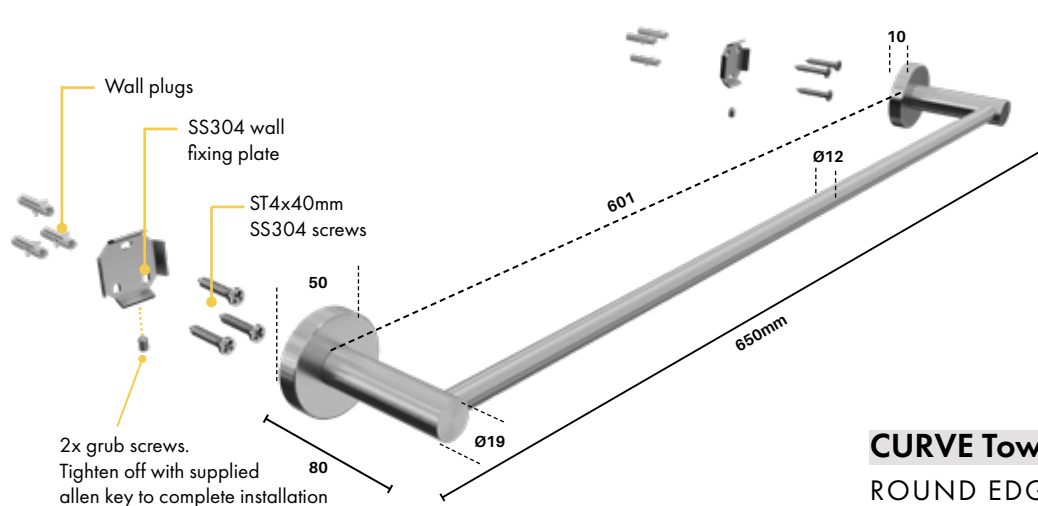
ROUND EDGE

Matt black, brushed satin or polish finish

Order Code: **CURVE-TR-0900-B** (Matt Black)
CURVE-TR-0900-S (Brushed Satin)
CURVE-TR-0900-P (Polish)

- Contemporary round finish edges
- Manufactured in SS304
- Includes fixing screws, wall plug & allen key
- Fixings are hidden
- Ideal for large bath towel

TOWEL RAIL / 600



AVAILABLE FINISHES



CURVE Towel Rail 600

ROUND EDGE

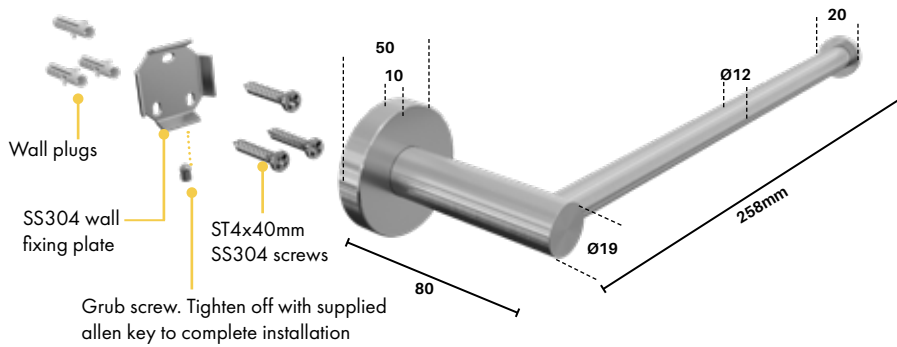
Matt black, brushed satin or polish finish

Order Code: **CURVE-TR-0600-B** (Matt Black)
CURVE-TR-0600-S (Brushed Satin)
CURVE-TR-0600-P (Polish)

- Contemporary round finish edges
- Manufactured in SS304
- Includes fixing screws, wall plug & allen key
- Fixings are hidden
- Ideal for bath towel or bath mat

CURVE RANGE

HAND TOWEL RAIL



AVAILABLE FINISHES



CURVE Hand Towel Rail

ROUND EDGE

Matt black, brushed satin or polish finish

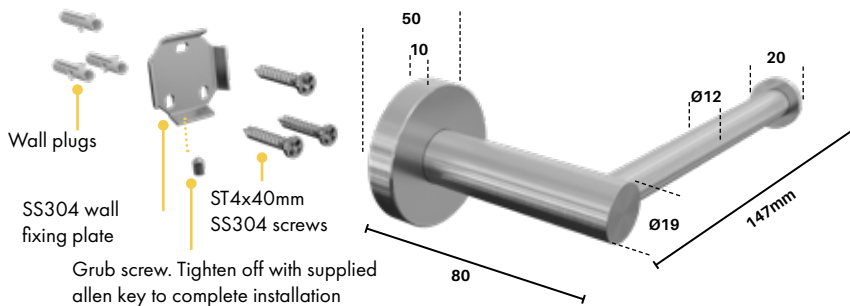
Order Code: **CURVE-HANDT-B (Matt Black)**

CURVE-HANDT-S (Brushed Satin)

CURVE-HANDT-P (Polish)

- Contemporary round finish edges
- Manufactured in SS304
- Includes fixing screws, wall plug & allen key
- Fixings are hidden
- Ideal for a hand towel

TOILET ROLL HOLDER



AVAILABLE FINISHES



CURVE Toilet Roll Holder

ROUND EDGE

Matt black, brushed satin or polish finish

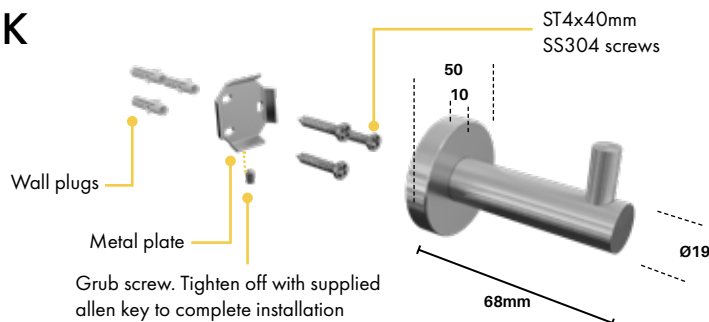
Order Code: **CURVE-ROLL-B (Matt Black)**

CURVE-ROLL-S (Brushed Satin)

CURVE-ROLL-P (Polish)

- Contemporary round finish edges
- Manufactured in SS304
- Includes fixing screws, wall plug & allen key
- Fixings are hidden

HOOK



AVAILABLE FINISHES



CURVE Hook

ROUND EDGE

Matt black, brushed satin or polish finish

Order Code: **CURVE-HOOK-B (Matt Black)**

CURVE-HOOK-S (Brushed Satin)

CURVE-HOOK-P (Polish)

- Contemporary round finish edges
- Manufactured in SS304
- Includes fixing screws, wall plug & allen key
- Fixings are hidden
- Ideal for hanging towels, robes and clothing



PILLAR

Truly unique and distinctive in design, the Pillar range stands out from the crowd for stylish bathroom accessories. Utilising innovative manufacturing processes, the slimline 16mm bar appears to gently rest against supports providing a unique aesthetic. The Pillar range, made from durable stainless steel 304, lifts the bar in functional design of bathroom accessories.



Towel rail / 900mm



Towel rail / 600mm



Towel rail / 300mm



Hand towel rail



Toilet roll holder



Towel hook



Glass shelf

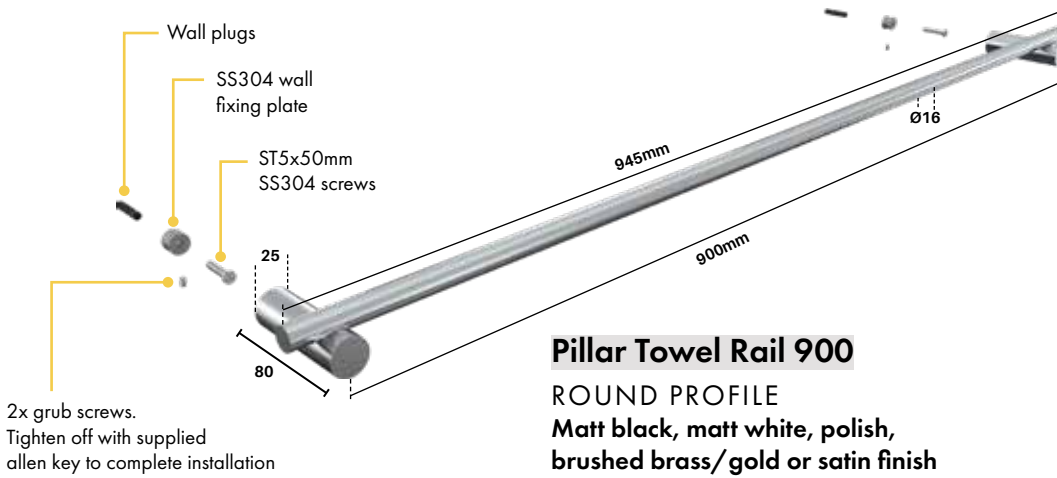


Stainless steel shelf



PILLAR RANGE

TOWEL RAIL / 900



Pillar Towel Rail 900

ROUND PROFILE

**Matt black, matt white, polish,
brushed brass/gold or satin finish**

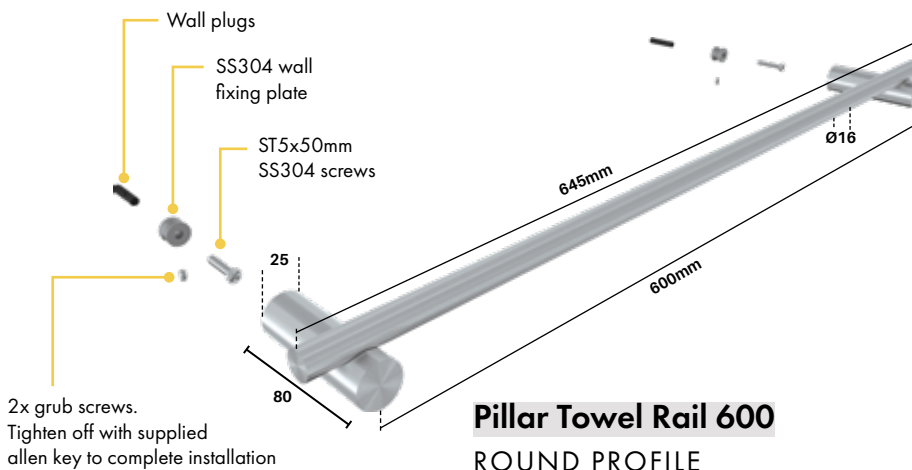
Order Code: **PIL-TR-0900-B (Matt Black)**
PIL-TR-0900-W (Matt White)
PIL-TR-0900-P (Polish)
PIL-TR-0900-G (ORO Brushed Brass/Gold)
PIL-TR-0900-S (Satin)

- Distinctive design feature - horizontal bar appears to be 'resting' on top of supports
- Slimline round 16mm diameter bar
- Manufactured in SS304
- Includes fixing screws, wall plug & allen key
- Fixings are hidden. Easy to install
- Install instructions included with each box. Colour printed box with barcode
- Suits hanging 2 folded bath towels

AVAILABLE FINISHES



TOWEL RAIL / 600



Pillar Towel Rail 600

ROUND PROFILE

**Matt black, matt white, polish,
brushed brass/gold or satin finish**

Order Code: **PIL-TR-0600-B (Matt Black)**
PIL-TR-0600-W (Matt White)
PIL-TR-0600-P (Polish)
PIL-TR-0600-G (ORO Brushed Brass/Gold)
PIL-TR-0600-S (Satin)

- Distinctive design feature - horizontal bar appears to be 'resting' on top of supports
- Slimline round 16mm diameter bar
- Manufactured in SS304
- Includes fixing screws, wall plug & allen key
- Fixings are hidden. Easy to install
- Install instructions included with each box. Colour printed box with barcode
- Suits hanging large bath towel or bath mat

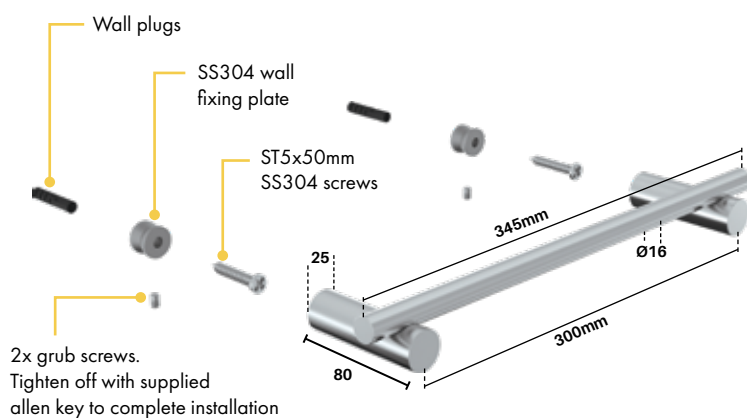
AVAILABLE FINISHES





PILLAR RANGE

TOWEL RAIL / 300



AVAILABLE FINISHES



Pillar Towel Rail 300

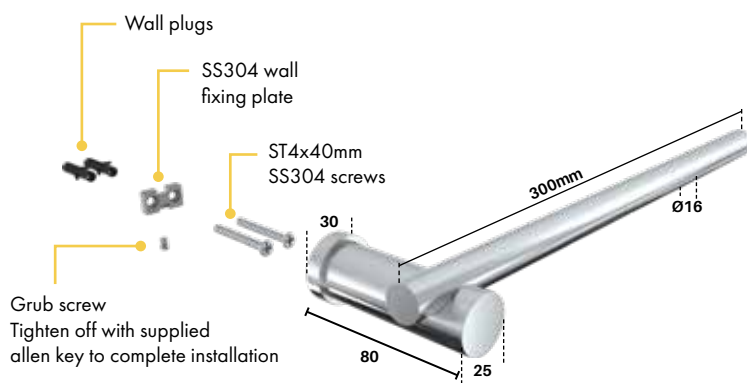
ROUND PROFILE

**Matt black, matt white, polish,
brushed brass/gold or satin finish**

Order Code: **PIL-TR-0300-B (Matt Black)**
PIL-TR-0300-W (Matt White)
PIL-TR-0300-P (Polish)
PIL-TR-0300-G (ORO Brushed Brass/Gold)
PIL-TR-0300-S (Satin)

- Distinctive design feature - horizontal bar appears to be 'resting' on top of supports
- Slimline round 16mm diameter bar
- Manufactured in SS304
- Includes fixing screws, wall plug & allen key
- Fixings are hidden. Easy to install
- Install instructions included with each box. Colour printed box with barcode
- Suits hanging bath towel or hand towel

HAND TOWEL RAIL



AVAILABLE FINISHES



Pillar Hand Towel Rail

ROUND PROFILE

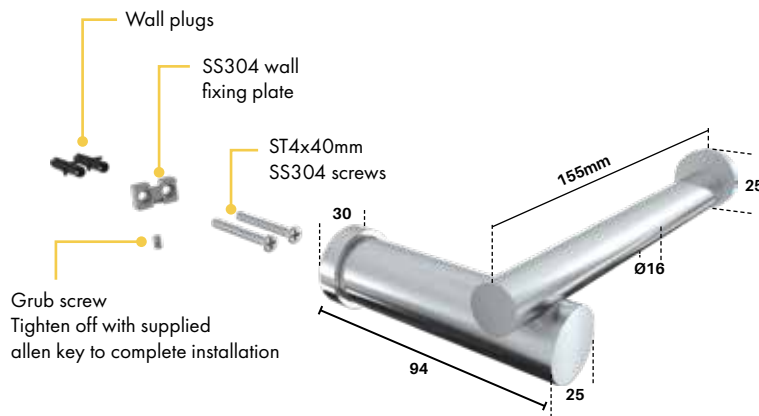
**Matt black, matt white, polish,
brushed brass/gold or satin finish**

Order Code: **PIL-HANDT-B (Matt Black)**
PIL-HANDT-W (Matt White)
PIL-HANDT-P (Polish)
PIL-HANDT-G (ORO Brushed Brass/Gold)
PIL-HANDT-S (Satin)

- Distinctive design feature - horizontal bar appears to be 'resting' on top of support
- Slimline round 16mm diameter bar
- Manufactured in SS304
- Includes fixing screws, wall plug & allen key
- Fixings are hidden. Easy to install
- 2 x fixings into wall to prevent chance of towel rail rotating
- Install instructions included with each box. Colour printed box with barcode
- Suits hanging of hand towel

PILLAR RANGE

TOILET ROLL HOLDER



AVAILABLE FINISHES



Pillar Toilet Roll Holder

ROUND PROFILE

Matt black, matt white, polish, brushed brass/gold or satin finish

Order Code: **PIL-ROLL-B (Matt Black)**

PIL-ROLL-W (Matt White)

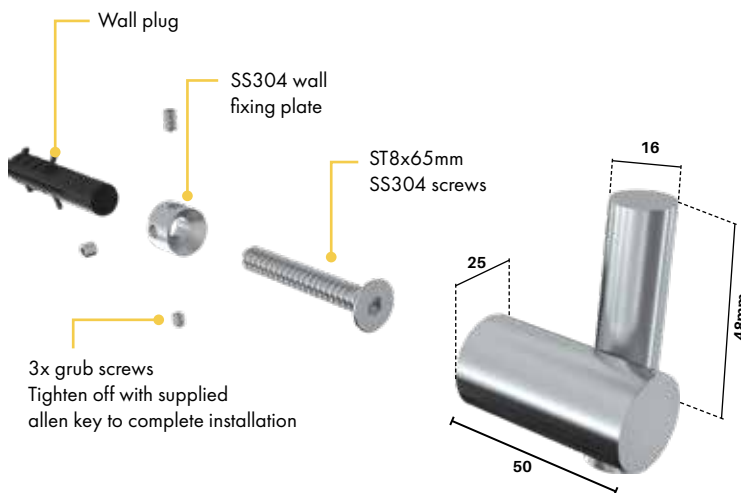
PIL-ROLL-P (Polish)

PIL-ROLL-G (ORO Brushed Brass/Gold)

PIL-ROLL-S (Satin)

- Distinctive design feature - horizontal bar appears to be 'resting' on top of support
- Slimline round 16mm diameter bar
- Manufactured in SS304
- Includes fixing screws, wall plug & allen key
- Fixings are hidden. Easy to install
- 2 x fixings into wall to prevent chance of rotating
- Install instructions included with each box. Colour printed box with barcode
- Stylish solution for toilet roll holder

HOOK



AVAILABLE FINISHES



Pillar Towel Hook

ROUND PROFILE

Matt black, matt white, polish, brushed brass/gold or satin finish

Order Code: **PIL-HOOK-B (Matt Black)**

PIL-HOOK-W (Matt White)

PIL-HOOK-P (Polish)

PIL-HOOK-G (ORO Brushed Brass/Gold)

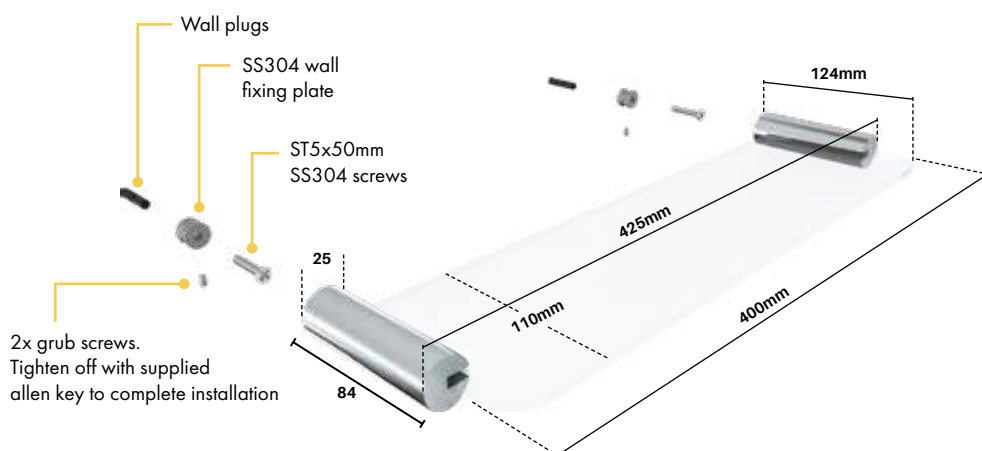
PIL-HOOK-S (Satin)

- Distinctive design feature - vertical hook appears to be 'resting' against side of horizontal stem
- Hook is slimline round 16mm diameter bar
- Manufactured in SS304
- Includes fixing screws, wall plug & allen key
- Fixings are hidden. Easy to install
- Install instructions included with each box. Colour printed box with barcode
- A simple solution for hanging of towels, bath robes or similar



PILLAR RANGE

GLASS SHELF



AVAILABLE FINISHES



Pillar Glass Shelf

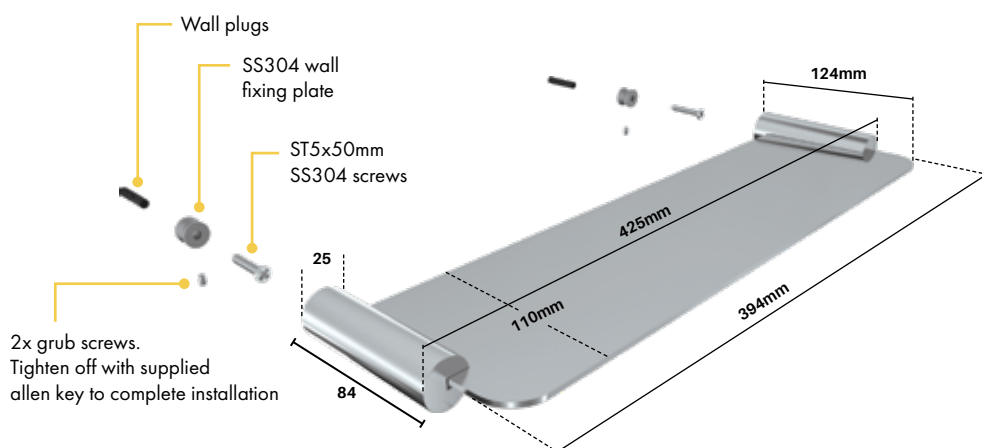
ROUND PROFILE / GLASS SHELF

Matt black, matt white, polish or brushed brass/gold finish

Order Code: **PIL-SHELF-GLASS-B (Matt Black)**
PIL-SHELF-GLASS-W (Matt White)
PIL-SHELF-GLASS-P (Polish)
PIL-SHELF-GLASS-G (ORO Brushed Brass/Gold)

- Stylish glass shelf - low iron 6mm clear toughened glass
- Side supports are SS304
- Includes fixing screws, wall plug & allen key
- Fixings are hidden. Easy to install
- Install instructions included with each box. Colour printed box with barcode

SS SHELF



AVAILABLE FINISHES



Pillar Stainless Steel Shelf

ROUND PROFILE / SS304 SHELF

Matt black, matt white, polish or brushed brass/gold finish

Order Code: **PIL-SHELF-SS-B (Matt Black)**
PIL-SHELF-SS-W (Matt White)
PIL-SHELF-SS-P (Polish)
PIL-SHELF-SS-G (ORO Brushed Brass/Gold)

- Stylish stainless steel SS304 shelf with supports
- Sturdy shelf to suit a variety of bathroom storage applications
- Not recommended for in-shower installation due to potential issues caused by long term exposure of soaps, shampoos on shelf finished surface
- Includes fixing screws, wall plug & allen key
- Fixings are hidden. Easy to install
- Install instructions included with each box. Colour printed box with barcode



PILLAR





SHOWER HINGES OVERVIEW

| | PURITY BIANCO CHROME | ZURICH CHROME | ZURICH PEARL SATIN CHROME |
|---|-------------------------|------------------|------------------------------|
| <p>GLASS TO GLASS HINGE</p> <ul style="list-style-type: none"> • SUITS 8 & 10MM THICK GLASS • "D" STYLE CUT OUT | | | |
| <p>GLASS TO GLASS HINGE HEAVY DUTY</p> <ul style="list-style-type: none"> • SUITS 8 & 10MM THICK GLASS • "D" STYLE OR MICKEY MOUSE CUT OUT • FOR LARGER/HEAVIER DOORS | | N/A | N/A |
| <p>GLASS TO WALL HINGE HEAVY DUTY</p> <ul style="list-style-type: none"> • SUITS 8 & 10MM THICK GLASS • "D" STYLE OR MICKEY MOUSE CUT OUT • FOR LARGER/HEAVIER DOORS | | N/A | N/A |
| <p>GLASS TO WALL HINGE</p> <ul style="list-style-type: none"> • SUITS 8 & 10MM THICK GLASS • "D" STYLE CUT OUT | | | |
| <p>GLASS TO OFFSET WALL HINGE</p> <ul style="list-style-type: none"> • SUITS 8 & 10MM THICK GLASS • "D" STYLE CUT OUT | | | |
| <p>GLASS TO 90° HINGE</p> <ul style="list-style-type: none"> • SUITS 8 & 10MM THICK GLASS • "D" STYLE CUT OUT | N/A | | |
| <p>GLASS TO 135° HINGE</p> <ul style="list-style-type: none"> • SUITS 8 & 10MM THICK GLASS • "D" STYLE CUT OUT • IDEAL FOR DIAMOND SHAPE INSTALLATIONS | | | |
| <p>3 WAY GLASS TO GLASS HINGE</p> <ul style="list-style-type: none"> • SUITS 8 & 10MM THICK GLASS • "D" STYLE CUT OUT • HINGING OF 2 X DOORS FROM 1 X HINGE PANEL | | N/A | N/A |
| <p>GLASS TO GLASS HINGE</p> <p>SUITS 6 & 8MM GLASS ONLY</p> <ul style="list-style-type: none"> • "D" STYLE CUT OUT | N/A | | N/A |
| <p>GLASS TO WALL HINGE</p> <p>SUITS 6 & 8MM GLASS ONLY</p> <ul style="list-style-type: none"> • "D" STYLE CUT OUT | N/A | | N/A |



| PURITY NERO MATT BLACK | PURITY GIO GUNMETAL | PURITY ORO BRUSHED GOLD | PURITY SNO MATT WHITE | PURITY NiKL BRUSHED NICKEL |
|---------------------------|------------------------|----------------------------|--------------------------|-------------------------------|
| | | | | |
| | N/A | N/A | N/A | N/A |
| | N/A | N/A | N/A | N/A |
| | | | | |
| | | | | |
| | N/A | N/A | N/A | N/A |
| | | | N/A | |
| | N/A | N/A | N/A | N/A |
| N/A | N/A | N/A | N/A | N/A |
| N/A | N/A | N/A | N/A | N/A |



WALL BRACKET & KNOB HARDWARE OVERVIEW

| | PURITY BIANCO CHROME | ZURICH CHROME | ZURICH PEARL SATIN CHROME |
|--|---|--|---|
| <p>WALL BRACKET</p> <ul style="list-style-type: none"> • 2 X COMPRESSION SCREWS • NO HOLES REQUIRED IN GLASS PANEL |  | N/A |  |
| <p>OFFSET WALL BRACKET</p> <ul style="list-style-type: none"> • 2 X COMPRESSION SCREWS • NO HOLES REQUIRED IN GLASS PANEL |  | N/A |  |
| <p>ROUND WALL BRACKET</p> <ul style="list-style-type: none"> • 1 X COMPRESSION SCREW • NO HOLES REQUIRED IN GLASS PANEL |  | N/A | N/A |
| <p>WALL BRACKET</p> <p>SUITS 6MM GLASS ONLY</p> <ul style="list-style-type: none"> • 1 X COMPRESSION SCREW • NO HOLES REQUIRED IN GLASS PANEL |  | N/A | N/A |
| ROUND CIRCULAR KNOB |  |  |  |
| FULL ROUND KNOB |  |  |  |
| ROUND RECESSED KNOB |  | N/A | N/A |
| SQUARE RECESSED KNOB |  | N/A | N/A |
| SQUARE L SHAPE KNOB |  | N/A | N/A |
| SQUARE FULL KNOB | N/A |  |  |

FOR MECHANICAL FIX BRACKETS - SEE PAGE 32-33



| PURITY NERO MATT BLACK | PURITY GIO GUNMETAL | PURITY ORO BRUSHED GOLD | PURITY SNO MATT WHITE | PURITY NiKL BRUSHED NICKEL |
|---------------------------|------------------------|----------------------------|--------------------------|-------------------------------|
| | | | | |
| | | | | |
| | N/A | N/A | N/A | N/A |
| N/A | N/A | N/A | N/A | N/A |
| | | | | |
| | N/A | N/A | N/A | N/A |
| | N/A | N/A | N/A | N/A |
| | N/A | N/A | N/A | N/A |
| | N/A | N/A | N/A | N/A |
| | N/A | N/A | N/A | N/A |
| N/A | N/A | N/A | N/A | N/A |



BRACKET & HANDLE HARDWARE OVERVIEW

| | PURITY BIANCO CHROME | ZURICH CHROME | ZURICH PEARL SATIN CHROME | |
|-----------------------------|--|--|---|--|
| SQUARE D HANDLE |  180MM LONG |   180MM LONG 250MM LONG |   180MM LONG 250MM LONG | |
| D ROUND HANDLE WITH KNOB |  | N/A | N/A | |
| 450MM ROUND D HANDLE |  | N/A | N/A | |
| GLASS BRACE BRACKET - SMALL |  | N/A |  | |
| GLASS BRACE BRACKET - LARGE |  | N/A |  | |



| PURITY NERO MATT BLACK | PURITY GIO GUNMETAL | PURITY ORO BRUSHED GOLD | PURITY SNO MATT WHITE | PURITY NiKL BRUSHED NICKEL |
|--|---|---|---|---|
|  180MM LONG | N/A | N/A | N/A | N/A |
| N/A | N/A | N/A | N/A | N/A |
| N/A | N/A | N/A | N/A | N/A |
|  |  |  |  |  |
|  |  |  |  |  |



BRACKET & HANDLE HARDWARE OVERVIEW

| | PURITY BIANCO CHROME | ZURICH CHROME | ZURICH PEARL SATIN CHROME |
|----------------------------------|---|------------------|---|
| ADJUSTABLE ARM BRACKET |  | N/A |  |
| ROUND HORIZONTAL SUPPORT ARM |  | N/A |  |
| SQUARE HORIZONTAL SUPPORT ARM |  | N/A | N/A |
| VERTICAL STABILISER ARM |  | N/A | N/A |
| PURITY MULTIARM BRACE SYSTEM |  | N/A | N/A |
| WATER BAR - 6MM HIGH |  | N/A |  |
| WATER BAR - 9MM HIGH |  | N/A |  |



| PURITY NERO MATT BLACK | PURITY GIO GUNMETAL | PURITY ORO BRUSHED GOLD | PURITY SNO MATT WHITE | PURITY NiKL BRUSHED NICKEL |
|---------------------------|------------------------|----------------------------|--------------------------|-------------------------------|
| | | | | |
| | | | | |
| | N/A | N/A | N/A | N/A |
| N/A | N/A | N/A | N/A | N/A |
| | N/A | N/A | N/A | N/A |

| | | | | |
|--|---------------------------------------|--|--|--|
| | N/A USE BLACK OR NIKL WATER BAR | | | |
| | N/A USE BLACK OR NIKL WATER BAR | | | |



Errors and omissions excepted. Measurements and drawings are provided as a guide only and should not be relied upon solely for installation purposes.

Product codes, products and prices may change at GO's discretion as systems are constantly reviewed and updated. Please contact GO if you require clarification of product codes, pricing or product stocking.

Due to each installation situation being different, it is the installer's responsibility to seek engineering compliance and/or certification should it be required as part of a project, regulatory or statutory requirement.

Colours are indicative and should be used as a guide only. All products should adhere to a suitable care and maintenance schedule.

Copyright 2022. This catalogue is the copyright of GO and cannot be reproduced, copied or replicated without the prior written consent of GO. Such consent applies to images as well as text.