



SLIDING RAILS systems

Our range of sliding rail systems
NORSK, KLØS & STÄL





norsk

SLIDING GLASS DOOR HARDWARE

Sliding rail system with stylish exposed door rollers including an anti-lift safety feature. Available in stainless steel 304 with a satin or matt black finish. With railing installation to walls or to glass panels achievable, the sophisticated look is popular in office environments as well as domestic applications.

Glass can be custom made to size and finish. Refer pages 4 - 15



Klos

SLIDING RAIL SYSTEM

A slimline sliding rail system for homes or offices. The 2600mm aluminium hanging rail is predrilled for easy face or vertical mounting. Stylish cover/pelmet is satin anodised. The rail and pelmet can be cut for easy width adjustment. The hidden door carriers hold glass and run smoothly inside the rail. A soft close mechanism is available as an optional extra. The mechanism is easy to install and simply slides into the hanging rail.

Glass can be custom made to size and finish. Refer pages 16 - 25



STÅL

SLIDING SHOWER SCREEN RAIL SYSTEM

The STÅL system is ideal for wide openings and can be used in both inline and 90° applications.

Achieve any installation size between 1200mm wide to 1940mm wide with our stocked modular panels or custom made glass. Hardware available in high polish or matt black finish.

Commonly used for shower screen applications.

Refer pages 26 - 42



norsk

SLIDING GLASS DOOR HARDWARE

- › Complete kits available for wall mounted installations
- › Optional extras sold separately for glass panel mounted installations
- › Anti-lift technology for extra safety
- › Stainless steel construction - ideal for interior installations
- › Suits 10mm or 12mm glass
- › Available in satin or matt black finish
- › 2900mm lengths of round rail - easily width adjustable



NORSK HARDWARE GUIDE

Complete kits provide a simple purchasing solution. The round rail is purchased separately. The kit provides a solution for wall mount installation of a glass panel. If mounting from glass panels, simply purchase optional extra glass mounting rail clamps.



Norsk kit

SATIN FINISH / SS304
Order Code: NOR-KIT (Satin)

System parameters - Applicable to satin & black kits

10mm or 12mm toughened glass only

Minimum door width: 960mm

Maximum door width: 1360mm

Maximum Door Height: 2500mm

Maximum weight: 100kg

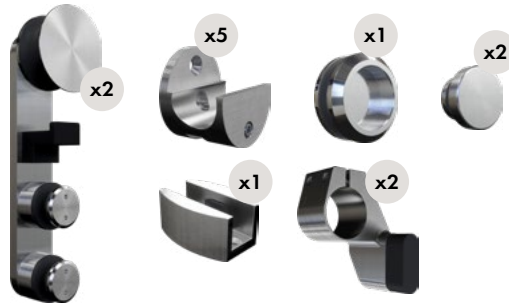


KIT INCLUDES

2x Anti-lift sliding door rollers
5x Wall mount rail clamps
2x Door stoppers (Left & right)

1x Recessed Round Handle
1x Floor Guide

2x End caps

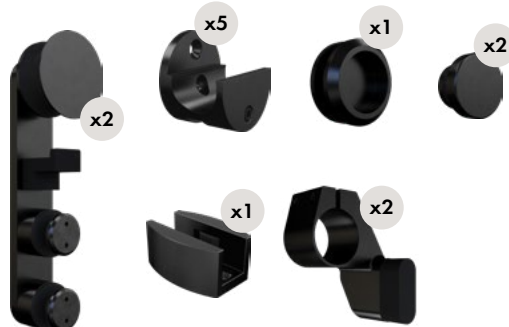


KIT INCLUDES

2x Anti-lift sliding door rollers
5x Wall mount rail clamps
2x Door stoppers (Left & right)

1x Recessed Round Handle
1x Floor Guide

2x End caps



Norsk kit

MATT BLACK FINISH / SS304
Order Code: NOR-KIT-B (Matt Black)



NORSK HARDWARE GUIDE

COMPLETE RANGE OF EXTRAS ALSO AVAILABLE



2900mm long, Ø25mm railing

SS304 - 2.7mm Wall thickness

Satin or matt black finish

Order Code: **NOR-RAIL-2900-S (Satin)**

NOR-RAIL-2900-B (Matt black)

- 2.7mm wall thickness provides rigidity
- Rail 2900mm long - easily cut to required width
- For rail terminating, 2 x end caps included in kit or rail may terminate to a wall bracket (sold separately)



Tightening tool

SS304

Order Code: **NOR-TOOL**

- Suits tightening Norsk door rollers to glass panel



Floor guide

SS304

Satin or matt black finish

Order Code: **NOR-FG-S (Satin)**

NOR-FG-B (Matt black)

- Affix to floor to guide glass door
- 1 x floor guide included in each kit. Extras can be purchased if required



Wall mount guide

SS304

Satin or matt black finish

Order Code: **NOR-RCW-S (Satin)**

NOR-RCW-B (Matt black)

- Affix to wall for rail support
- 5 x wall mount guides included in each kit. Extras can be purchased if required



Glass mount rail clamp

SS304

Satin or matt black finish

Order Code: **NOR-RCG-S (Satin)**

NOR-RCG-B (Matt black)

- Use when rail is supported by glass panels
- 18mm diameter hole required in supporting glass panel



Rail wall bracket

SS304

Satin or matt black finish

Order Code: **NOR-RWB-S (Satin)**

NOR-RWB-B (Matt black)

- Use when rail terminates at wall
- Affix to wall with fixings hidden internally in bracket
- Easy to install



Door bump stop

SS304

Satin finish

Order Code: **P-BUMP-S (Satin)**

- Versatile door stopper - install onto floor (vertically) or into wall (horizontally)
- 2 Part design enables easy installation plus hidden fixing
- Single sturdy ST8x65mm SS304 screw
- Side rubber position can be changed to align with glass



2mm or 5mm thick

Norsk packers

2mm or 5mm thickness

5 Pack

Order Code: **NOR-PACKER-2MM**

NOR-PACKER-5MM

- Use when wall mount rail clamps need to be packed out from surface - i.e. Pack out past an architrave
- Packers are stackable



Ultraloc threadlocker

3242 compound

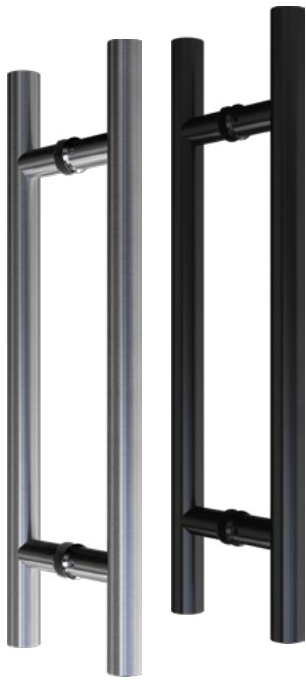
10ml bottle

Order Code: **ULTRALOC-3242**

- Medium strength removable grade threadlocking compound



NORSK HARDWARE GUIDE



450mm Double pull handle

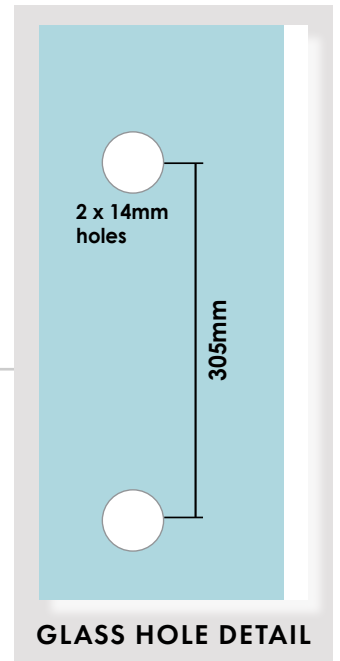
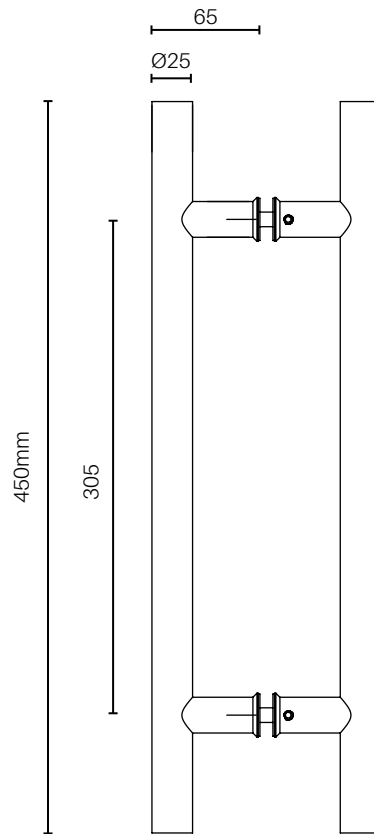
SS304

Satin or matt black finish

Order Code: **NOR-HANDLE-DBL-S** (Satin)

NOR-HANDLE-DBL-B (Matt black)

- Double sided handle
- 305mm hole centres
- 2 x 14mm diameter holes required in glass



450mm Single pull handle

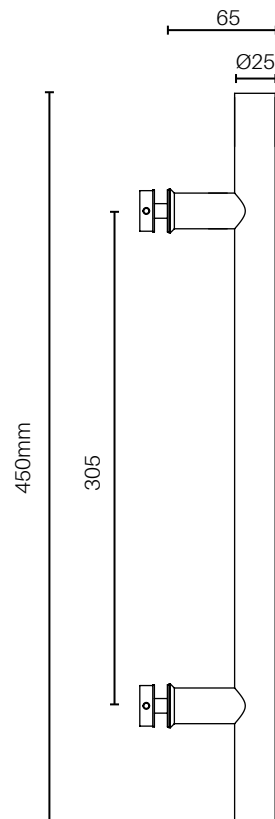
SS304

Satin or matt black finish

Order Code: **NOR-HANDLE-SGL-S** (Satin)

NOR-HANDLE-SGL-B (Matt black)

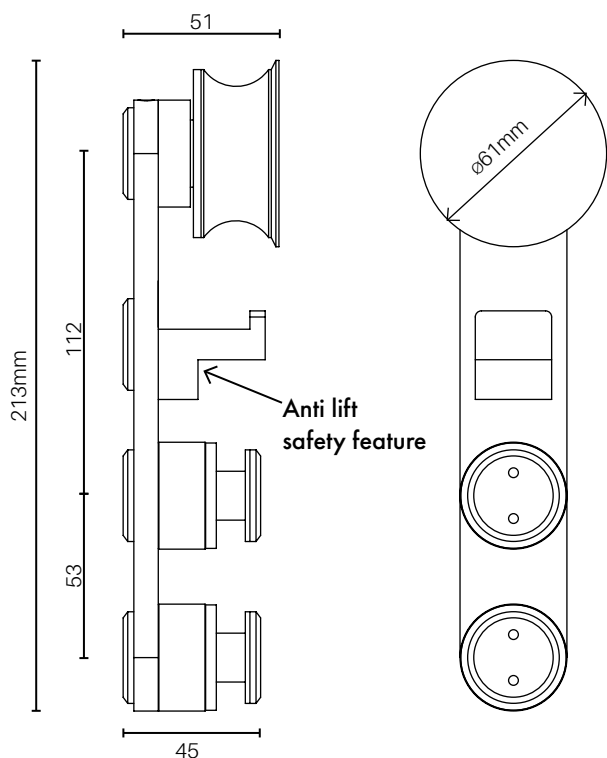
- Single sided handle
- 305mm hole centres
- 2 x 14mm diameter holes required in glass



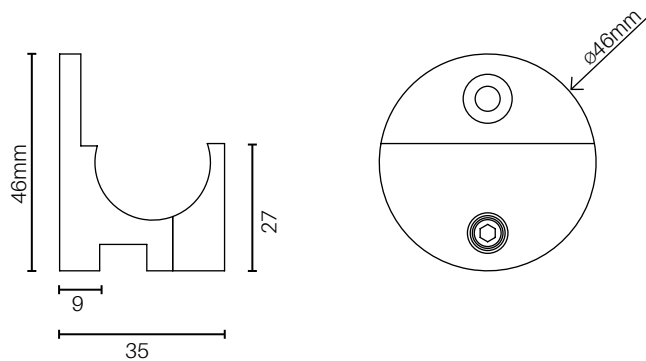


NORSK HARDWARE SPECIFICATION

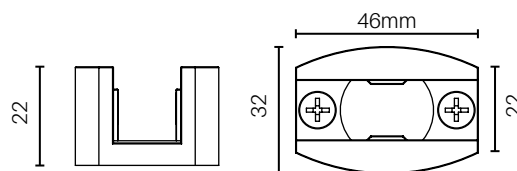
ANTI-LIFT SLIDING DOOR ROLLER



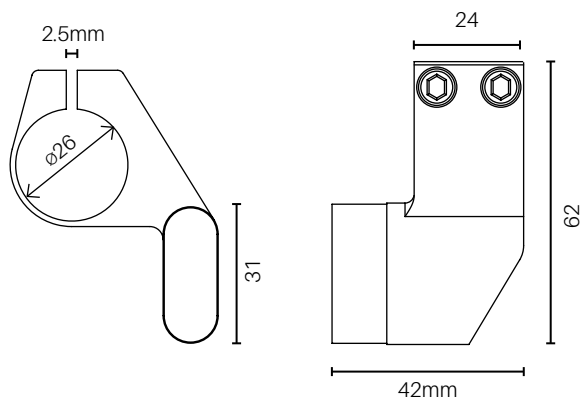
WALL MOUNT RAIL CLAMP



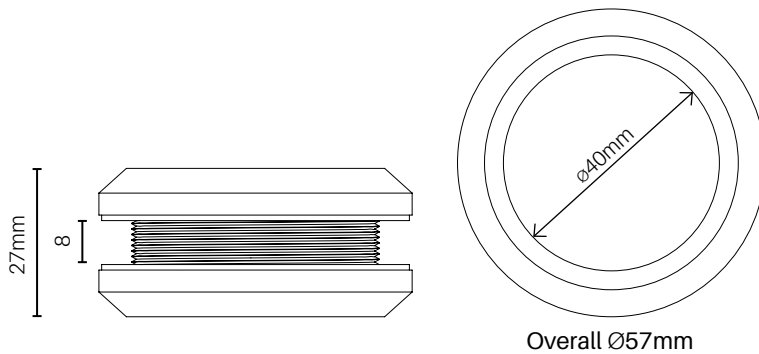
FLOOR GUIDE



DOOR STOPPERS (LEFT & RIGHT)

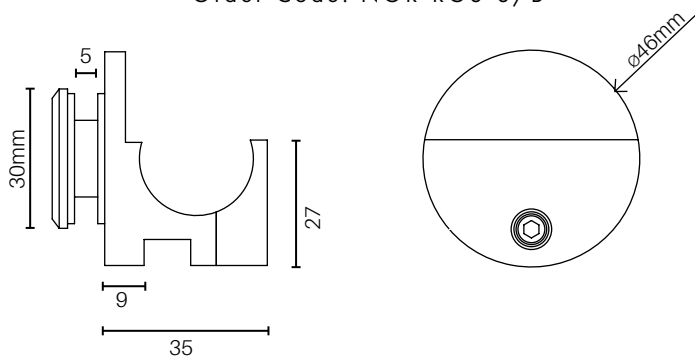


RECESSED ROUND HANDLE



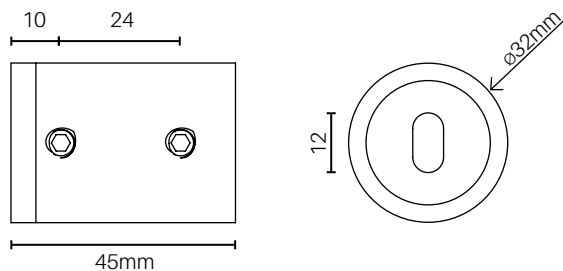
GLASS MOUNT RAIL CLAMP

Order Code: NOR-RGS-S/B

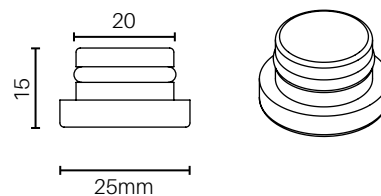


RAIL WALL BRACKET

Order Code: NOR-RWB-S/B



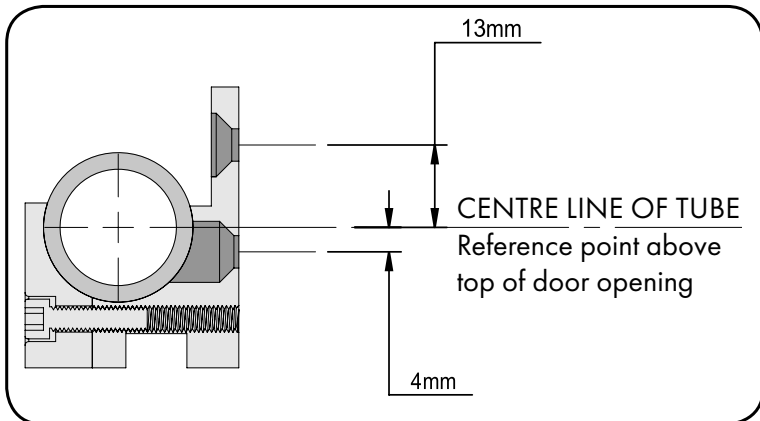
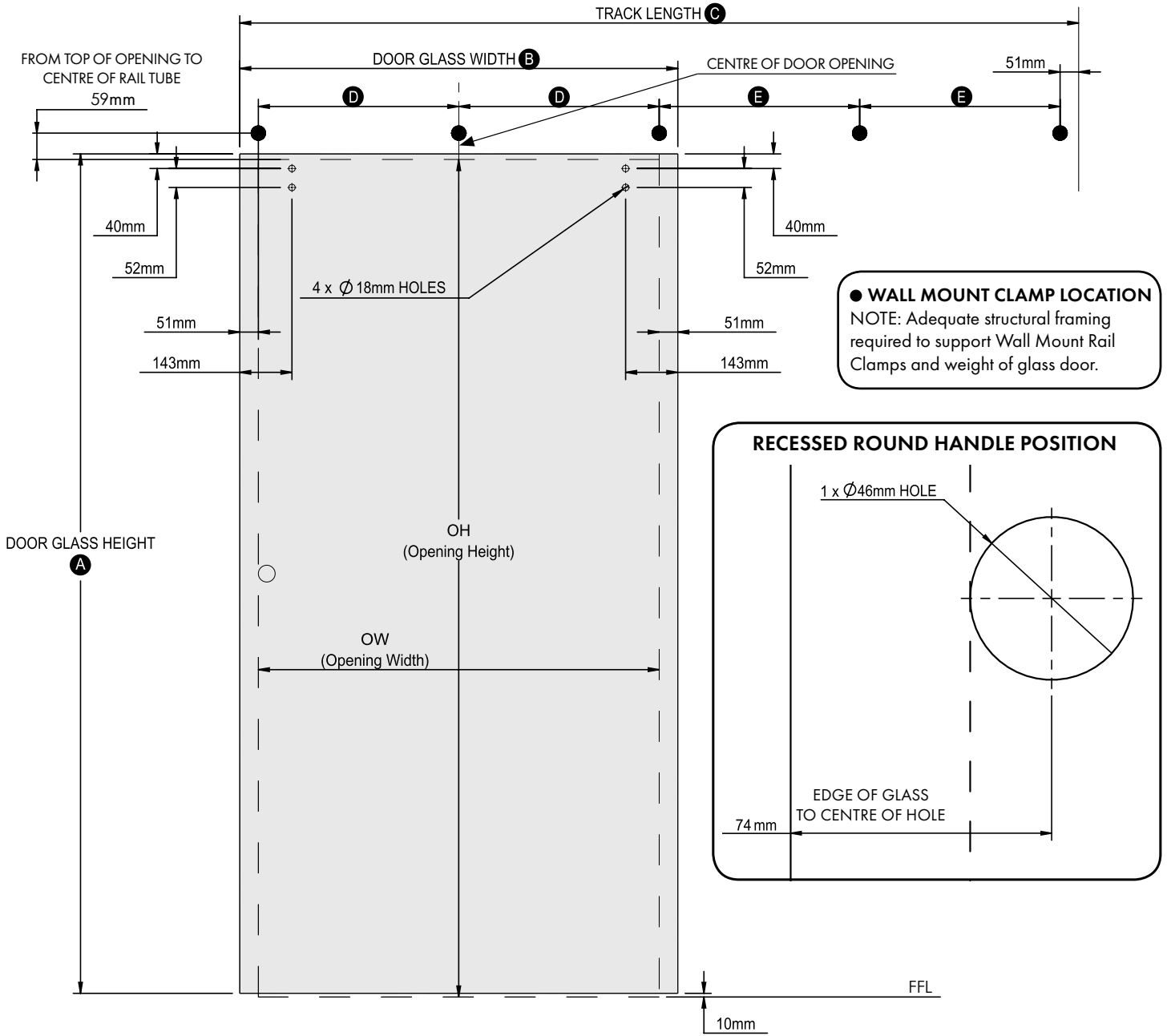
END CAP





NORSK GLASS FABRICATION SPECIFICATION

WALL MOUNT APPLICATION



- DOOR GLASS HEIGHT **A** = OH + 12mm
- DOOR GLASS WIDTH **B** = OW + 102mm
- TRACK LENGTH **C** = (OW X 2) + 152mm
- D** = OW / 2
- E** = (B / 2) - 25mm

- SYSTEM PARAMETERS**
- 10mm or 12mm TOUGHENED GLASS ONLY
 - Minimum Door Width: 960mm
 - Maximum Door Width: 1360mm
 - Maximum Door Height: 2500mm
 - Maximum Weight: 100kg

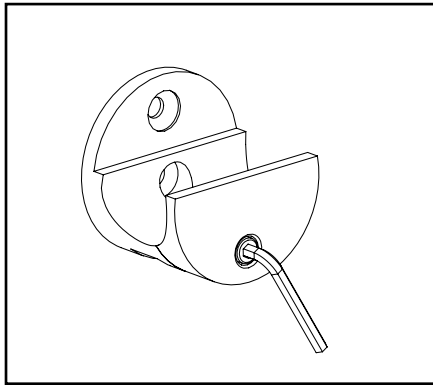
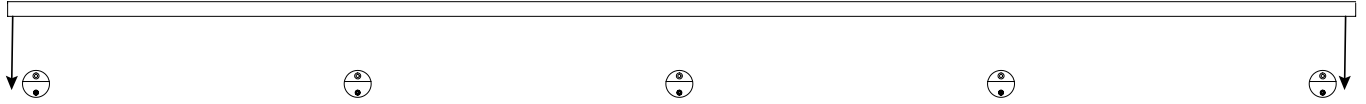


NORSK INSTALLATION GUIDE

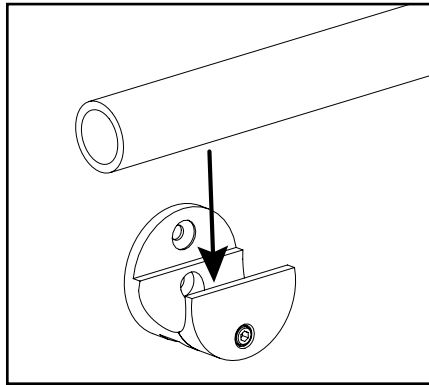
WALL MOUNT APPLICATION

1. Secure wall mount rail clamps to $\text{Ø}25\text{mm}$ railing.

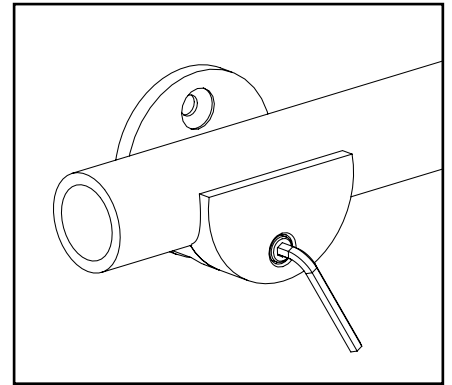
Cut the $\text{Ø}25\text{mm}$ railing to length. Referring to the glass fabrication formulas, position the 5 wall mount rail clamps onto the $\text{Ø}25\text{mm}$ railing on a flat surface.



Loosen front plate.

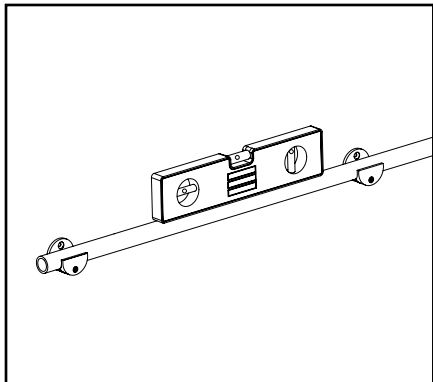
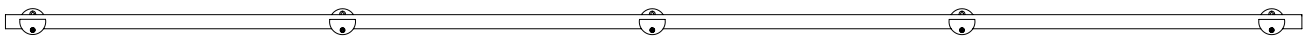


Fit railing into wall clamps.

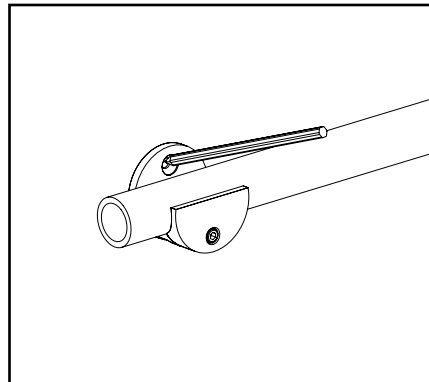


Hand tighten.

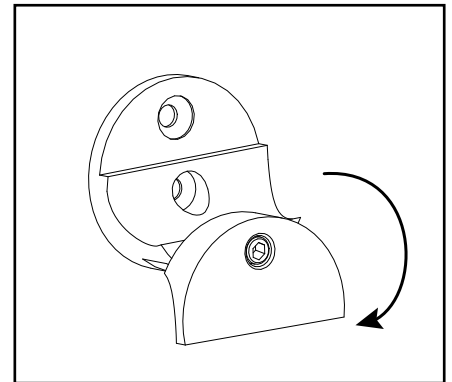
2. Position level to wall.



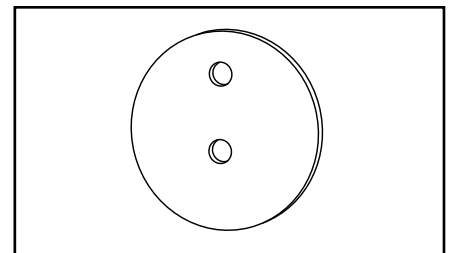
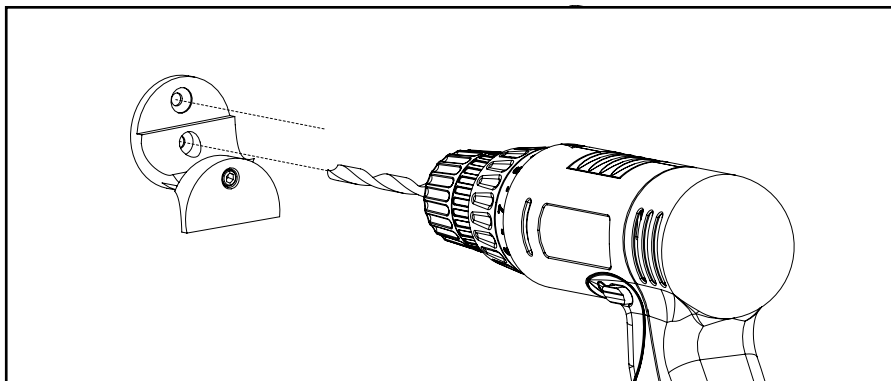
Ensure railing is level.



Mark holes for fixing.



Loosen and rotate front plate to reveal and mark bottom hole.



NOTE: Consider packers at this stage if wall is uneven or opening has an architrave.

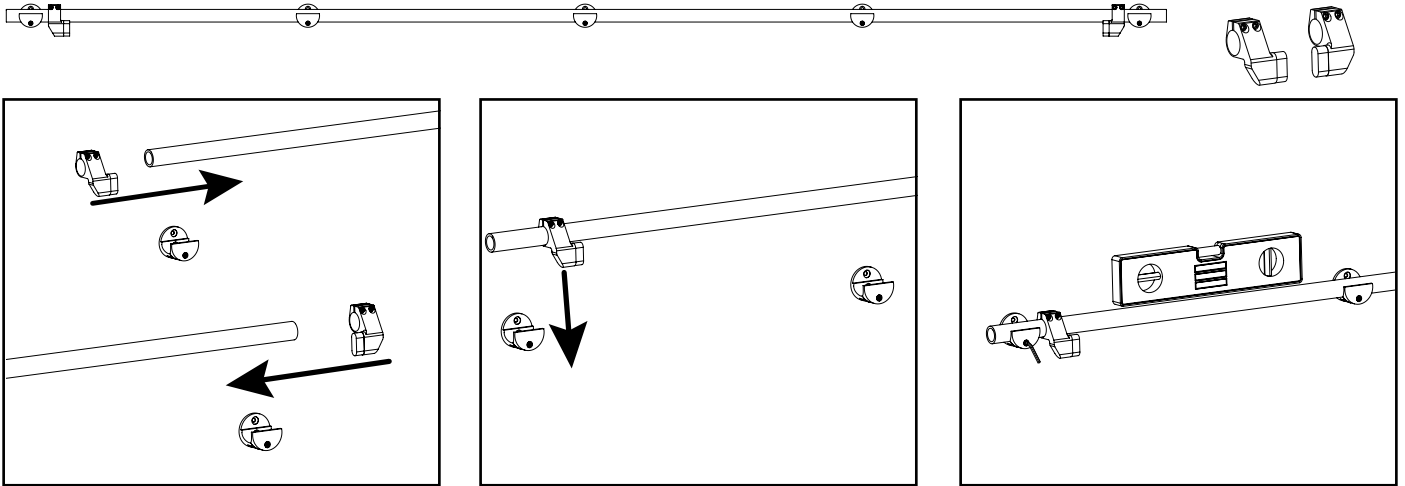
Drill and secure the wall mount rail clamp to the wall individually through the top and bottom holes.

Secure wall clamps individually to the wall using appropriate fixings.



NORSK INSTALLATION GUIDE

3. Install door stops and railing.



Slide left and right door stops onto railing.

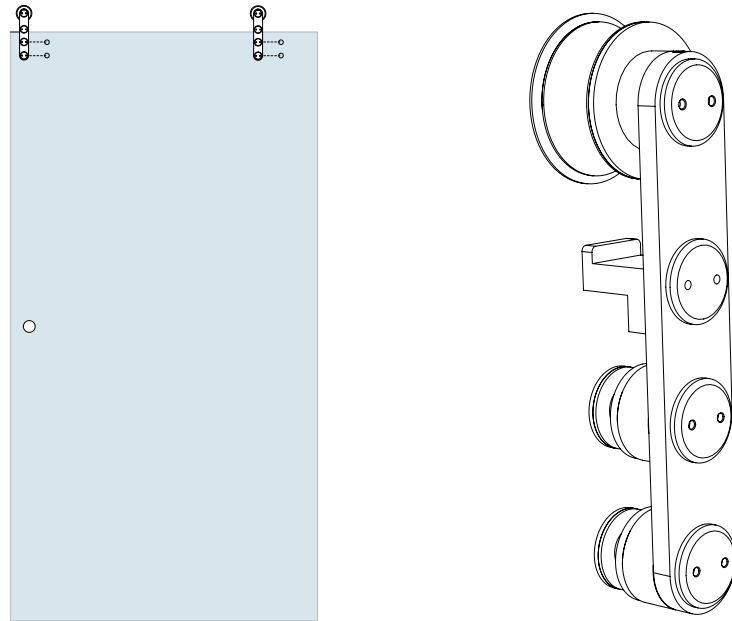
Ensure each stop clears outer wall clamp when replacing railing.

When railing is level, tighten the wall clamps.

IMPORTANT NOTE: Ultralock threadlocker is recommended on all screw threads during final assembly.

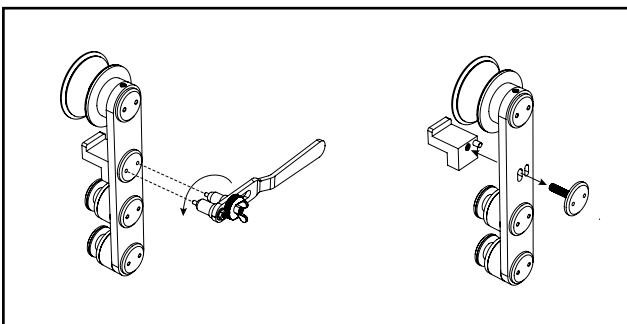
PREPARE AND HANG DOOR

4. Prepare top rollers

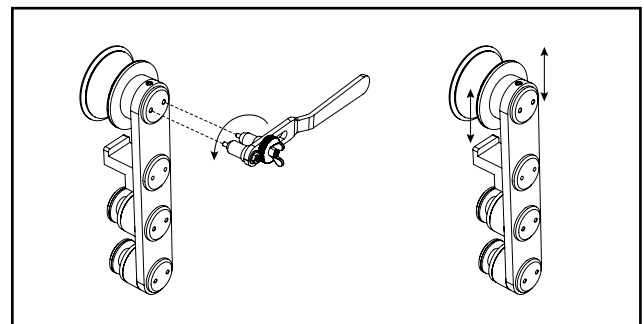


Use kit tool to remove anti-lift and door mount fittings and loosen top roller.

Top Roller



Remove anti-lift blocks until STEP 7.

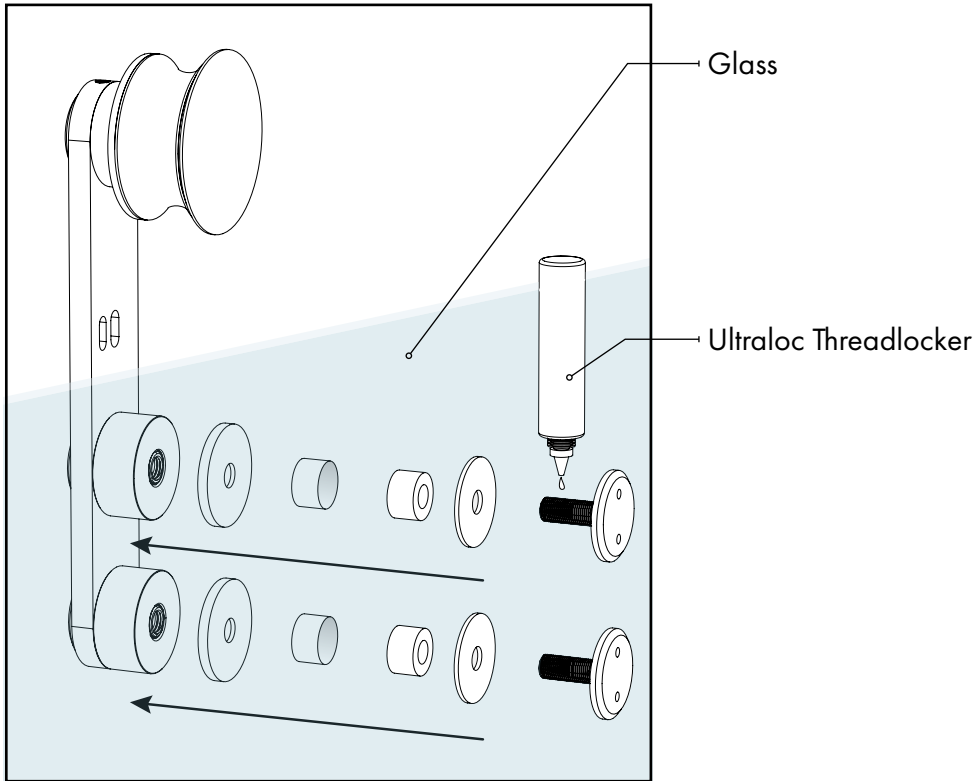


Slightly loosen top roller for ease of movement.



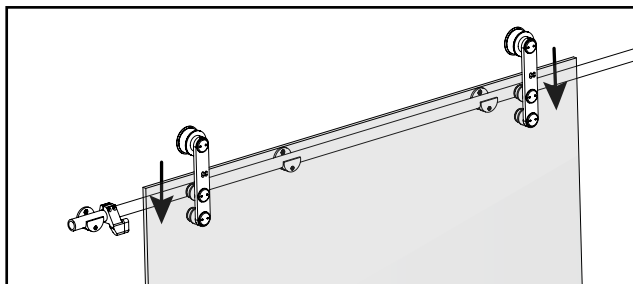
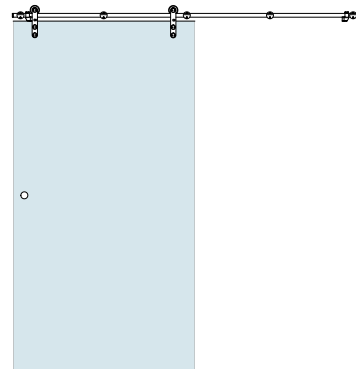
NORSK INSTALLATION GUIDE

5. Mount top rollers onto door

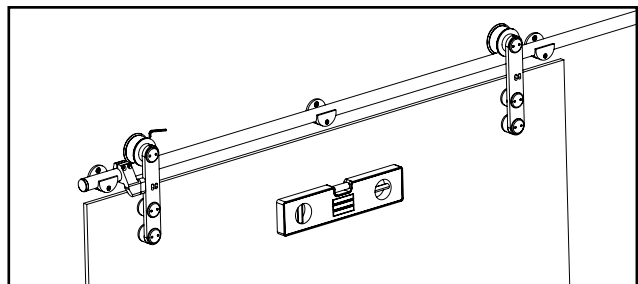


6. Hang door

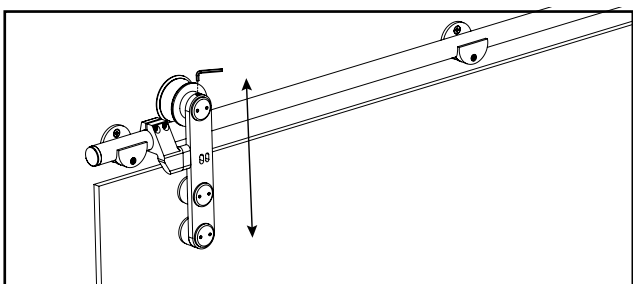
Place top rollers onto railing. Level door and tighten grub screw at top of roller at correct door height.



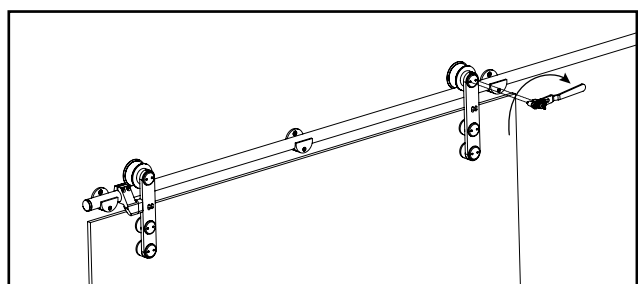
Place top rollers onto railing.



Ensure door is level.



Support door weight and use grub screw in top roller to adjust height.

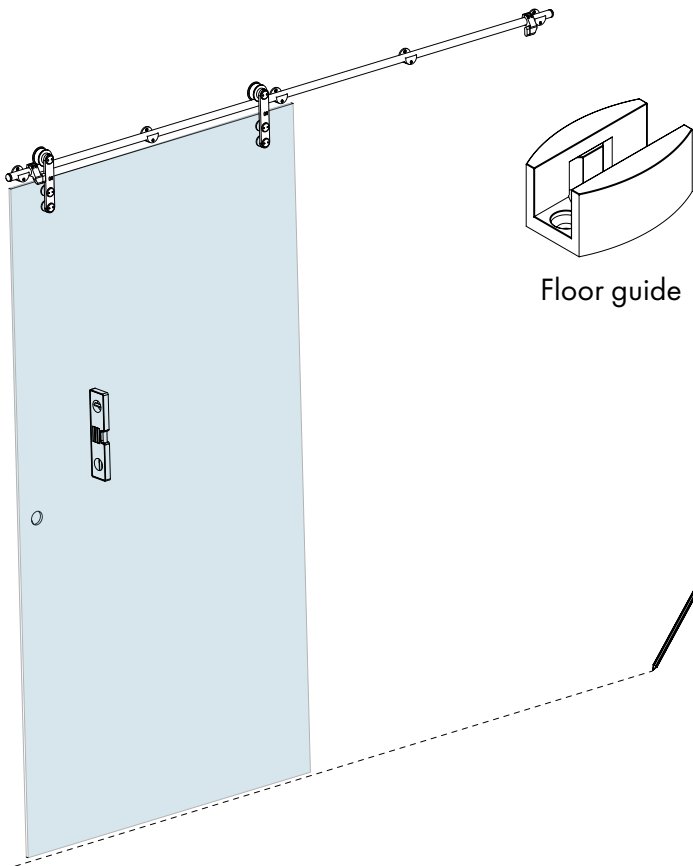


Tighten top roller with kit tool.



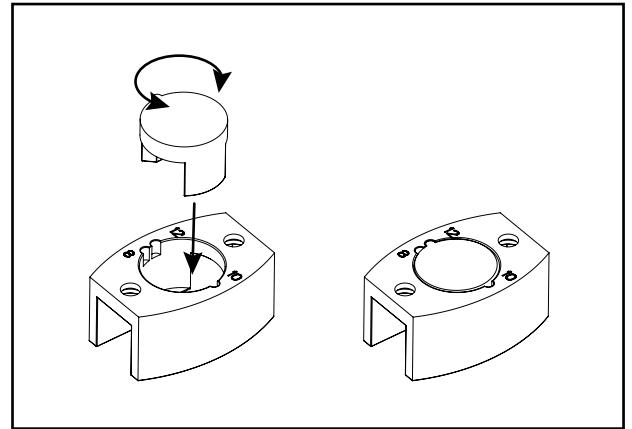
NORSK INSTALLATION GUIDE

6. Install floor guide.

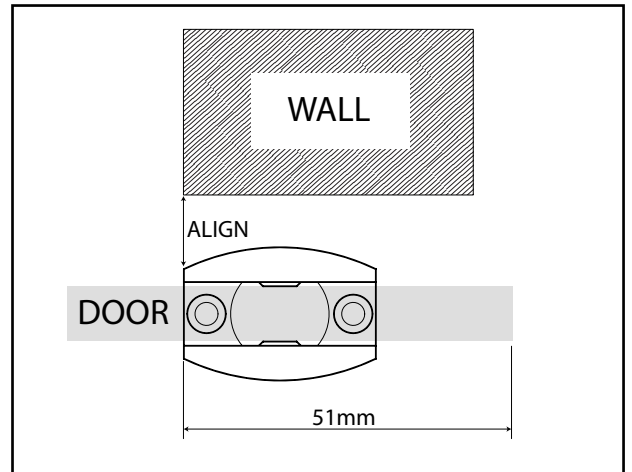


Floor guide

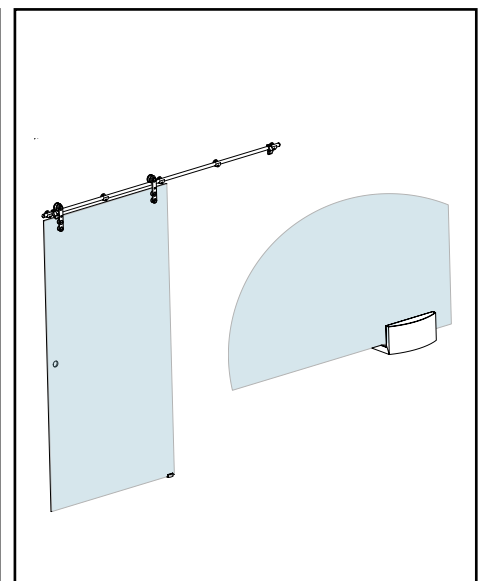
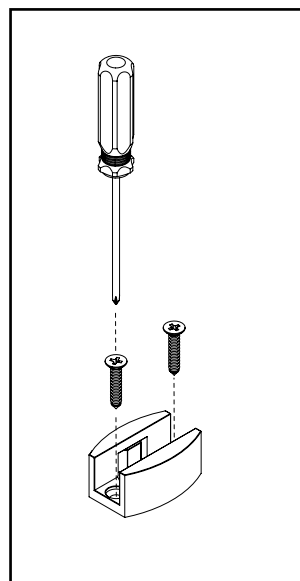
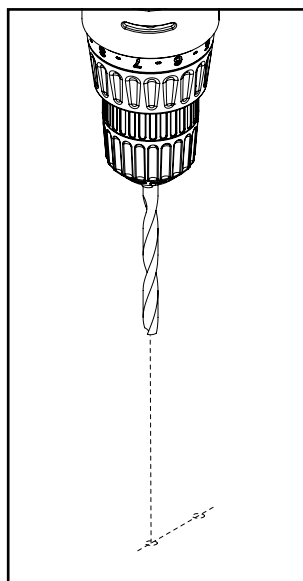
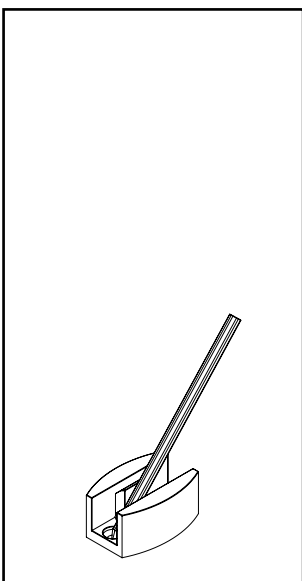
Plumb door to vertical. Mark centreline.



Adjust to fit 10mm or 12mm glass doors.



Remove door. Position floor guide so that it is aligned to wall. The door overlaps 51 mm.



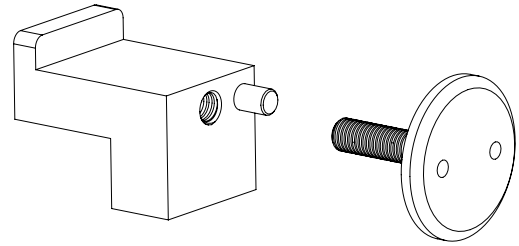
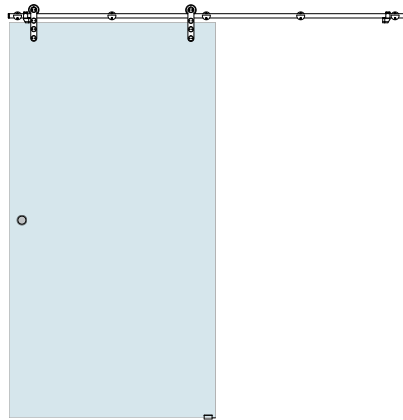
Mark, drill and install.

Re-hang door ensuring that it is engaged with the floor guide.

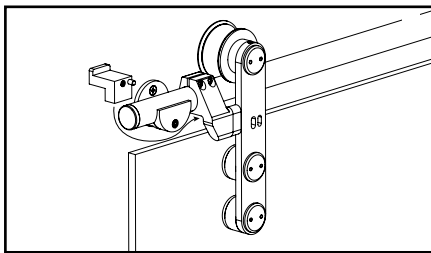


NORSK INSTALLATION GUIDE

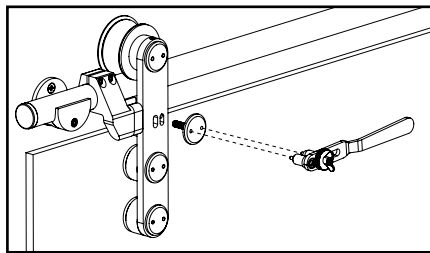
7. Install anti-lift block.



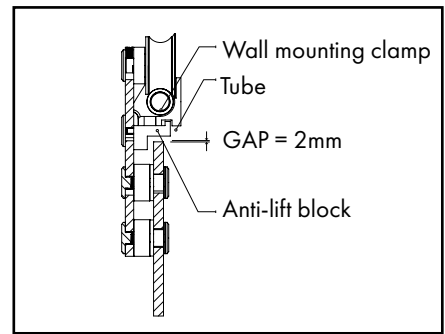
Anti-lift block



Fit anti-lift block under the railing.



Tighten with kit tool.



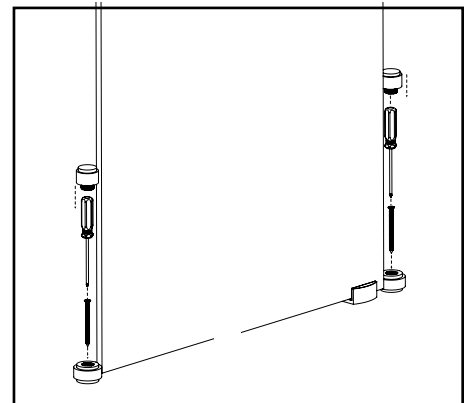
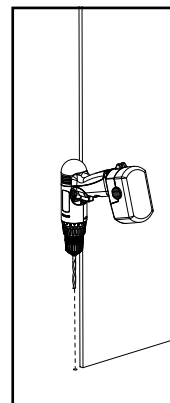
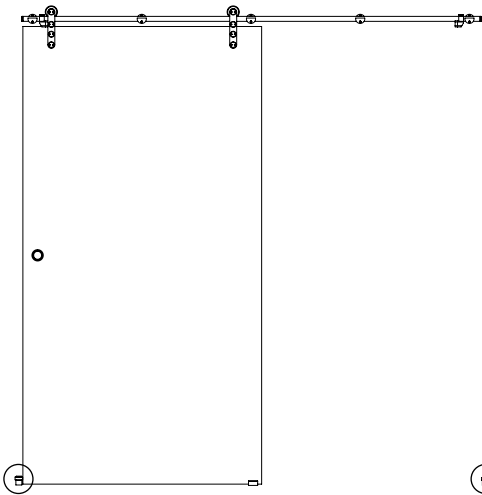
Adjust anti-lift block so roller moves freely through the wall mounting rail clamps.

8. Install floor mount door stops.

Position door in open and closed locations and then adjust door stoppers.

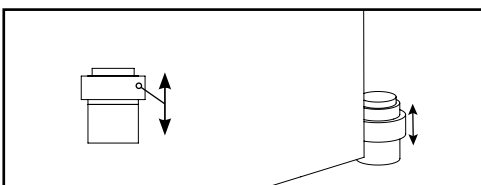
Slide door stoppers until door contacts bump stop.

Position bump stop so that glass contacts it at the same time.

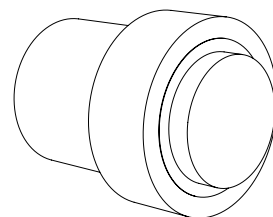


Drill holes. Install using proper fastener for substrate.

Install door bump stops below left and right door stops.



Slide rubber sleeve to meet glass edge.



NOTE: The floor mount door stops may also be mounted to the wall.



NORSK COMMON CONFIGURATIONS



SINGLE OPENING

Railing mounted to wall or glass panels

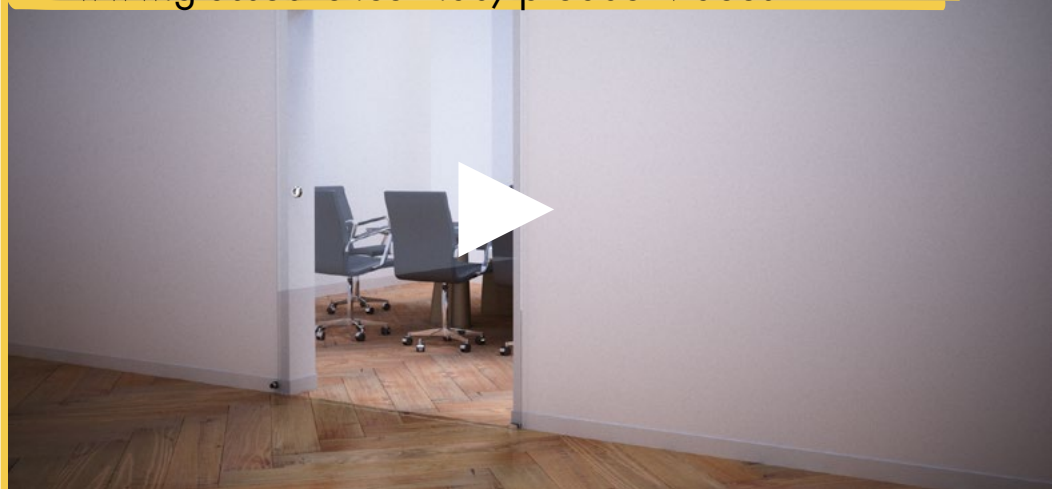


DOUBLE CENTRE OPENING

Railing mounted to wall or glass panels

Watch the videos

www.glassoutlet.com.au/product-videos





Klos

SLIDING RAIL SYSTEM

A slimline sliding rail system for homes or offices. The 2600mm aluminium hanging rail is predrilled for easy face or vertical mounting. Stylish cover/pelmet is satin anodised. The rail and pelmet can be cut for easy width adjustment. The hidden door carriers hold glass and run smoothly inside the rail.

A soft close mechanism is available as an optional extra. The mechanism is easy to install and simply slides into the hanging rail.

Glass can be custom made to size and finish.





KLOS HARDWARE GUIDE



KIT INCLUDES

- 1 x 2600mm long pre-drilled aluminium hanging rail (excludes fixings to wall)
- 1 x 2600mm long x 119mm high snap-on front cover plate (satin anodised aluminium)
- 2x End caps (satin anodised aluminium) with 2 fixing screws
- 2 x Sliding Door Carriers
- 2 x Internal Rail Door Stops
- 1 x Floor guide (satin SS304) with 2 fixing screws

Klos kit
ANODISED ALUMINIUM
Order Code: KLOS-KIT-5

The complete kit including rail provides a simple purchasing solution for wall or ceiling mount application. The glass panel slides along the track with high quality door carriers which are hidden behind a stylish satin anodised pelmet. The rail is easily width adjustable and also has fixing holes drilled at 406mm centres for ease of installation.

The Klos system is a high quality sliding rail system commonly featured in office or domestic environments.

An optional extra feature upgrade is the soft close mechanism for the ultimate in smooth closing.





KLOS HARDWARE GUIDE

COMPLETE RANGE OF EXTRAS ALSO AVAILABLE



Door handle

SS304

Satin finish

Order Code: **KLOS-HANDLE-S (Satin)**

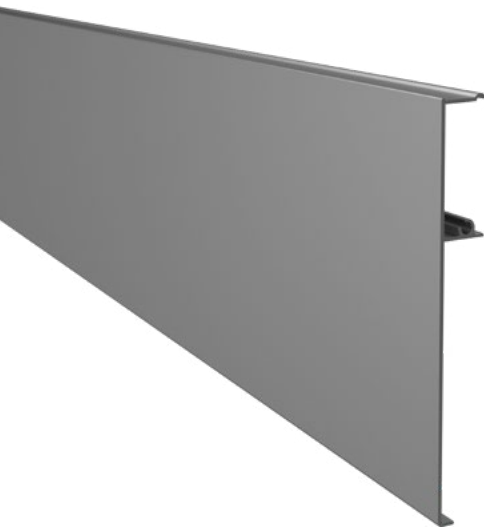
- 58mm diameter recessed round door handle
- Allows opening/closing from both sides
- Suits 46mm diameter glass hole
(Single and double full handles are also available in Glass Outlet's range)
- Refer page 7 for more information



Soft close mechanism

Order Code: **KLOS-SCM**

- Provides a smooth soft close of glass panel
- Can install at one end of rail or both
- Simply slide into hanging rail and hook onto door carrier(s)
Refer page 25 for system overview & simple installation guide
- Cost effective soft close solution



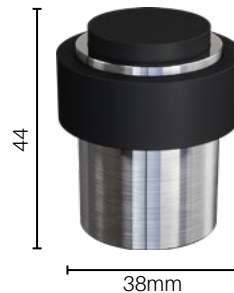
2600mm Cover/pelmet

ANODISED ALUMINIUM

Satin finish

Order Code: **KLOS-FC-S (Satin)**

- Optional extra cover/ pelmet
- Satin anodise finish
- 2600mm long x 119mm high - snaps onto hanging rail
- Can be width adjusted - simply cut to required size
- Required in void situation where hanging rail & door carriers visible both sides. Extra cover/pelmet snaps onto 'back' side of rail



Door bump stop

SS304

Satin finish

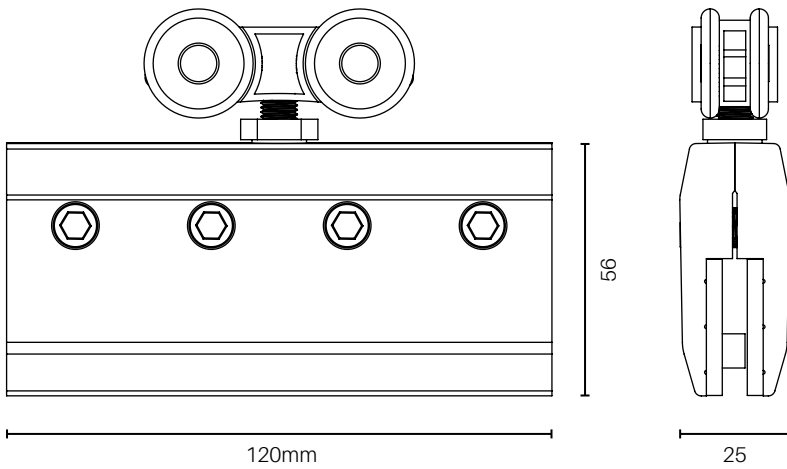
Order Code: **P-BUMP-S (Satin)**

- Versatile door stopper - install onto floor (vertically) or into wall (horizontally)
- 2 Part design enables easy installation plus hidden fixing
- Single sturdy ST8x65mm SS304 screw
- Side rubber position can be changed to align with glass

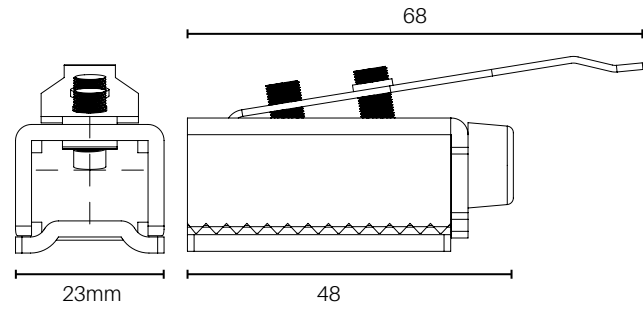


KLOS HARDWARE SPECIFICATION

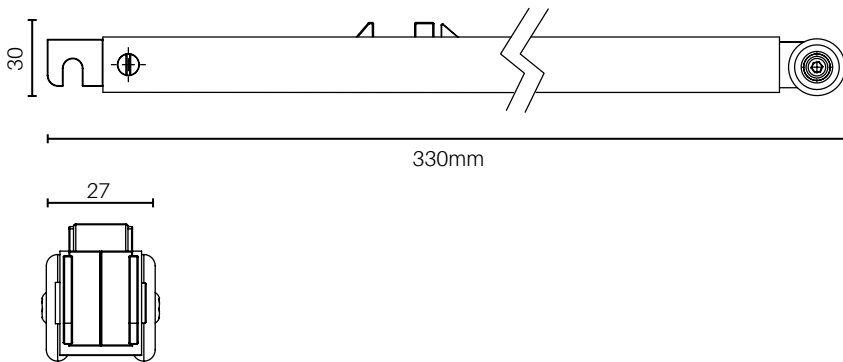
SLIDING DOOR CARRIER



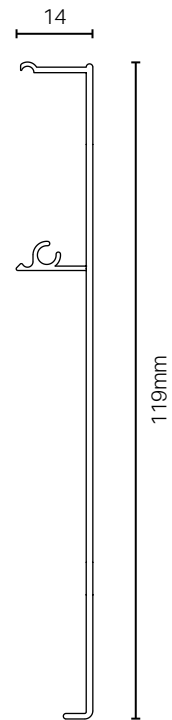
INTERNAL RAIL DOOR STOP



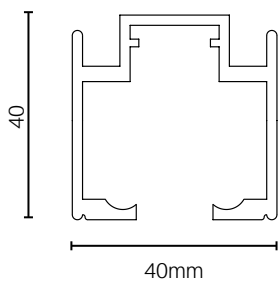
SOFT CLOSE MECHANISM



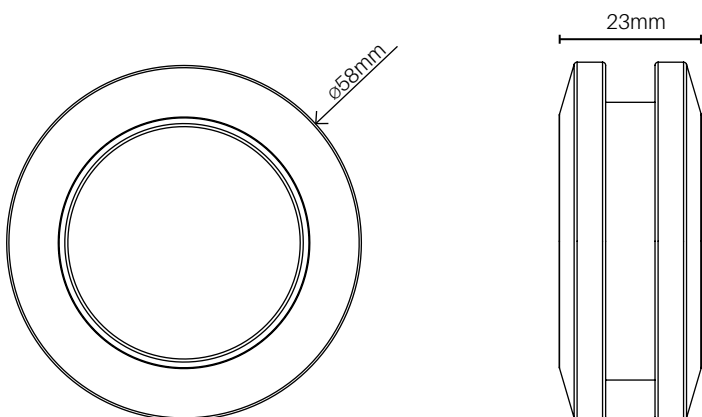
SNAP-ON FRONT COVER PLATE



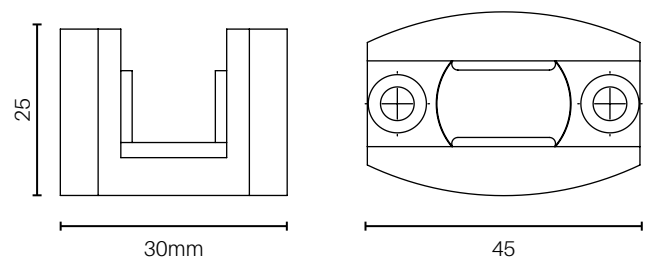
PRE-DRILLED HANGING RAIL



DOOR HANDLE



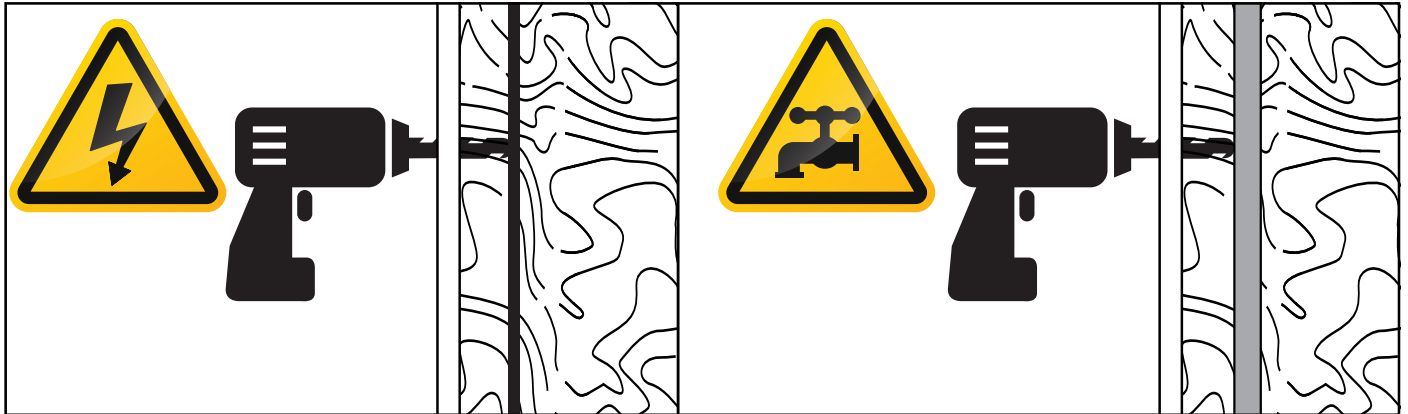
FLOOR GUIDE





KLOS INSTALLATION GUIDE

CAUTION



Ensure drilling points are void of utility lines.

INSTALL HARDWARE: WALL OR CEILING

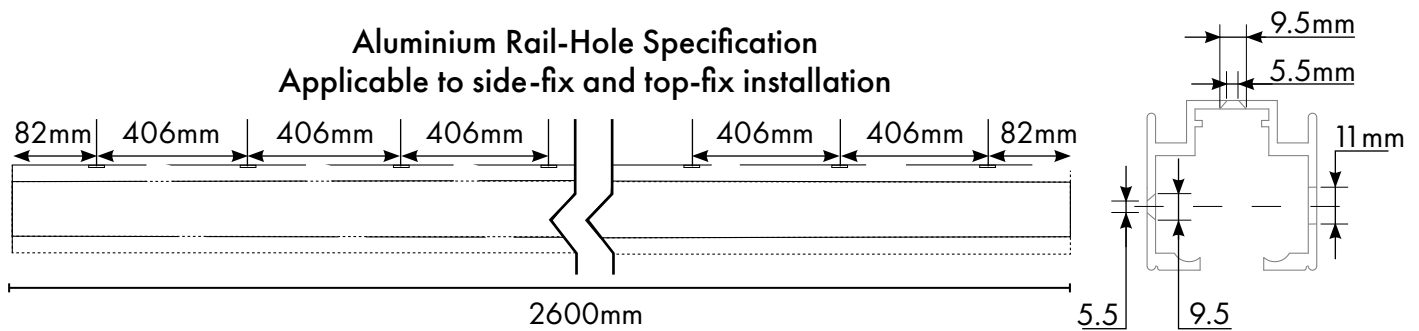
1. Drill holes in wall or ceiling at 406mm spacings. The rail is pre-drilled at 406mm spacings.

Use a spirit level to ensure level hole positions.

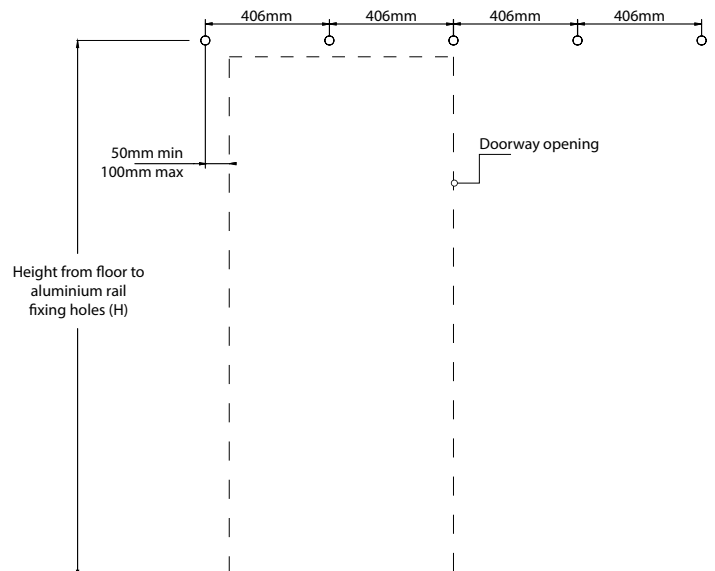
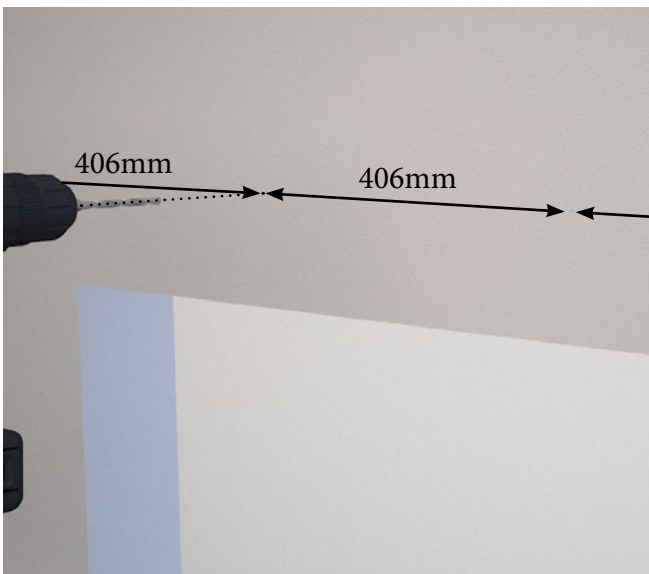
Allow 50-100mm space from end of door opening to last mounting hole.

For wall mount fitting, consider if architraves present. If so, packing out rail with appropriate packers may be necessary (packers not included in kit).

Aluminium Rail-Hole Specification Applicable to side-fix and top-fix installation



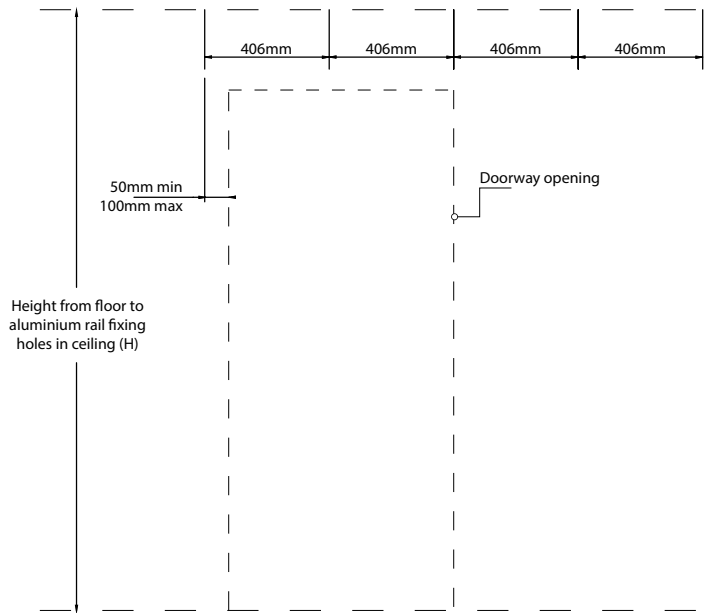
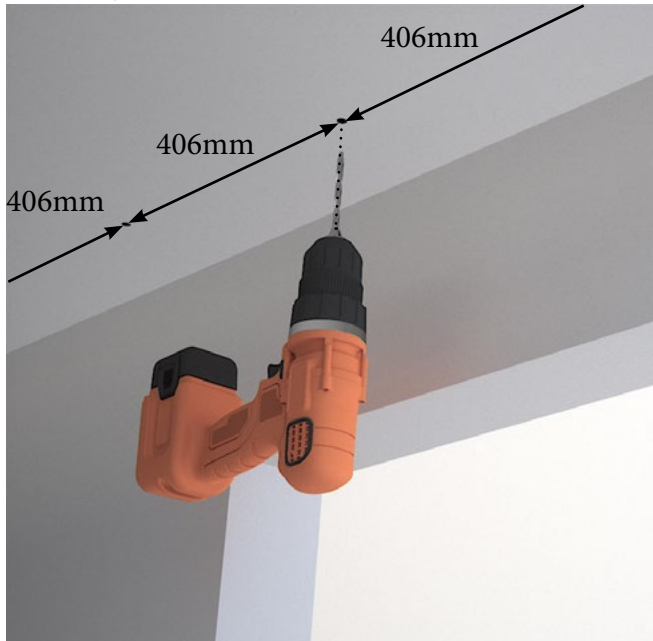
Wall Mounted



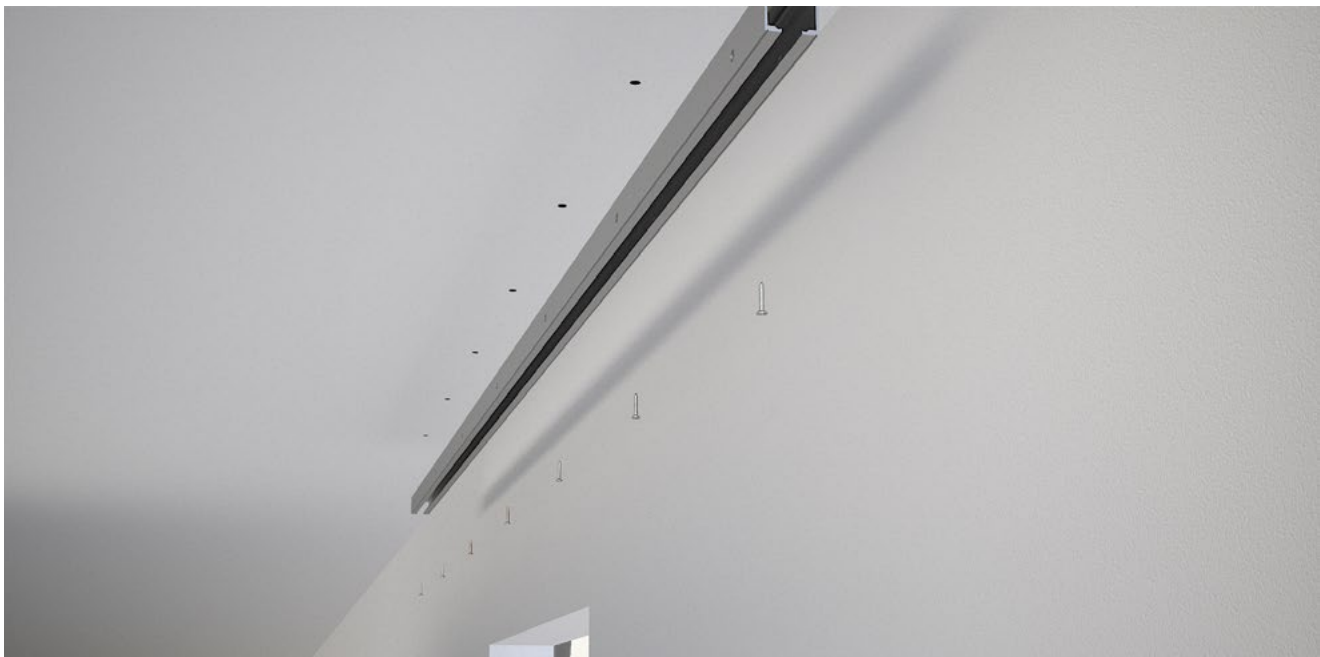


KLOS INSTALLATION GUIDE

Ceiling Mounted



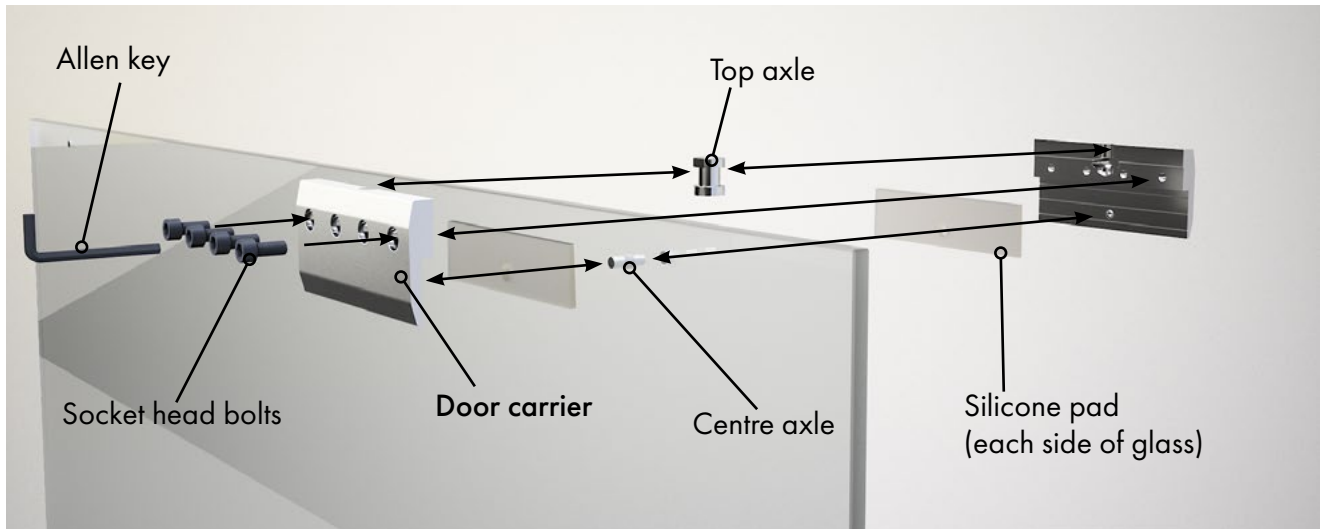
2. Install aluminium rail onto wall/ceiling using appropriate fixings depending on substrate (fixings not supplied in kit).





KLOS INSTALLATION GUIDE

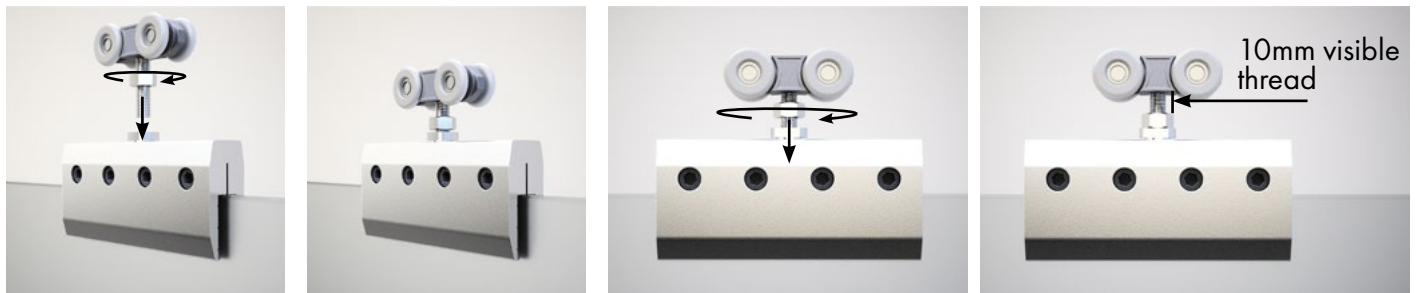
3 (a) Install door carriers onto glass door through hole in door, tightening 4 x socket head bolts.



3 (b) Install roller carriage onto top of door carrier.

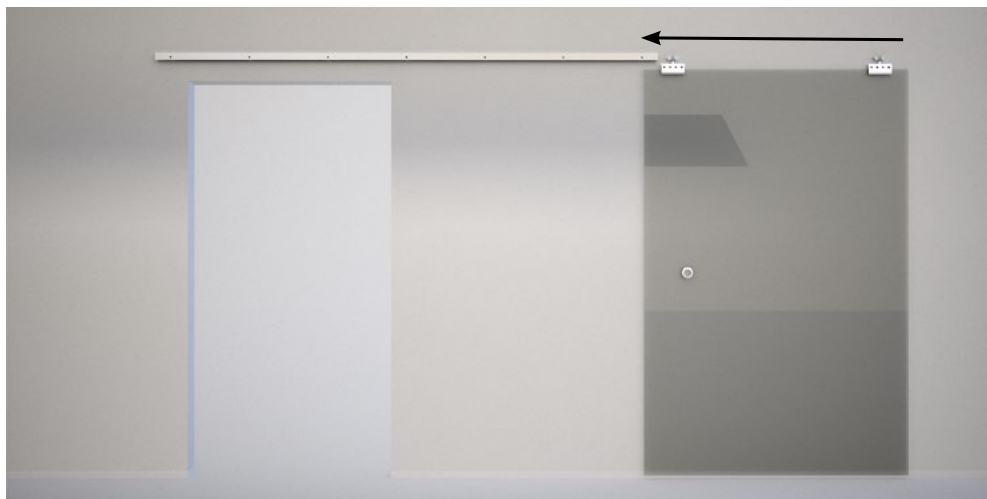
3 (c) Installation starting point - 10mm of visible thread

Once sliding door carrier is installed onto glass, wind down lock nut so it is secured against the top of the carrier.



4. Slide Door Onto Aluminium Rail

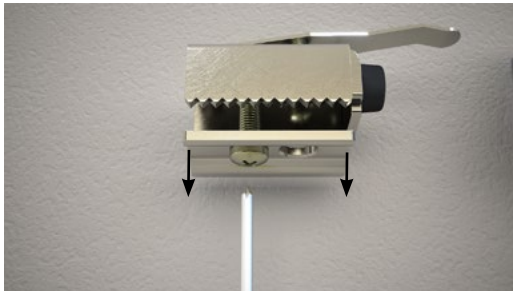
Ensure door is secure in rail prior to installing internal stoppers at both ends of rail. Do not leave door hanging without installation of door stops - see next step.



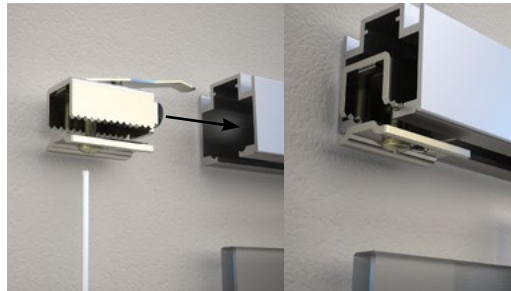


KLOS INSTALLATION GUIDE

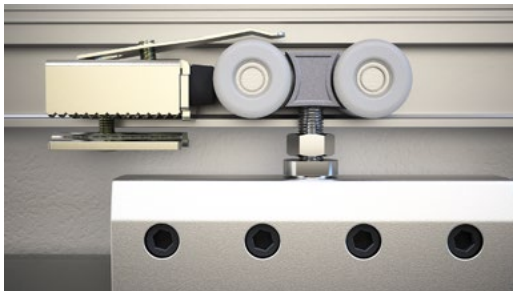
5. Install door stop: Loosen bottom screw and slide rail into rail.



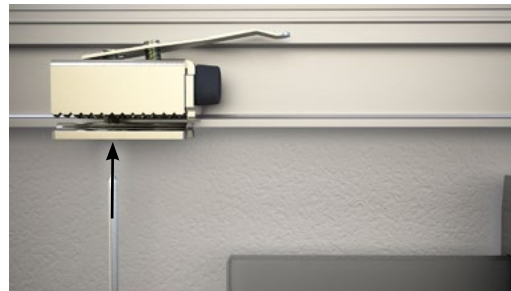
Loosen bottom screw



Slide into aluminium rail



With door in closed-position, position stopper against carriage



Move door away and secure position with bottom screw



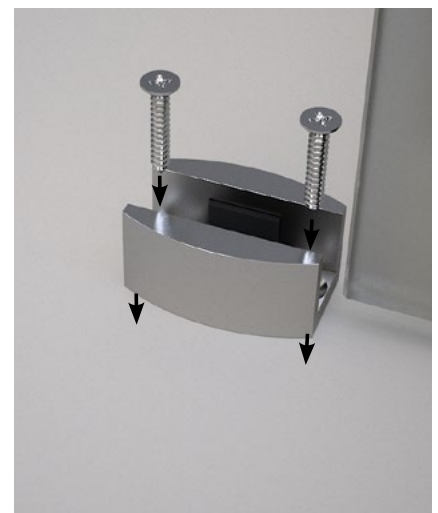
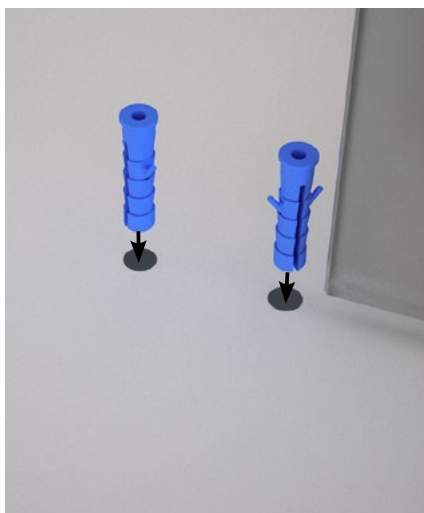
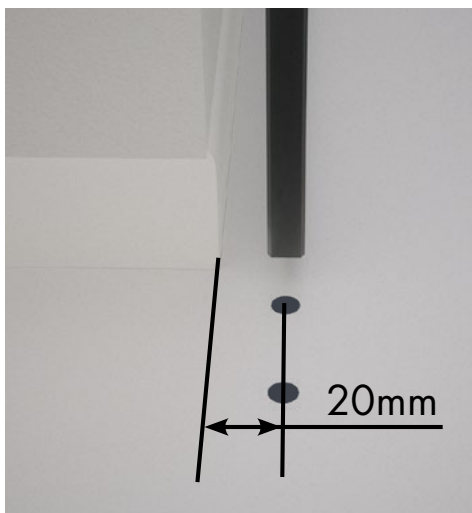
Adjust stopped tongue with second screw to desired clipping strength



Repeat on other side with door in opened position

7. Install floor guide in position so that door is inside guide in both fully open and closed positions, and as such never moves out of guide.

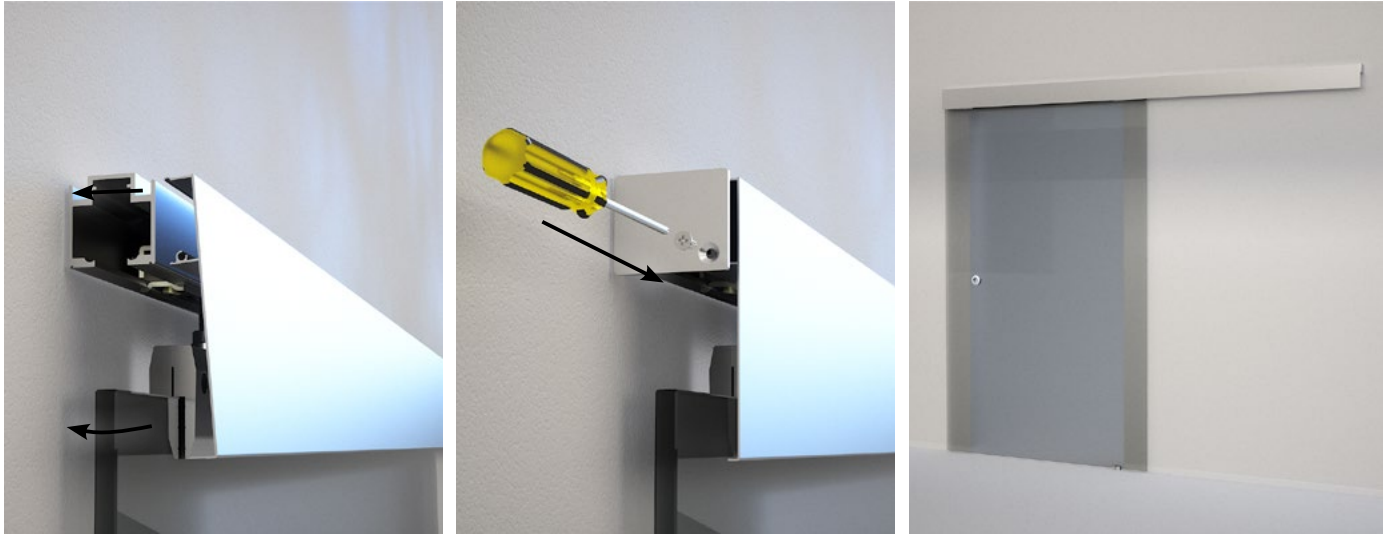
Leave approximately 20mm gap between any wall and centre of fixing holes.



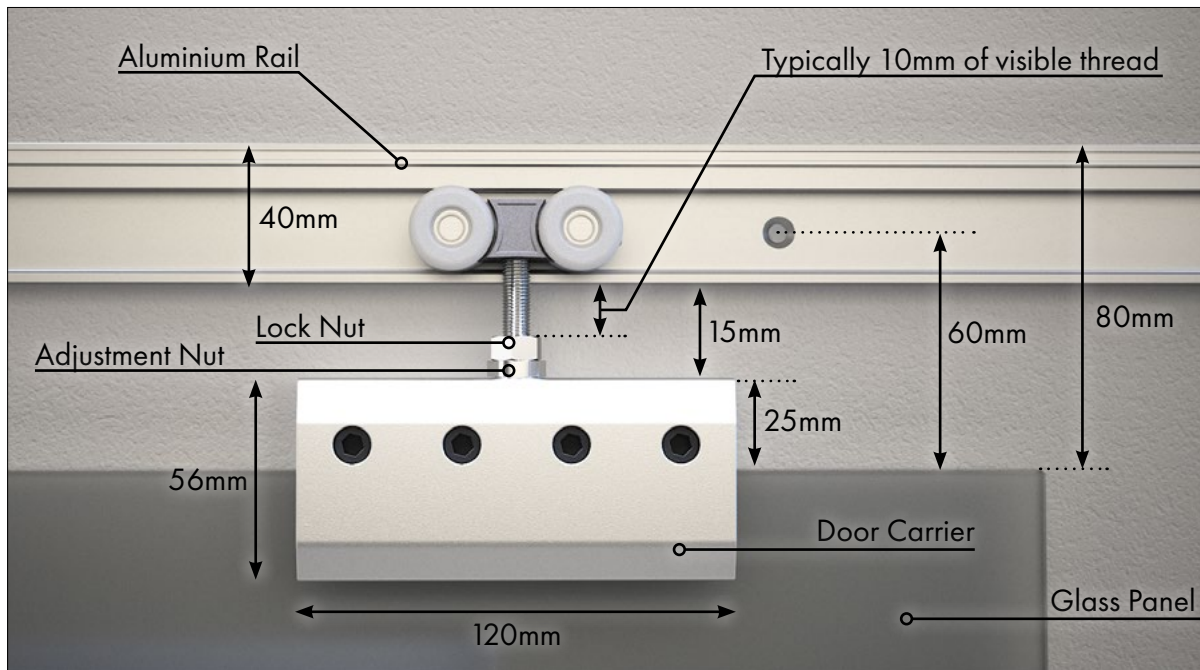


KLOS INSTALLATION GUIDE

8. Install aluminium pelmet and finish ends of rail with end cap.



Dimensional Overview of Typical Configuration

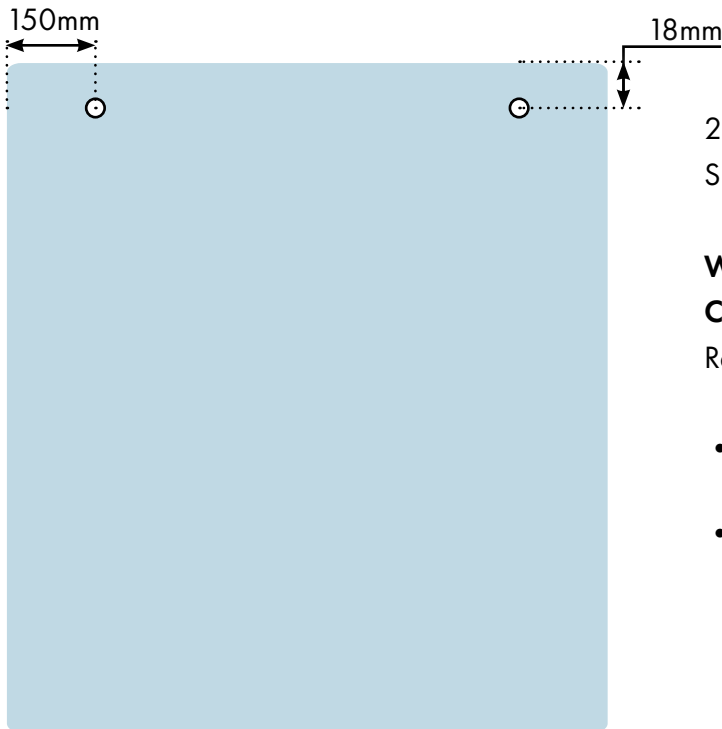




KLOS GLASS SPECIFICATION

Recommended for 8 or 10mm toughened glass.

Note: Door maximum width 1200mm / max weight 80kg.



2 x 12mm diameter holes.
Slotted holes recommended

Wall Mount: Glass height = (H)-70mm

Ceiling Mount: Glass height = (H)-90mm

Refer pages 20-21 for measuring guidance

- For door handle, hole specification dependent on handle/knob selected
- For recessed KLOS handle, a 46mm diameter hole is required

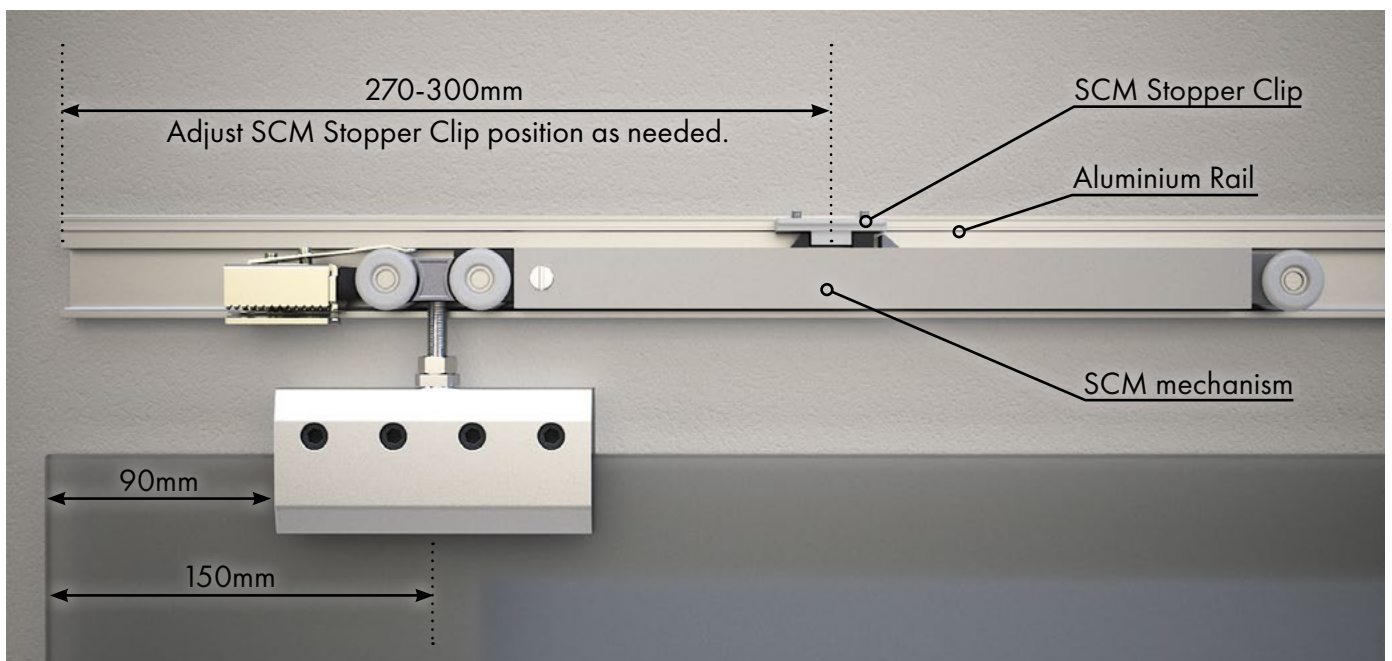
OPTIONAL: Soft close mechanism installation

(a) Refer Step 5 of guide - clip on soft close mechanism ("SCM") onto door carrier so it becomes a combined unit. Slide into rail as complete unit.

*** Note: as an extra safety feature, the standard stopper should also be installed in case the SCM stopper mechanism fails.

(b) Insert SCM stopper clip separately into the top section of rail. Refer guide below on position of stopper. Adjust to exact position testing glass panel opening and closing. Secure once ideal stopper position identified.

(c) Test door by opening and closing to ensure soft close function operational and stopping at required position.





STÄL

SLIDING RAIL SYSTEM

**A beautiful, frameless sliding
showerscreen system designed to stand
out from the rest, with only the best
fittings used.**

The STÄL system is ideal for wide openings and can be used in both inline and 90° applications.

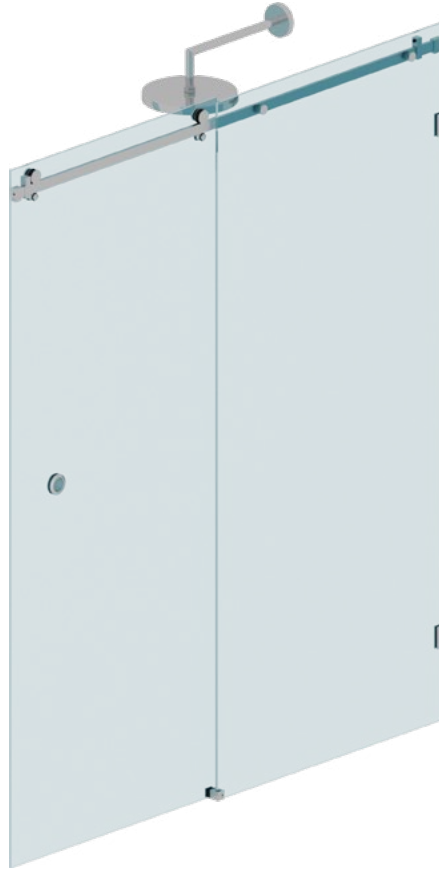
Achieve any installation size between 1200mm wide to 1940mm wide with modular panels or custom made glass.

Hardware available in high polish or matt black finish

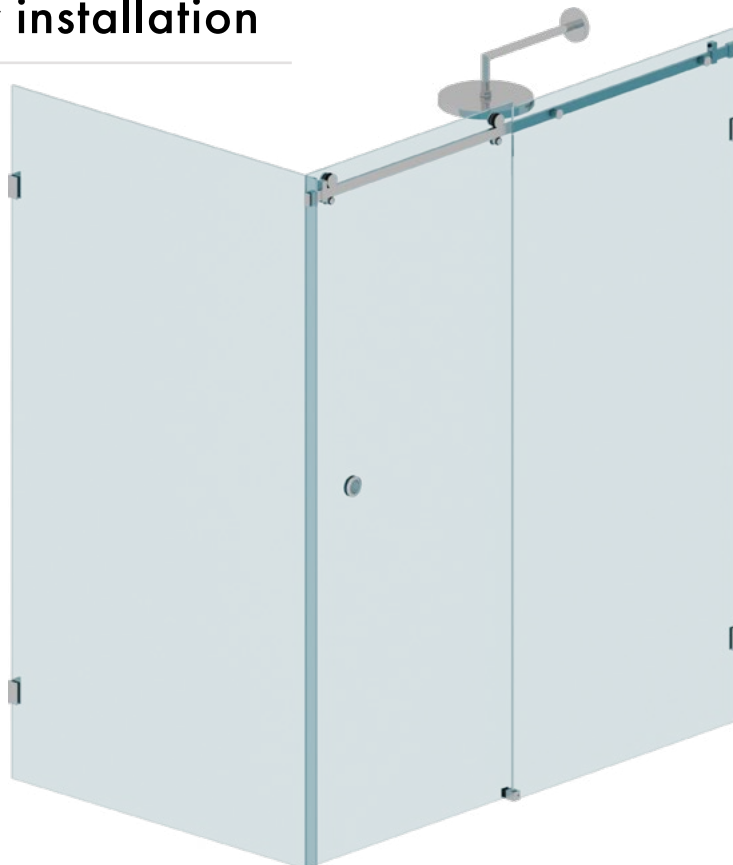


STAL CONFIGURATIONS

in Inline installation



90° 90° corner installation





STAL HARDWARE GUIDE

SELECT HARDWARE OPTIONS

Stäl kit **in 90°**

POLISH FINISH / SS304

Order Code: STAL-KIT (Polish)

Kit includes:

- 1 x Recessed Round Handle;
- 2 x Door Upper Rollers;
- 2 x Door Stabiliser Guides;
- 2 x Fixed Panel Rail Connectors;
- 2 x Stoppers;
- 1 x Floor Guide;
- 2 x Rail Wall Brackets;
- 3 x Hex/Allen Keys



1 x Recessed Round Handle



2x Door upper rollers



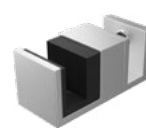
2x Door stabiliser guides
offset screws allow height adjustment of guides



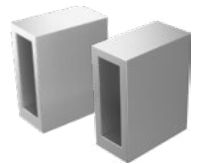
2x Fixed panel rail connectors



2x Stoppers



1x floor guide



2x rail wall brackets



IMPORTANT!

Use Loctite 242 or Ultraloc 3242 threadlocker with screws

SELECT RAIL



Pre-drilled rail **in 90°**

POLISH FINISH - SS304

Order codes:

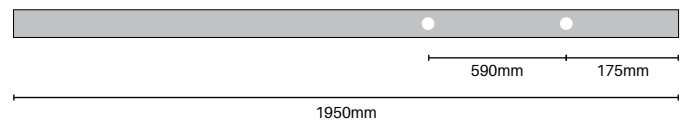
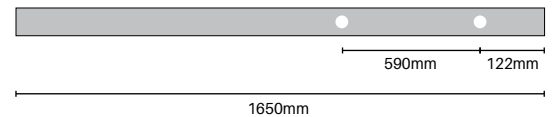
STAL-RAIL-1650 (1650mm long)

STAL-RAIL-1950 (1950mm long)

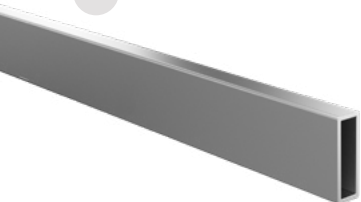
Rail dimensions: 30mm high x 10mm wide

Pre-drilled rail is ready to install with modular panels. Pre-drilled holes align with the 4x modular glass fixed panel holes.

Simply cut down rail ends to desired overall width and install rail and glass panels.



OR



Blank rail **in 90°**

POLISH FINISH - SS304

Order codes:

STAL-RBLANK-1650 (1650mm long)

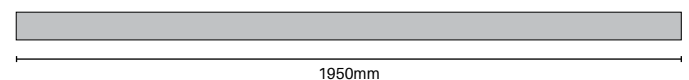
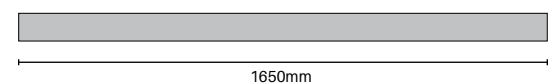
STAL-RBLANK-1950 (1950mm long)

Rail dimensions: 30mm high x 10mm wide

Custom drilling of rail holes enables flexibility for unique install situations where pre-drilled rails do not suit.

Enables drilling for configurations such as PANEL > DOOR > PANEL

Drill holes in rail to be 10mm diameter





STAL HARDWARE GUIDE

WALL BRACKET OPTIONS

in 90°  **Wall bracket**
 CHROME PLATED
 SOLID BRASS
 Order code: **P-WB**
 Wall bracket - Use to install fixed glass panels to wall

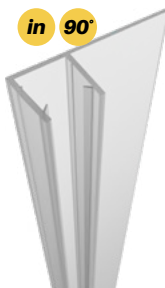
OR


in 90°  **Offset wall Bracket**
 CHROME PLATED
 SOLID BRASS
 Order code: **P-WB-O**
 Install fixed glass panels to wall

in 90°  **Slimline rail Wall bracket**
 POLISH FINISH
 SS304
 Order code: **STAL-RWBS**
 ⚠ Only required if using a 650mm wide modular fixed glass panel

SEALS, BUMPERS & WATER BARS

in 90°  **Door bumper Stopper**
 PVC - 2130MM L
 Order code: **STAL-D10-2130**
 Suits 10mm glass
 10mm bulb
 Prevents contact between glass door & wall

in 90°  **OPTIONAL Water seal**
 PVC - 2130MM L
 Order code: **STAL-FP10-2130**
 Suits 10mm glass - 26mm L
 Flexible PVC fin - Reduce water escape between door & fixed panel

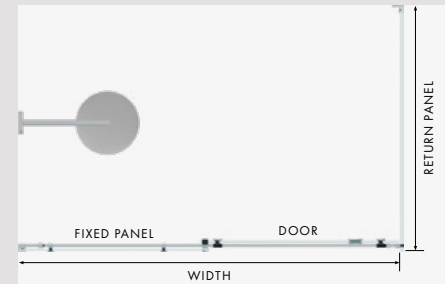
in 90°  **OPTIONAL Water bar**
 POLISHED ALUMINIUM
 Order code: **P-BAR12-2000-PA**
 Silicon to floor in front of door
 Dimension: 6mm H x 12mm W x 2000mm L
 Easily cut to size as required


OPTIONAL EXTRAS


90°  **90° bracket**
 POLISH FINISH - SS304
 Order code: **STAL-90J**
 Required when installing with a glass return panel
 2 x modular glass return panel sizes available or custom make glass as needed

Return panel measuring tips

- Return panel width measured from wall to front face of front/fixed inline panel
- If using a wall bracket to affix return panel to wall, a deduction needs to be made to the glass return panel width to allow for bracket gap (commonly 3 to 5mm)
- When measuring width of fixed panel and door panel when using a return panel, width is measured from wall to inside edge of 10mm thick return panel



 **Rail connector**
 POLISH FINISH - SS304
 Order code: **STAL-RC**
 Used for extra fixings to stainless steel rail.
 Example: If fabricating a 3 panel set up
 FIXED PANEL > DOOR > FIXED PANEL


 **Bostik 6s silicone**
 300g TUBE
 Order code: **P-S-6S**
 Translucent finish
 High performance neutral cure silicone sealant with mould inhibitor

OR  **Soudal silicone**
 TRANSLUCENT
 300g TUBE
 Order code: **SOUD-KBS-TRANS**
 Translucent finish
 High performance neutral cure silicone

 **Enduroshield kit**
 Order code: **ENDURO-GC-125**
Kit includes:
 125m EnduroShield Glass Home Surface Treatment
 250ml EnduroClean Pre-Cleaner
 Fine Steel Wool & Polishing Cloth
 Instructions (Step by Step)
 3 Year limited warranty

COVERS UP TO 85QM

 **Clear setting blocks**
 PACK OF 100
 Order code: **P-SB**
 1.5mm x 12mm x 50mm High
 Use to sit fixed glass panels on (use in conjunction with silicone)

 **Ultraloc threadlocker 3242 compound**
 10ml BOTTLE
 Order code: **ULTRALOC-3242**
 Medium strength removable grade threadlocking compound



STAL HARDWARE GUIDE

SELECT HARDWARE OPTIONS

Stäl kit **in 90°**

MATT BLACK FINISH / SS304

Order Code: **STAL-KIT-B (Matt black)**

Kit includes:

- 1 x Recessed Round Handle;
- 2 x Door Upper Rollers;
- 2 x Door Stabiliser Guides;
- 2 x Fixed Panel Rail Connectors;
- 2 x Stoppers;
- 1 x Floor Guide;
- 2 x Rail Wall Brackets;
- 3 x Hex/Allen Keys



1 x Recessed Round Handle



2x Door upper rollers



2x Door stabiliser guides
offset screws allow height adjustment of guides



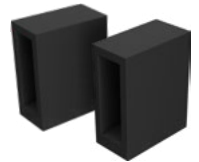
2x Fixed panel rail connectors



2x Stoppers



1x floor guide



2x rail wall brackets



IMPORTANT!

Use Loctite 242 or Ultraloc 3242 threadlocker with screws

SELECT RAIL



Pre-drilled rail **in 90°**

MATT BLACK FINISH - SS304

Order codes:

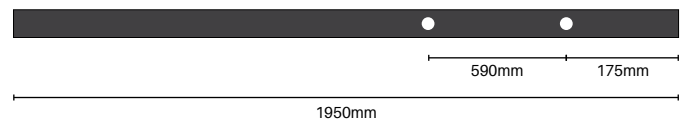
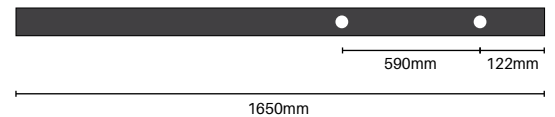
STAL-RAIL-1650-B (1650mm long)

STAL-RAIL-1950-B (1950mm long)

Rail dimensions: 30mm high x 10mm wide

Pre-drilled rail is ready to install with modular panels. Pre-drilled holes align with the 4x modular glass fixed panel holes.

Simply cut down rail ends to desired overall width and install rail and glass panels.



OR



Blank rail **in 90°**

MATT BLACK FINISH - SS304

Order codes:

STAL-RBLANK-1650-B (1650mm long)

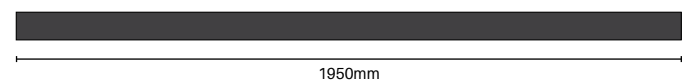
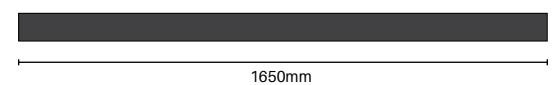
STAL-RBLANK-1950-B (1950mm long)

Rail dimensions: 30mm high x 10mm wide

Custom drilling of rail holes enables flexibility for unique install situations where pre-drilled rails do not suit.

Enables drilling for configurations such as PANEL > DOOR > PANEL

Drill holes in rail to be 10mm diameter






STAL HARDWARE GUIDE

WALL BRACKET OPTIONS

in 90°  **Wall bracket**
MATT BLACK
SOLID BRASS
 Order code: **PN-WB**
 Wall bracket - Use to install fixed glass panels to wall

OR


in 90°  **Offset wall Bracket**
MATT BLACK
SOLID BRASS
 Order code: **PN-WB-O**
 Install fixed glass panels to wall

in 90°  **Slimline rail Wall bracket**
MATT BLACK
SS304
 Order code: **STAL-RWBS-B**
 Only required if using a 650mm wide modular fixed glass panel

SEALS, BUMPERS & WATER BARS

in 90°  **Door bumper Stopper**
PVC - 2130MM L
 Order code: **STAL-D10-2130**
 Suits 10mm glass
 10mm bulb
 Prevents contact between glass door & wall

in 90°  **OPTIONAL Water seal**
PVC - 2130MM L
 Order code: **STAL-FP10-2130**
 Suits 10mm glass - 26mm L
 Flexible PVC fin - Reduce water escape between door & fixed panel

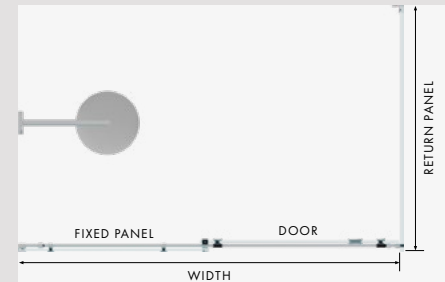
in 90°  **OPTIONAL Water bar**
MATT BLACK ALUMINIUM
 Order code: **P-BAR12-2000-B**
 Silicon to floor in front of door
 Dimension: 6mm H x 12mm W x 2000mm L
 Easily cut to size as required


OPTIONAL EXTRAS


90°  **90° bracket**
MATT BLACK - SS304
 Order code: **STAL-90J-B**
 Required when installing with a glass return panel
 2 x modular glass return panel sizes available or custom make glass as needed

Return panel measuring tips

- Return panel width measured from wall to front face of front/fixed inline panel
- If using a wall bracket to affix return panel to wall, a deduction needs to be made to the glass return panel width to allow for bracket gap (commonly 3 to 5mm)
- When measuring width of fixed panel and door panel when using a return panel, width is measured from wall to inside edge of 10mm thick return panel



 **Rail connector**
MATT BLACK - SS304
 Order code: **STAL-RC-B**
 Used for extra fixings to stainless steel rail.
 Example: If fabricating a 3 panel set up
FIXED PANEL > DOOR > FIXED PANEL


 **Bostik 6s silicone**
300g TUBE
 Order code: **P-S-6S**
 Translucent finish
 High performance neutral cure silicone sealant with mould inhibitor

OR  **Soudal silicone**
TRANSLUCENT
300g TUBE
 Order code: **SOUD-KBS-TRANS**
 Translucent finish
 High performance neutral cure silicone

 **Enduroshield kit**
 Order code: **ENDURO-GC-125**
Kit includes:
 125m EnduroShield Glass Home Surface Treatment
 250ml EnduroClean Pre-Cleaner
 Fine Steel Wool & Polishing Cloth
 Instructions (Step by Step)
 3 Year limited warranty

COVERS UP TO 85QM

 **Clear setting blocks**
PACK OF 100
 Order code: **P-SB**
 1.5mm x 12mm x 50mm High
 Use to sit fixed glass panels on (use in conjunction with silicone)

 **Ultraloc threadlocker**
3242 compound
10ml BOTTLE
 Order code: **ULTRALOC-3242**
 Medium strength removable grade threadlocking compound



STAL SLIDING SHOWER SYSTEM

With our range of modular glass panels and hardware, installing the STÄL system into widths from 1200mm wide up to 1940mm wide is easy.

The STÄL system of hardware and glass allows a complete system install at a huge cost saving to custom made glass.

Our showerscreen catalogue provides detailed guidance on the modular panels available and exact overlaps of the door and fixed panels as well as entry widths into the shower opening. This detailed information gives you the confidence to know all details prior to commencing an installation.

The below table provides a quick guide as to opening widths and what hardware and glass is required.

*NOTE: Table below lists polished product codes as a guide only

CODE	OVERALL WIDTH (mm)							
	1200-1240	1240-1340	1340-1440	1440-1540	1540-1640	1640-1740	1740-1840	1840-1940
STAL-D-0600	✓							
STAL-F-0650	✓	✓						
STAL-D-0700		✓	✓					
STAL-F-0750			✓	✓				
STAL-D-0800				✓	✓			
STAL-F-0850					✓	✓		
STAL-D-0900						✓	✓	
STAL-F-0950							✓	✓
STAL-D-1000								✓
STAL-KIT	✓	✓	✓	✓	✓	✓	✓	✓
P-WB	x2	x2	x2	x2	x2	x2	x2	x2
STAL-D10-2130	✓	✓	✓	✓	✓	✓	✓	✓
STAL-RAIL-1650	✓	✓	✓	✓				
STAL-RAIL-1950					✓	✓	✓	✓
STAL-RWBS	✓	✓						
SILICON	✓	✓	✓	✓	✓	✓	✓	✓
ULTRALOC-3242	✓	✓	✓	✓	✓	✓	✓	✓

For full glass layout specifications, refer Glass Shower Screen Systems catalogue



IMPORTANT

Apply Ultraloc 3242 or equivalent to screw thread and allow 24 hours for full cure.

Do not use shower during this time.

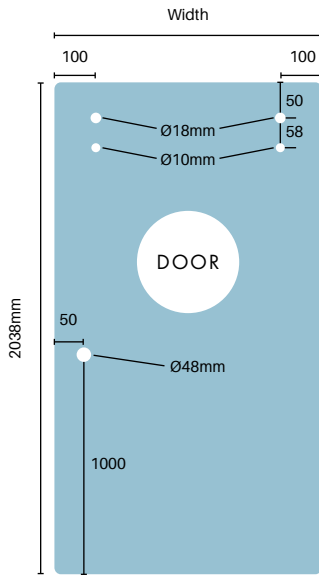
Ultraloc 3242 aids in prevention of the chance of screw loosening resulting in glass door dropping.



STAL SLIDING SHOWER SYSTEM

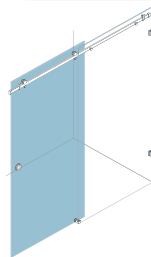
10mm clear toughened glass; 2mm radius corners

Every panel individually packed in cardboard with pre-drilled holes; ready for installation

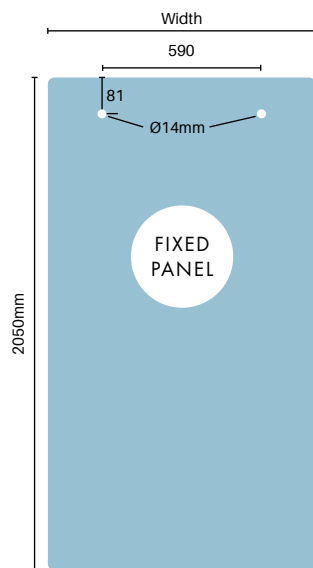


DOOR PANELS

Order Code	Width	Height	Thickness	Sqm	Weight
STAL-D-0600	600mm	2038mm	10mm	1.22	31kg
STAL-D-0700	700mm	2038mm	10mm	1.42	36kg
STAL-D-0800	800mm	2038mm	10mm	1.63	41kg
STAL-D-0900	900mm	2038mm	10mm	1.83	46kg
STAL-D-1000	1000mm	2038mm	10mm	2.04	51kg

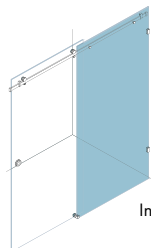


Interchangeable - left or right side

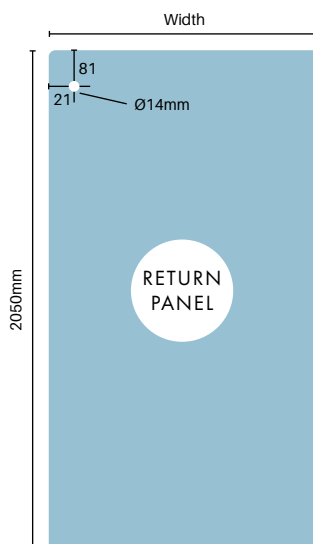


FIXED PANELS

Order Code	Width	Height	Thickness	Sqm	Weight
STAL-F-0650	650mm	2050mm	10mm	1.33	33kg
STAL-F-0750	750mm	2050mm	10mm	1.54	38kg
STAL-F-0850	850mm	2050mm	10mm	1.74	44kg
STAL-F-0950	950mm	2050mm	10mm	1.95	49kg

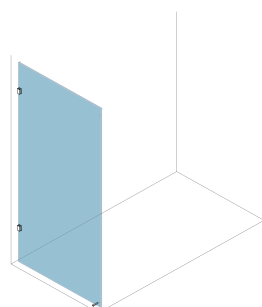


Interchangeable - left or right side



RETURN PANELS

Order Code	Width	Height	Thickness	Sqm	Weight
STAL-R-0897	897mm	2050mm	10mm	1.84	46kg
STAL-R-1197	1197mm	2050mm	10mm	2.45	61kg



Interchangeable - left or right side

Achieve any installation size from 1200mm wide to 1940mm wide with modular panels or custom made glass.
For full specifications, refer Glass Shower Screen Systems catalogue

Mix and match system!
 5x modular door panels
 4x modular fixed panels
 2x modular return panels

Superior quality
 glass & hardware

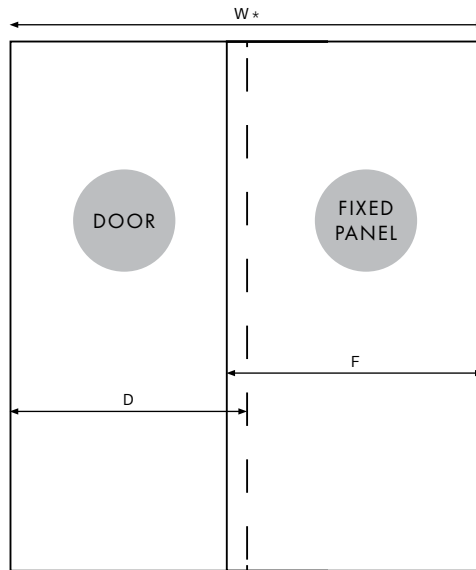


STAL CUSTOM GLASS SPECIFICATION

Our modular STÄL range of glass provides solutions for most installation situations.

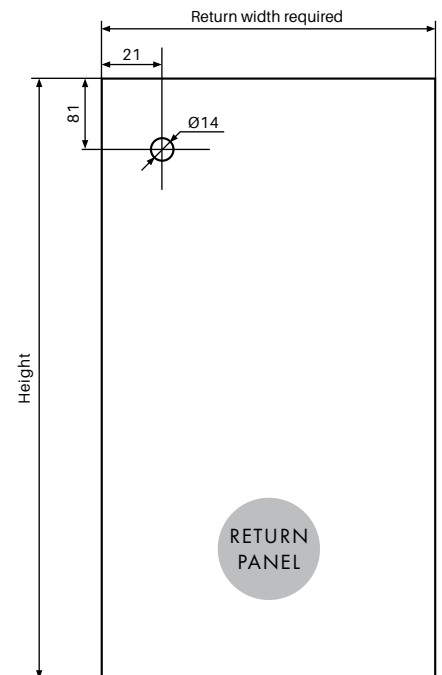
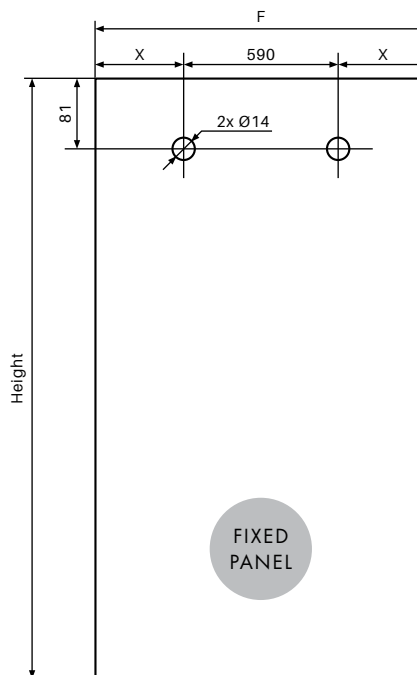
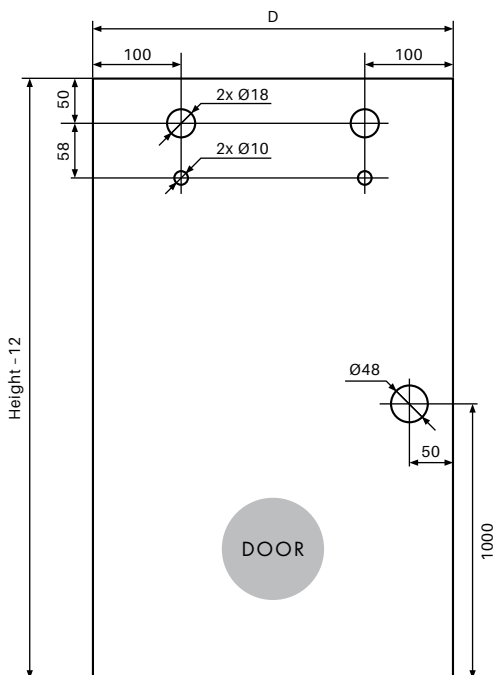
If modular glass is not suitable for your job, the STÄL hardware can be used with custom made 10mm toughened glass. The specifications below provide guidance for ordering custom made glass panels.

INLINE APPLICATION



- W: WIDTH*
- F: FIXED PANEL
- D: DOOR
- W=1200 to 1940mm
- $F = (W \div 2) + 40\text{mm}$
- $D = W \div 2$

*Width is commonly the smallest overall opening size between 2 walls



$X = (F - 590) \div 2$

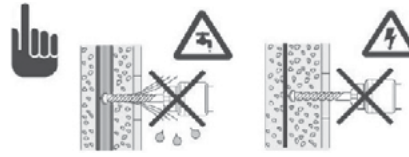


STAL INLINE INSTALLATION GUIDE

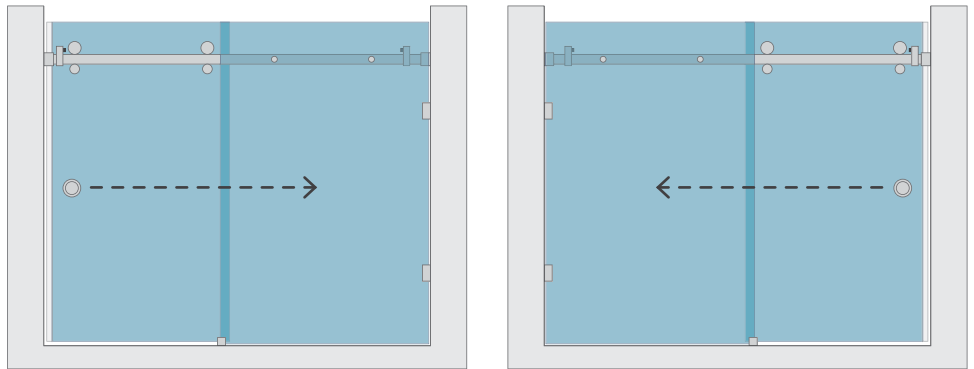
TOOLS REQUIRED

- Cordless drill
- Ø8mm masonry drill bit
- Hacksaw
- Screwdriver
- Pencil
- Tape measure
- Level
- Silicone gun

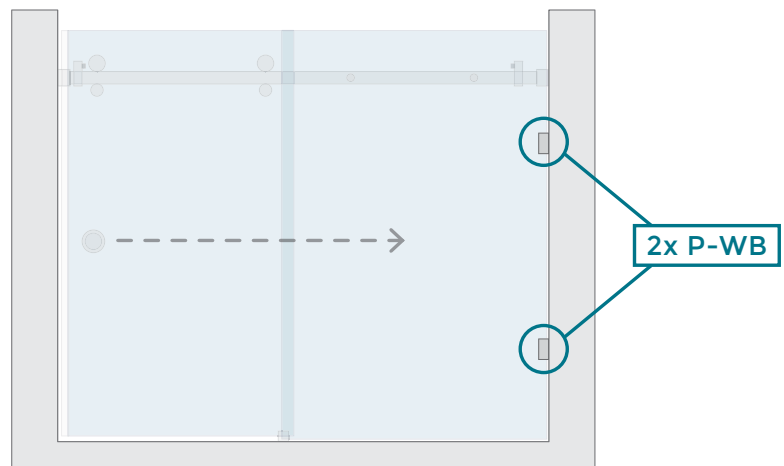
CAUTION!



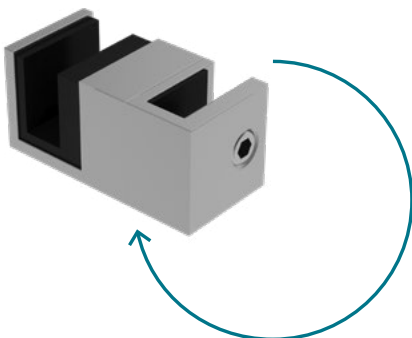
- 1** Select left or right handing of door panel



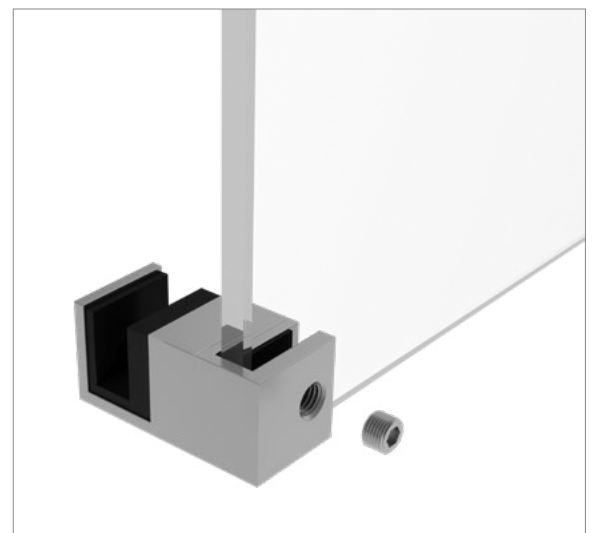
- 2** Fit the two fixed panel wall brackets (P-WB) to the opposite wall to the door opening



- 3** Rotate the floor guide to suit left or right handing door opening



- 4** Using the grub screw, attach the floor guide to the bottom leading corner of the fixed panel

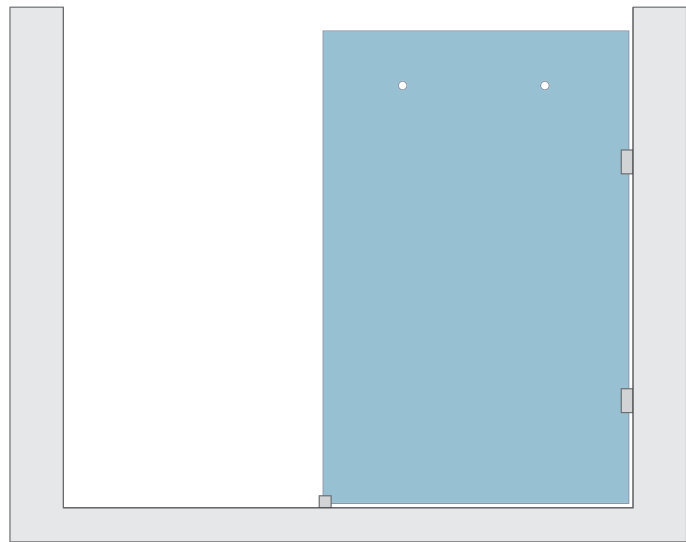
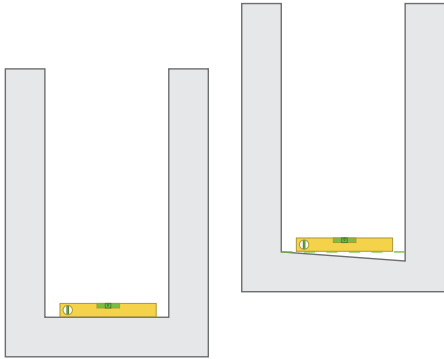




STAL INLINE INSTALLATION GUIDE

5 Fit fixed panel to wall brackets

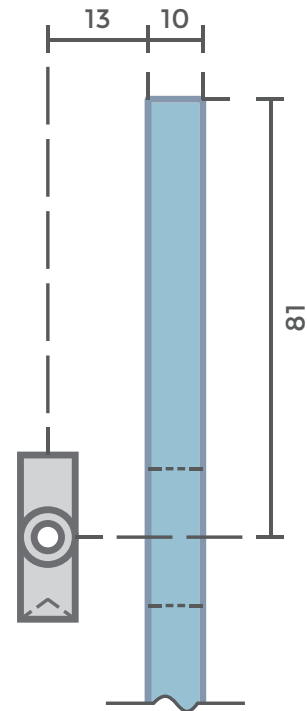
NOTE: Check floor level. If floor is not level, fit glass ensuring it is level to the highest side



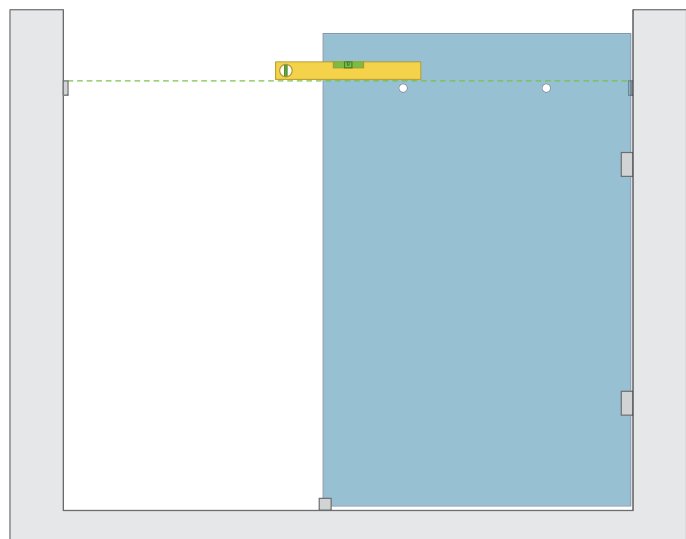
6 Fit the internal block of the first wall bracket inline with the fixed panel top holes



INSIDE SHOWER



7 Fit the internal block of the second wall bracket to opposite wall ensuring it is level with the first block





STAL INLINE INSTALLATION GUIDE

8

Cut both ends of rail to suit width between wall bracket blocks

NOTE: Cut fixed panel end first ensuring the holes in rail line up with the holes in glass fixed panel



9

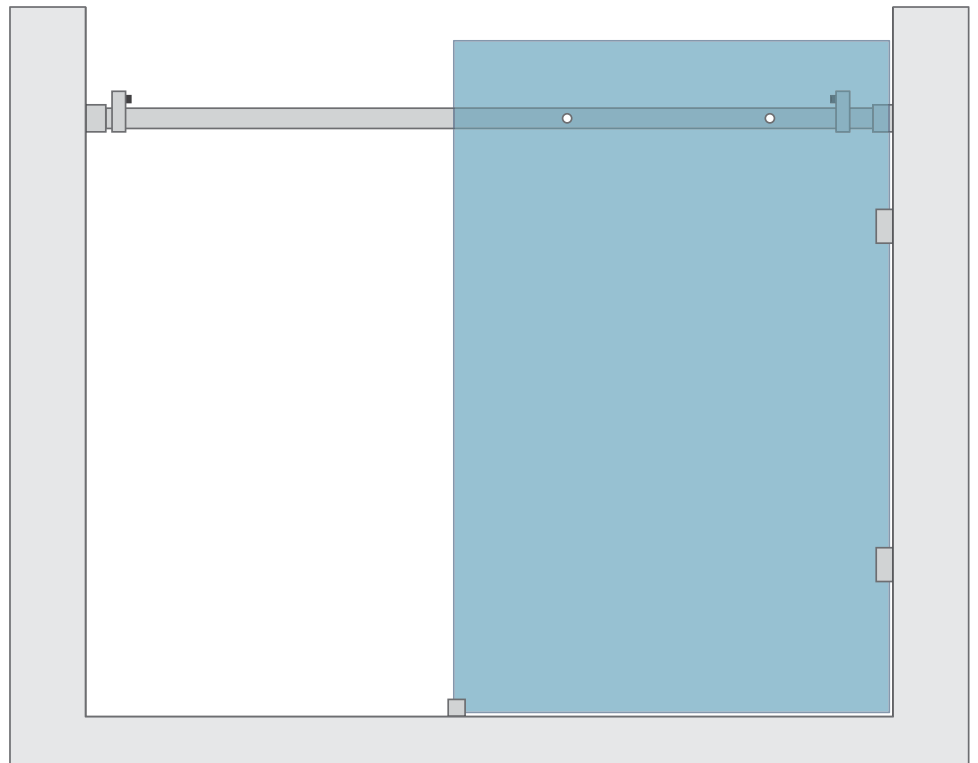
Slide 2x stoppers and 2x wall bracket sleeves onto rail before fitting to blocks

NOTE: Select the slimline rail wall bracket on the fixed panel side if using a 650mm W fixed panel



10

Attach rail to wall brackets by sliding wall bracket outer sleeves over the wall blocks and secure with grub screws



11

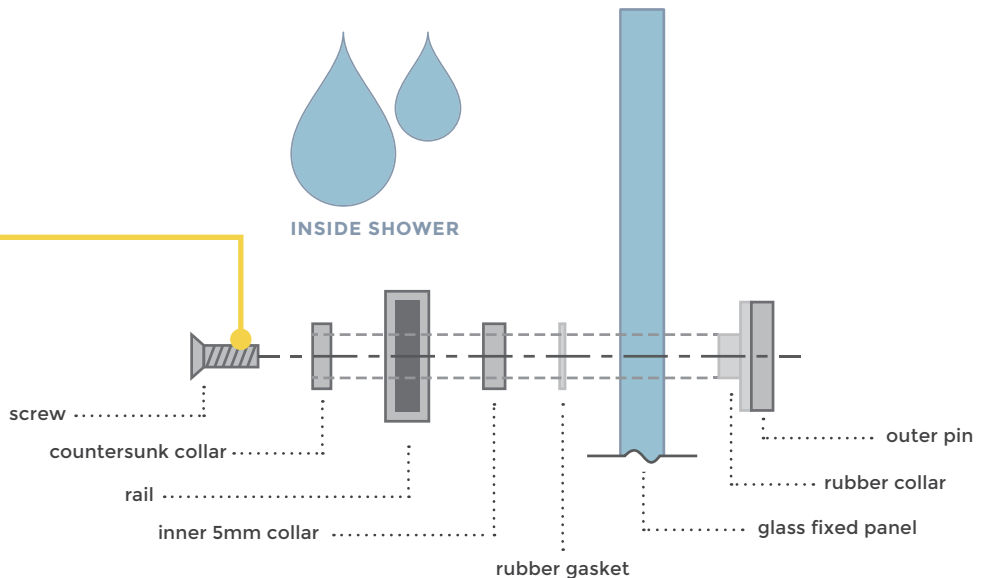
Attach fixed rail connectors to connect rail to fixed glass panel

IMPORTANT

Apply Ultraloc 3242 or equivalent to screw thread and allow 24 hours for full cure.

Do not use shower during this time.

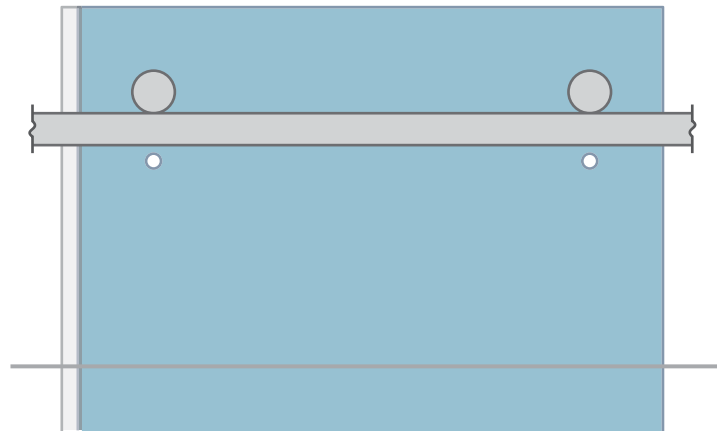
Ultraloc 3242 aids in prevention of the chance of screw loosening resulting in rail and glass door dropping.





STAL INLINE INSTALLATION GUIDE

- 12** Fit 2x rollers to door facing out
 Fit door bumper to leading door edge
 Hang door on rail while fitting bottom edge into floor guide and adjust level
 Ensure the locking hex screws are engaged on both rollers



IMPORTANT

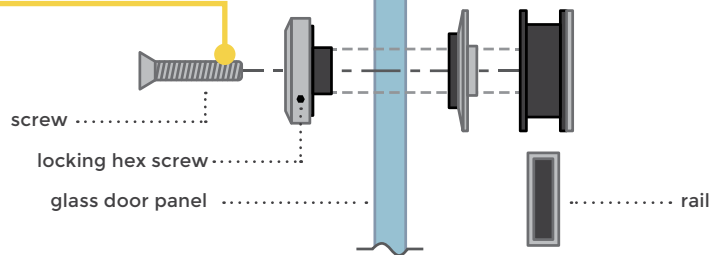
Apply Ultraloc 3242 or equivalent to screw thread and allow 24 hours for full cure.

Do not use shower during this time.

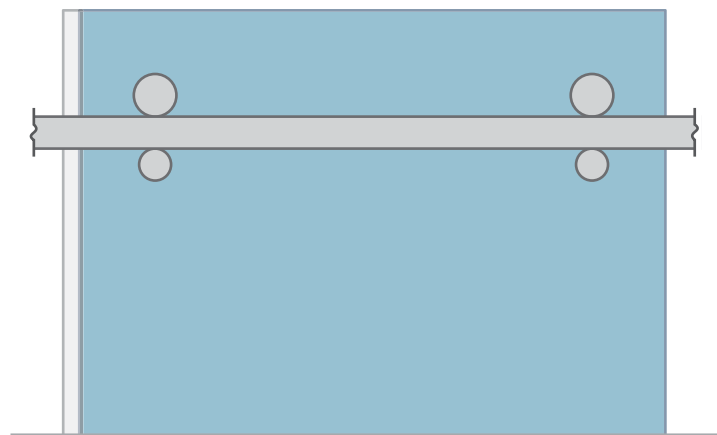
Ultraloc 3242 aids in prevention of the chance of screw loosening resulting in glass door dropping.



INSIDE SHOWER



- 13** Fit door stabiliser guides to door and adjust to prevent door from lifting off rail



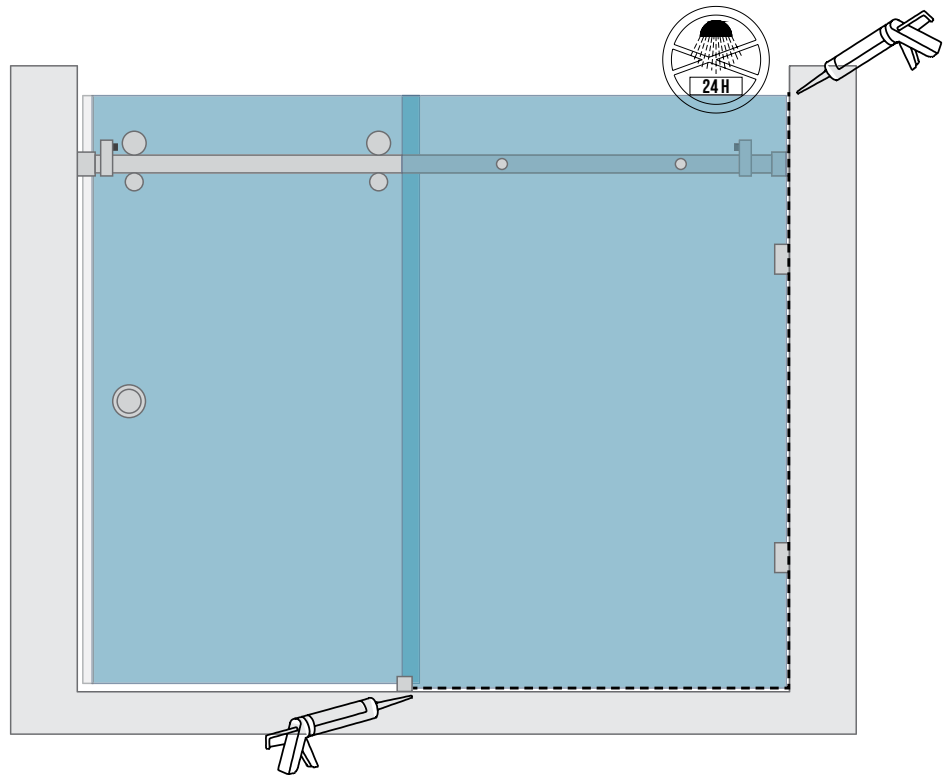
- 14** Fit recessed handle to door



STAL INLINE INSTALLATION GUIDE

15

Silicone fixed panel into place



ongoing maintenance & care

.....
Periodic checks (quarterly) must be undertaken to check the installation integrity.

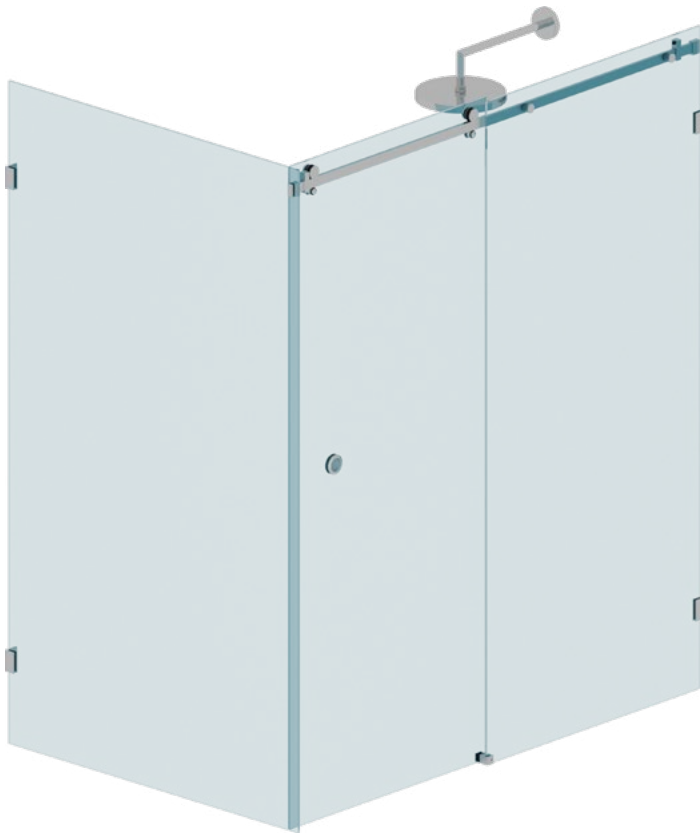
- Ensure glass door continues to run true and is not touching the ground or wall
- Check fixing screws through rollers are tight

In high use applications particularly, ongoing maintenance and review is critical.





STAL RETURN INSTALLATION GUIDE



RETURN COMPONENTS

WALL BRACKET x2

- Chrome plated solid brass
- Use to install fixed glass panels to wall

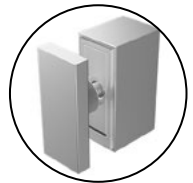
Code: P-WB



90° GLASS BRACKET x1

- Polish finish SS304
- Required when installing with a glass return panel

Code: STAL-90J



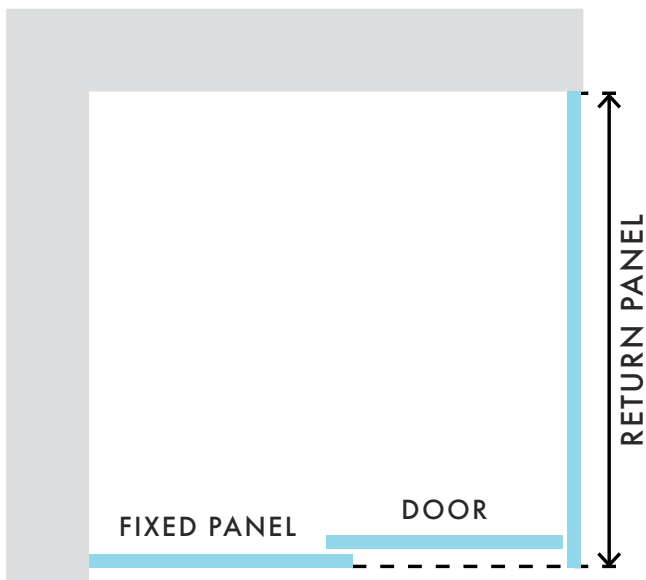
SOUDAL SILICONE

- 300g tube
- Translucent finish
- High performance neutral cure silicone sealant with mould inhibitor

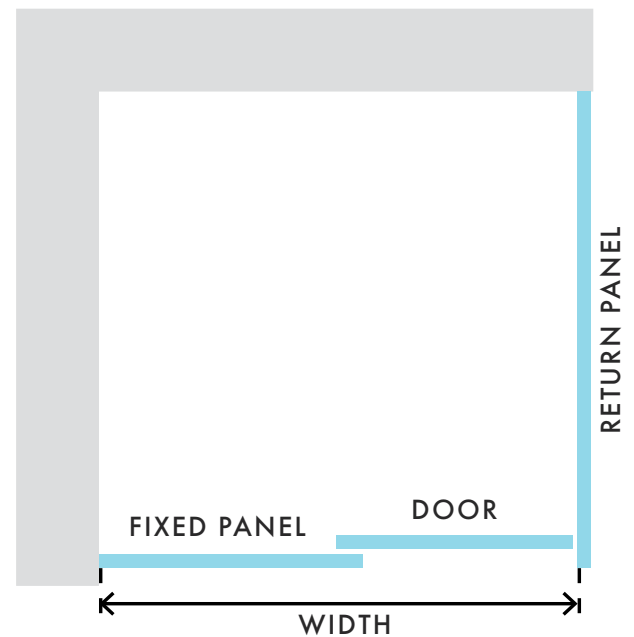
Code: SOUD-KBS-TRANS



RETURN PANEL MEASURING TIPS



- Return panel width measured from wall to front face of front/ fixed inline panel
- If using a wall bracket to affix return panel to wall, a deduction needs to be made to the glass return panel width to allow for bracket gap (commonly 3mm to 5mm)



- When measuring "W" for a configuration with a return panel, width is measured from wall to inside edge of 10mm thick return panel

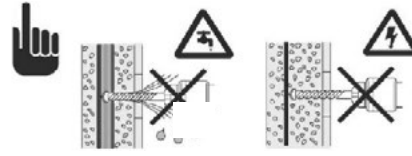


STAL RETURN INSTALLATION GUIDE

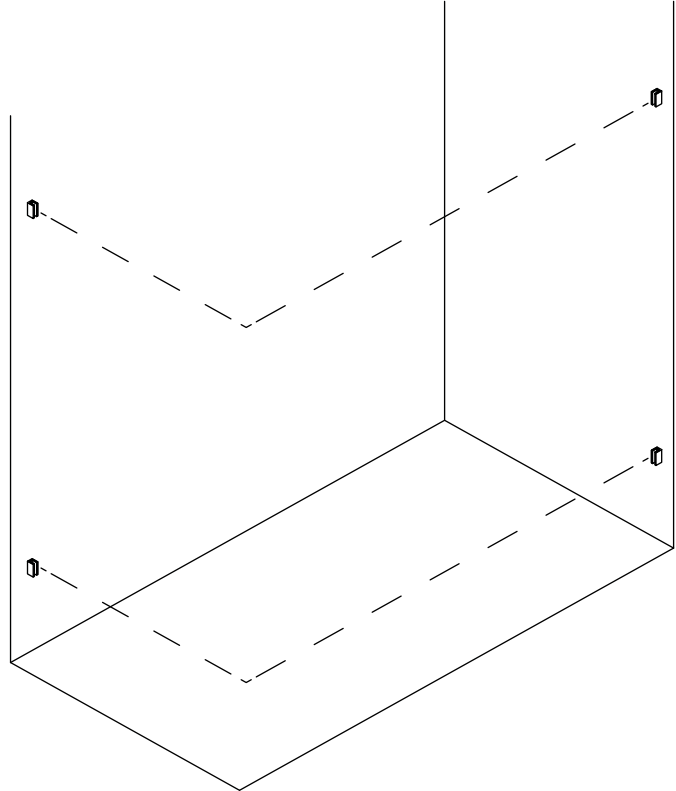
TOOLS REQUIRED

- Cordless drill
- Ø8mm masonry drill bit
- Hacksaw
- Screwdriver
- Pencil
- Tape measure
- Level
- Silicone gun

CAUTION!

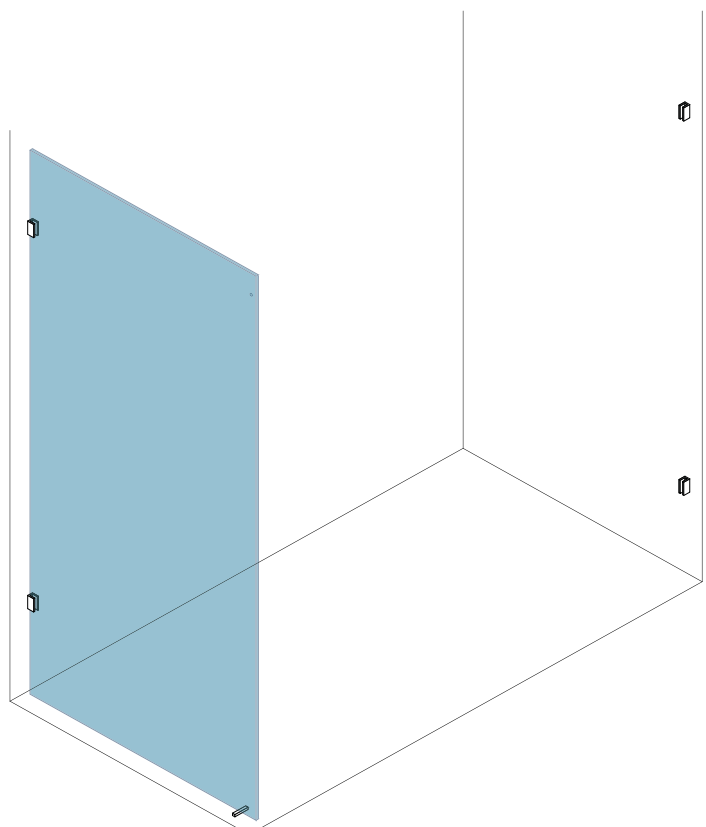
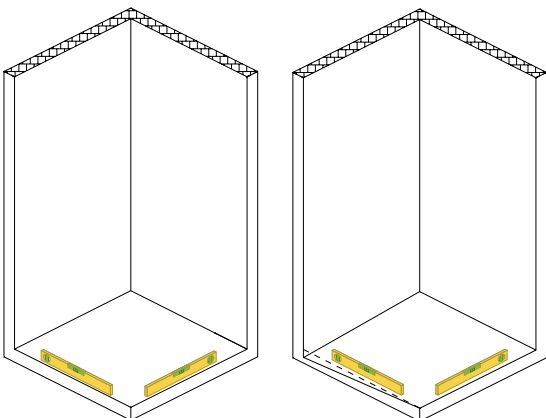


- 1** Fit return panel wall brackets at the same height as fixed panel wall brackets



- 2** Fit return panel to wall brackets and pack leading edge to avoid glass on tile

NOTE: Check floor level. If floor is not level, fit glass ensuring it is level to the highest side





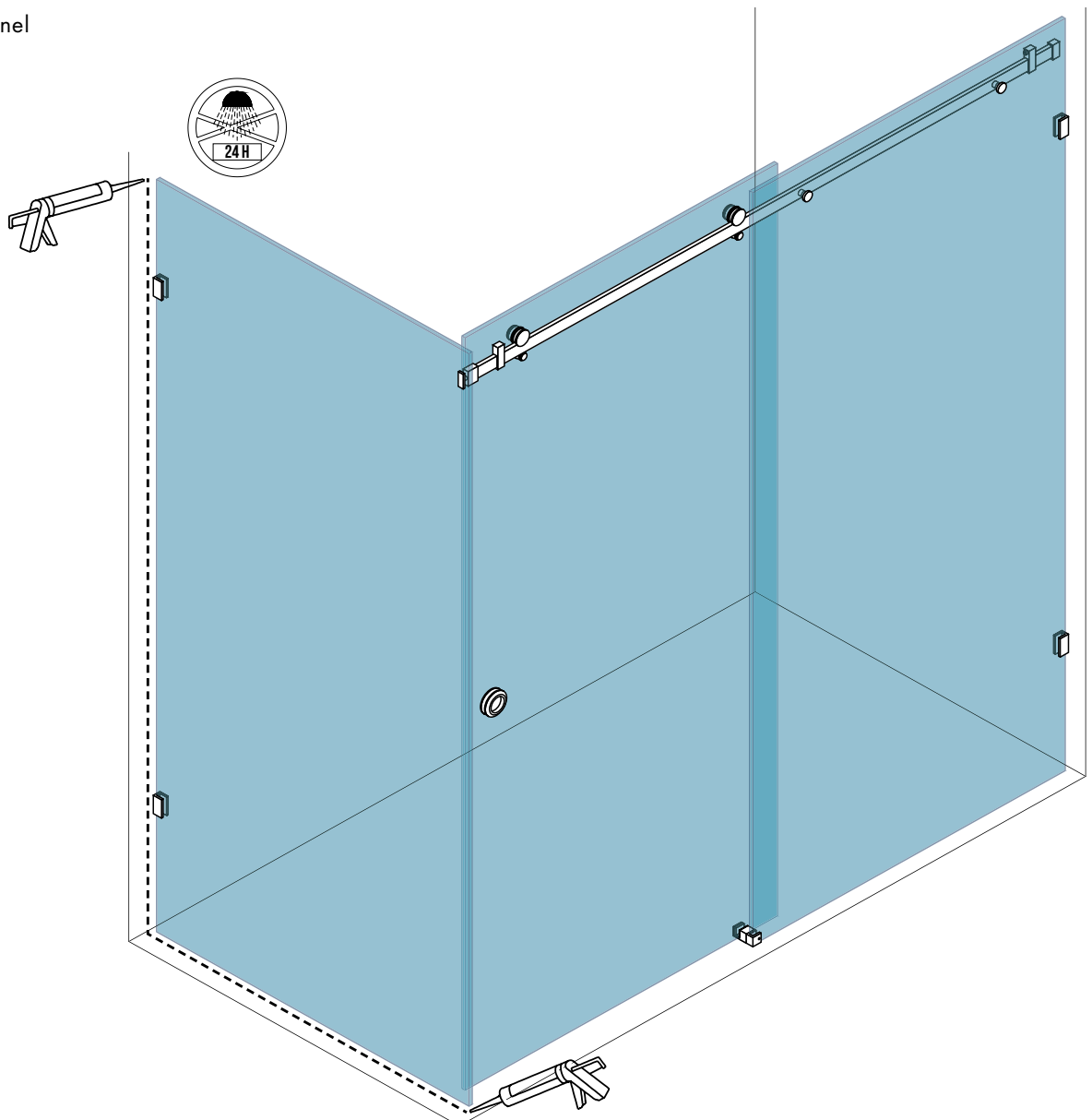
STAL RETURN INSTALLATION GUIDE

- 3 Fit 90° bracket to return panel



See inline installation steps 1-14

- 4 Silicone return panel





Errors and omissions excepted. Measurements and drawings are provided as a guide only and should not be relied upon solely for installation purposes.

Product codes, products and prices may change at GO's discretion as systems are constantly reviewed and updated. Please contact GO if you require clarification of product codes, pricing or product stocking.

Due to each installation situation being different, it is the installer's responsibility to seek engineering compliance and/or certification should it be required as part of a project, regulatory or statutory requirement.

Colours are indicative and should be used as a guide only. All products should adhere to a suitable care and maintenance schedule.

©Copyright 2020. This catalogue is the copyright of GO and cannot be reproduced, copied or replicated without the prior written consent of GO. Such consent applies to images as well as text.

GO Sliding Rails Systems Catalogue Version 1

