



DECK JACKS



Overview

Deck Jacks is a new and innovative subfloor framing system. Deck jacks are easy to install and are height adjustable allowing fast and simple levelling onto which decking can be installed. Deck jacks are extremely strong and have been load tested. This innovative product is a revolution in decking installation saving time and money.

Decking has traditionally been laid onto timber subframe joists and bearers which are expensive and time consuming to construct. The new alternative is using height adjustable deck jacks to which aluminium extrusion joists are affixed creating a sturdy subfloor framing. Solid timber joists may also be used with deck jacks.



KEY FEATURES OF DECK JACKS



HEIGHT ADJUSTABLE

Simply rotate the deck jacks to raise and lower which enables precision setting of heights. Achieve heights from finished floor between 20mm up to 100mm. An extender is available to achieve greater heights if required.



COMPLETE SYSTEM & FAST INSTALLATION

Simply position deck jacks in a grid layout ready for aluminium or timber joists to be affixed.

Complete system including deck jacks, aluminium joists and fasteners to suit solid timber or composite decking installation.



IDEAL FOR WATERPROOF MEMBRANES

Deck jacks 'float' and are positioned on a substrate. They are not screw fixed or glued down. As such, waterproof membrane is not penetrated. If required in future, decking can be removed and deck jacks can be simply uplifted if subfloor services require accessing. Ideal for body corporate install situations such as balconies and roof terraces.



ENGINEERED FOR COMPLIANCE

Deck jacks are high strength and have been certified having regard to AS/NZS 1170.0:2002; AS/NZS 1170.1:2002 and NCC2019.

Aluminium joists provided by us are also certified for compliance.

Contact us for full engineering and compliance information.



USE WITH A VARIETY OF MATERIALS

Composite decking and solid timber decking may be installed with deck jacks.

Deck jacks can be used in construction of rooftop terraces, pool surrounds, balconies, patios, verandas and pedestrian walkways.

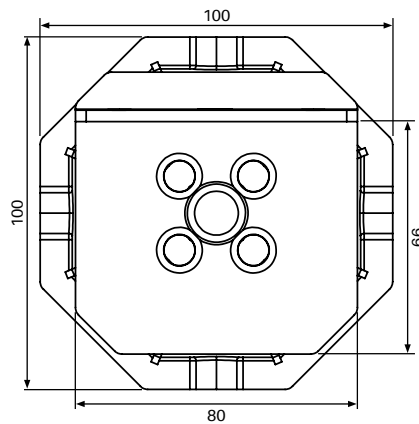
*Structural tiles may also be installed with deck jacks – ***extra parts are required for tile installations and will be released by us in future****



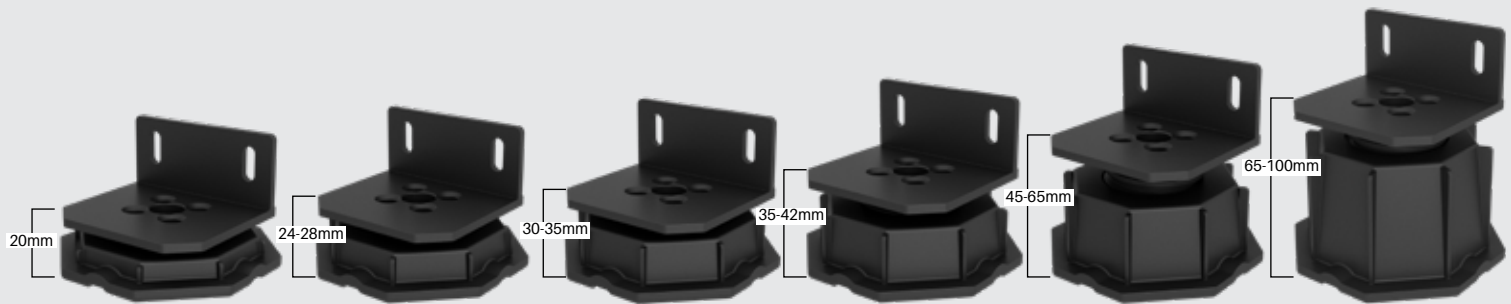
DECK JACKS

MATERIAL: Polypropylene
COLOUR: Black

- 1) 100mm wide base internally threaded. Designed to maximise strength and stability. Base does not require screw fixing or gluing to finished floor/membrane
- 2) Drain holes incorporated into base
- 3) Internal thread allows joist support cradle or 60mm spacer/extender to be securely screwed in
- 4) External thread on joist support bracket. Thread specially designed to enable slight tilt adjustment under load so that self levelling is automatically built in.
- 5) Joist support bracket cradle onto which aluminium, steel or timber joists are positioned
- 6) 35mm high backrest for joists to fit against
- 7) 7mm wide x 17mm high elongated holes through which screws laterally fix off joists



- Height adjustable from 20mm to 100mm
- 60mm high spacer/extender available
- Very strong and light weight
- Simply place deck jacks on substrate - does not need screwing down or gluing
- Recommended at 450mm centres: most common joist spacing in Australia
- Span between deck jacks up to 1200mm apart - contact us for engineering information
- Simply fix aluminium joists or timber joists to deck jacks to complete subframe system
- Ideal for installation with composite decking or genuine timber decking
- Fast and easy to install system



1
Deck Jack
20mm high
Black
Order Code: **DJ-20**

2
Deck Jack
24mm high
Black
Order Code: **DJ-24**
(adjustable height from 24mm to 28mm)

3
Deck Jack
30mm high
Black
Order Code: **DJ-30**
(adjustable height from 30mm to 35mm)

4
Deck Jack
35mm high
Black
Order Code: **DJ-35**
(adjustable height from 35mm to 42mm)

5
Deck Jack
45mm high
Black
Order Code: **DJ-45**
(adjustable height from 45mm to 65mm)

6
Deck Jack
65mm high
Black
Order Code: **DJ-65**
(adjustable height from 65mm to 100mm)



DECK JACKS

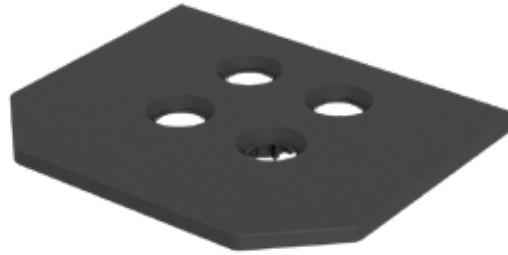
3mm Packer

Order Code: DJ-PACKER-3MM

MATERIAL: Polypropylene

COLOUR: Black

- 3mm thick packer suits all deck jacks
- Simply press down into deck jack joist support bracket - 3mm packer matches deck jack profile
- Use for final height adjustments if required prior to joist installation



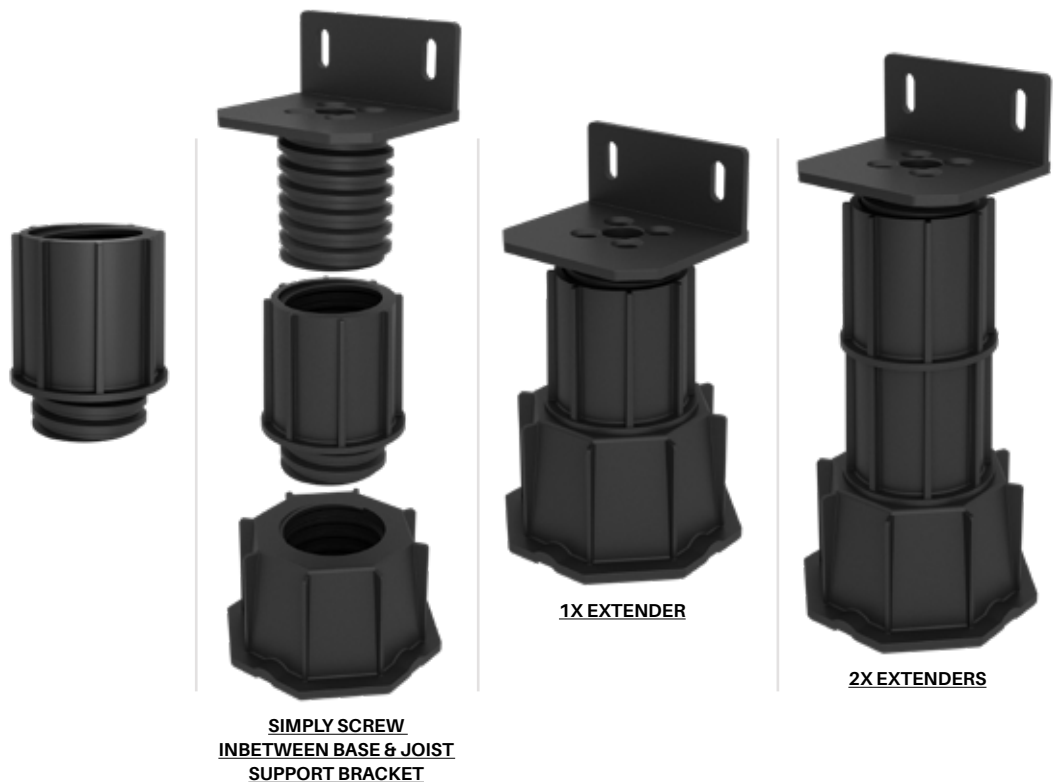
Spacer/Extender

Order Code: DJ-SPACER-60

MATERIAL: Polypropylene

COLOUR: Black

- Height extender adds 60mm to deck jacks
- Simply screw in between deck jack base and joist support bracket
- Use with all deck jacks (except DJ-20 & DJ-24 which cannot be used with extenders)
- 2 x extenders may be used adding up to 120mm in height - contact us for Certificate of Compliance information
- Extender is internally threaded at top with external thread at bottom allowing for easy and fast integration with deck jacks



Tek Screw – Stainless Steel 304

Pack of 50

Order Code: SS-TS-50-SS304

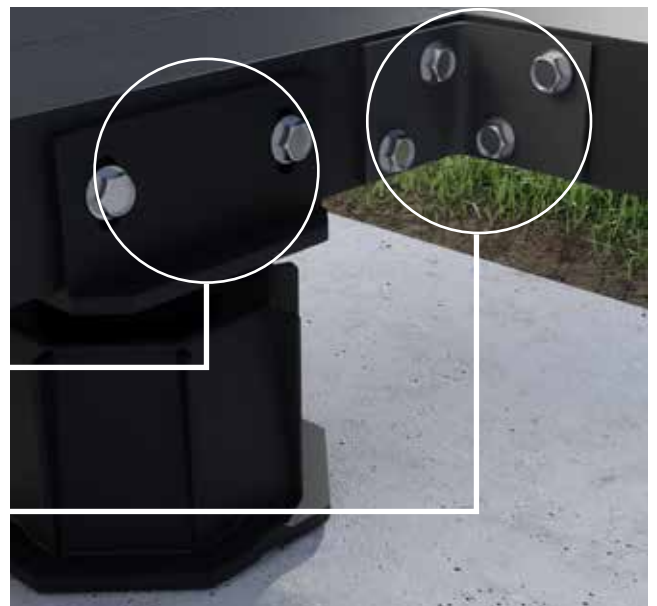
- 12G x 20mm hex flange self drilling screw
- Stainless steel 304 grade
- Hex flange head enables fast and easy screwing.
- Use for screw fixing aluminium joists through side holes in deck jack joist support brackets
- Not suitable for screw fixing timber or steel joists - seek appropriate fasteners



50 PACK

LATERALLY FIX OFF JOISTS
THROUGH SIDE HOLES IN
JOIST SUPPORT BRACKET

FIX OFF ANGLE BRACKETS
TO ADJACENT JOISTS
IF 'PICTURE FRAMING'
PERIMETER





ALUMINIUM JOISTS

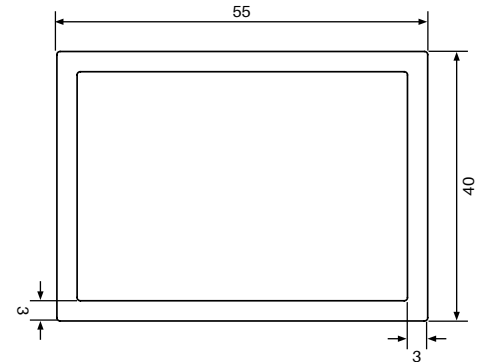
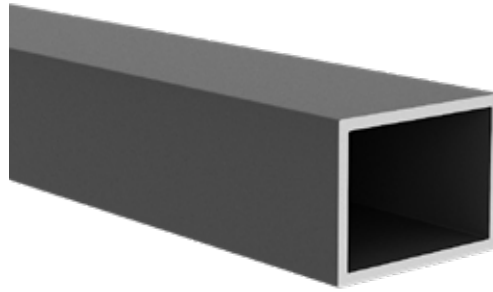
55x40x3mm Aluminium Joist

5500mm long

Order Code: TD-5500-RHS-B

- 55x40x3mm aluminium joist : alloy 6060 T6
- 5500mm long powder coated satin black
- Aluminium joists span across deck jacks with decking then affixed to the aluminium joists
- Composite decking or solid timber decking may be affixed to aluminium joists
- Typically joists spaced apart at 450mm centres.
- Span between deck jacks up to 1200mm - typically spans of approx 600 to 900mm used in domestic applications.
- Screw fix through deck jack support bracket holes into aluminium joists. Recommended to use SS304 self drilling Tek screws (refer code: SS-TS-50-SS304

Contact us for Certificate of Compliance for design capacities of extruded aluminium joists referencing AS/NZS 1170.0:2002 ; AS/NZS 1170.1:2002; AS/NZS 1664.1:1997 and NC2019





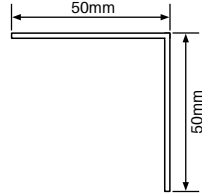
ALUMINIUM JOISTS

50x50x3mm Angle Bracket

4 pack

Order Code: TD-ANGLE-4PK

- 4 pack of 50x50x3mm aluminium angle 40mm high
- Powder coated black
- If a deck is not contained within 4 walls, such as a patio, it is recommended to 'picture frame' the joists so as to restrain the deck horizontally. A simple method is to butt 55x40x3mm joist extrusion to the 'open' end of the subframe and use angle brackets to fix together.
- Use SS304 self drilling Tek screws (refer code: SS-TS-50-SS304) to fix off angle to joists.



'Picture frame' ends if subframe not constrained between walls. Butt aluminium 55x40x3mm joist to ends of adjacent aluminium joists and secure in place with 40mm high angle





ALUMINIUM JOISTS

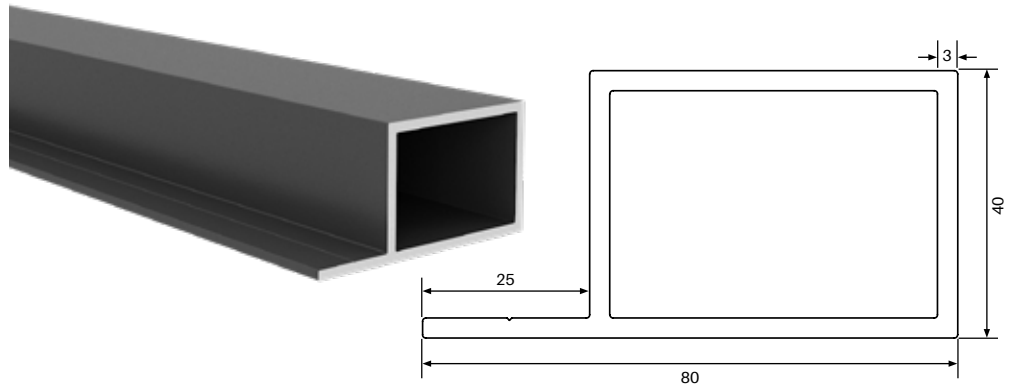
80x40x3mm Aluminium Joist with extended bottom flange leg

5500mm long

Order Code: TD-5500-F-B

- 80x40x3mm aluminium joist featuring a 25mm extended leg; alloy 6060 T6
- 5500mm long powder coated satin black
- Aluminium joist is anchored directly to concrete floor or other suitable substrate through extended leg. Deck jacks are not used with extended flange leg aluminium joist.
- Most decking products including genuine timber and composites make it mandatory to lay decking boards with a specified minimum distance above the floor/substrate. This aluminium joist enables installation with a minimum height of 40mm.
- Typically joists spaced apart at 450mm centres.
- As joist is affixed directly to floor/substrate, it can withstand very high loads.
- Use appropriate anchors (sold separately) having regard to floor/substrate

Contact us for Certificate of Compliance for design capacities of extruded aluminium joists referencing AS/NZS 1170.0:2002; AS/NZS 1170.1:2002; AS/NZS 1664.1:1997 and NC2019



Horseshoe Packers

20 PACK

Black finish

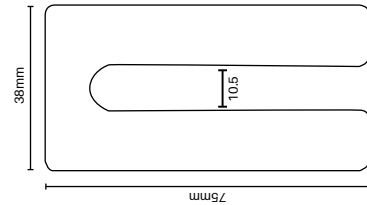
Order Code: HSP-75X38-1MM-20PK

1mm thick

HSP-75X38-3MM-20PK

3mm thick

- 38mm wide x 75mm long horseshoe packers
- 10.5mm slot
- Available in 1mm or 3mm thick (20 per pack)
- Durable black solid polypropylene
- Handy for levelling adjustments while installing
- Easy to cut down to required length

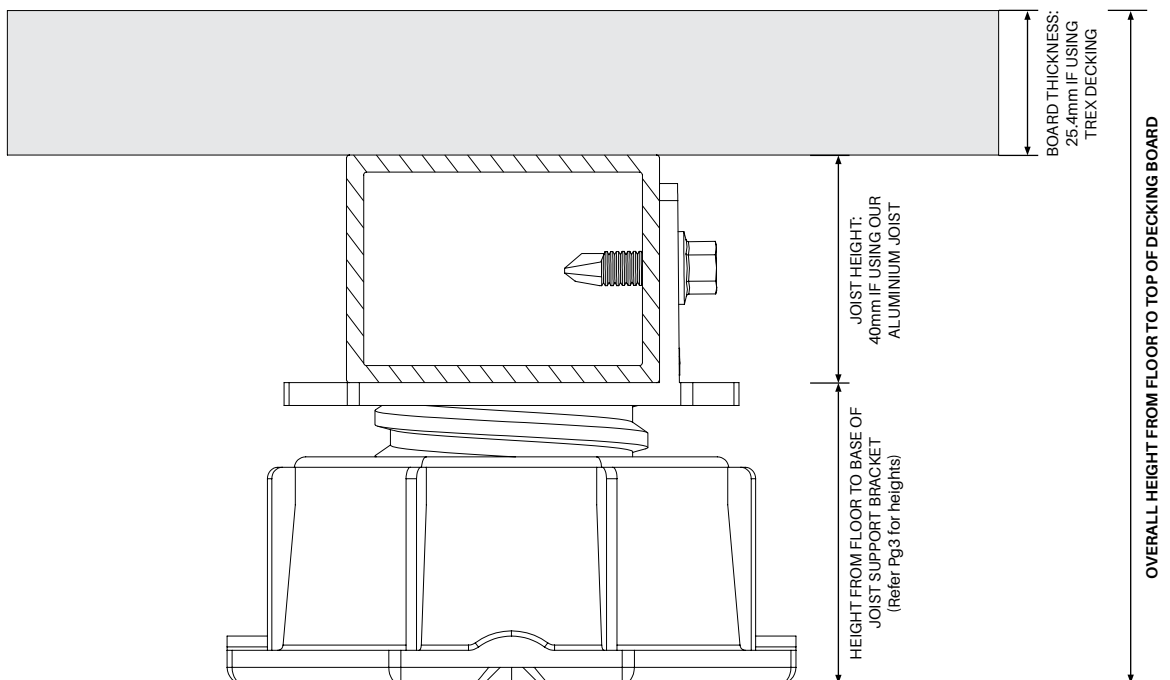
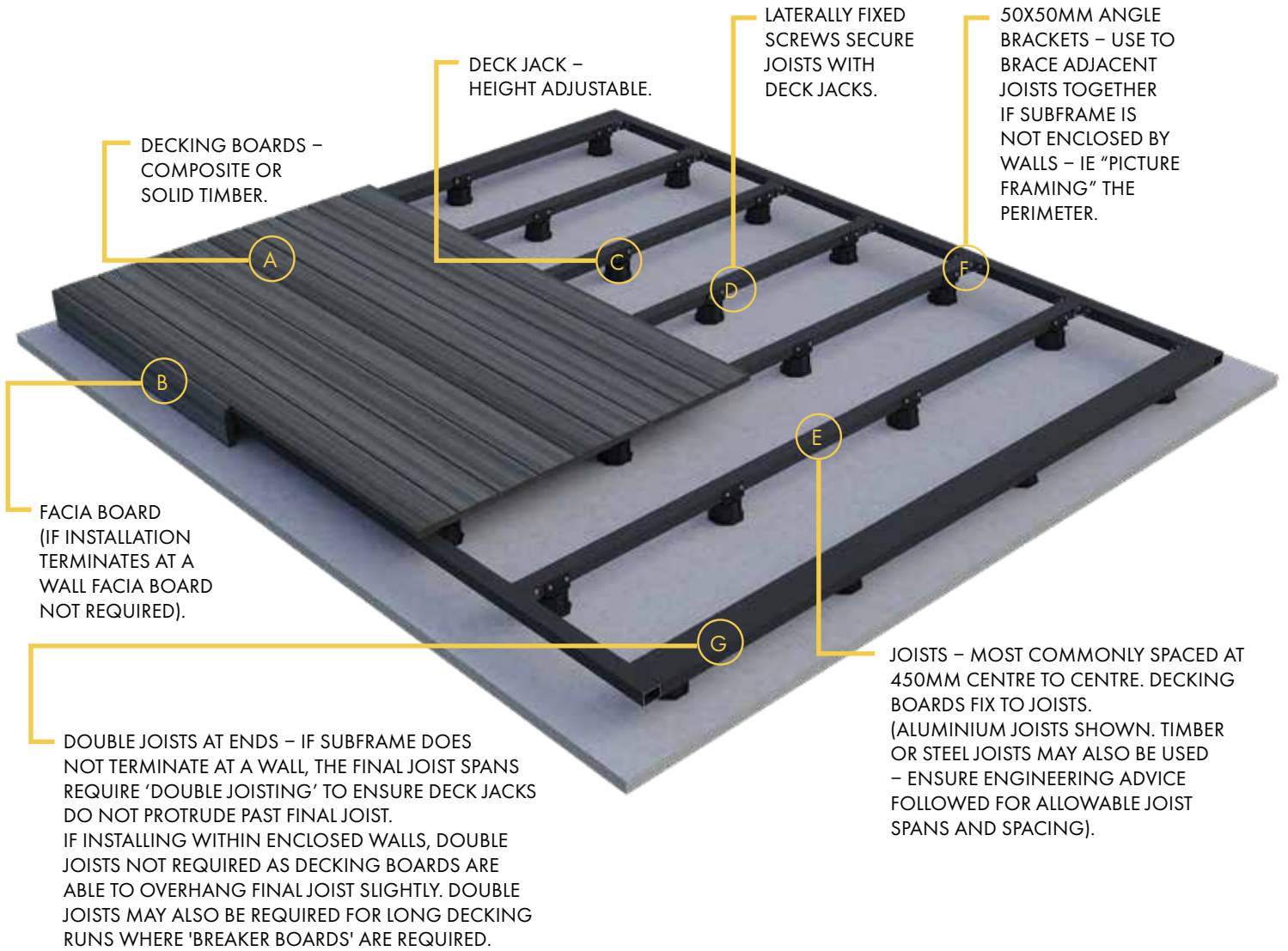


Available 1mm or 3mm thick





SYSTEM OVERVIEW



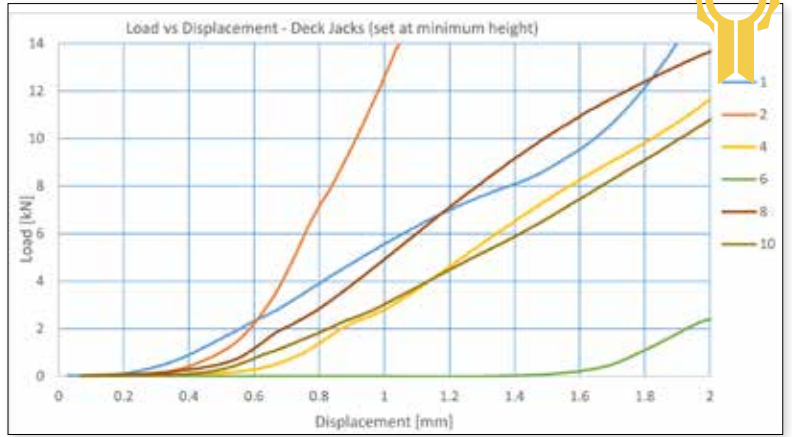


COMPLIANCE

Certification

Certificates of Compliance for Deck Jacks & Aluminium Joists. Contact us for engineering information.

Contact us for Certificate of Compliance for design capacities referencing AS/NZS 1170.0:2002; AS/NZS 1170.1:2002; AS/NZS 1664.1:1997 and NC2019





Errors and omissions excepted. Measurements and drawings are provided as a guide only and should not be relied upon solely for installation purposes.

Product codes, products and prices may change at GO's discretion as systems are constantly reviewed and updated. Please contact GO if you require clarification of product codes, pricing or product stocking.

Due to each installation situation being different, it is the installer's responsibility to seek engineering compliance and/or certification should it be required as part of a project, regulatory or statutory requirement.

Colours are indicative and should be used as a guide only. All products should adhere to a suitable care and maintenance schedule.

© Copyright 2022. This catalogue is the copyright of GO and cannot be reproduced, copied or replicated without the prior written consent of GO. Such consent applies to images as well as text.

Deck Jack catalogue Version 1.0